

Mi Vacuum Cleaner Light User Manual · 01

Mi Leicht Staubsauger Benutzerhandbuch · 17

Manuale utente Mi Vacuum Cleaner Light · 33

Manuel d'utilisation de Mi Vacuum Cleaner Light · 49

Manual de usuario de Mi Vacuum Cleaner Light · 65

Руководство пользователя Легкого пылесоса Mi · 81

Lekki odkurzacz Mi Instrukcja obsługi · 97

Mi Hafif Elektrikli Süpürge Kullanım Kılavuzu · 113

Посібник користувача легкої версії пилососу Mi · 129



Safety Instructions

This product is for household use only. Read this manual carefully before use, and retain it for future reference.

- This appliance can be used by children aged from 8 years and above and persons with reduced physical, sensory or mental capabilities or lack of experience and knowledge if they have been given supervision or instruction concerning use of the appliance in a safe way and understand the hazards involved. Children shall not play with the appliance. Cleaning and user maintenance shall not be made by children without supervision.
- The appliance is only to be used with the power supply unit provided with the appliance.
- This appliance contains batteries that are non-replaceable.
- If the power adapter is damaged, it must be replaced by a special cord or assembly available from the manufacturer or its service agent.
- The vacuum cleaner is not a toy. Children may not play with or operate this product. Please exercise caution when using the vacuum cleaner near children.
- Do not allow children to clean or maintain the vacuum cleaner unless supervised by a parent or guardian.
- Only use the vacuum cleaner on dry indoor surfaces. Do not install, charge, or use this product outdoors, such as in bathrooms, or near a pool.
- Do not touch the plug or any part of the vacuum cleaner with wet hands.
- To reduce the risk of fire, explosion, or personal injury, check to make sure the lithium-ion battery and charger are undamaged before use. Do not use the vacuum cleaner if either the battery or charger is damaged.
- The electric floor brush, extension rod, and the vacuum cleaner are electrically conductive and should not be immersed in water or other liquid. Make sure all parts are thoroughly dry after you carry out cleaning on them.
- To prevent injury caused by moving parts, turn off the vacuum cleaner before cleaning the Electric floor brush. The Electric floor brush, dust compartment, and filter must all be properly installed before using the vacuum cleaner.
- Do not use the vacuum cleaner to pick up flammable or combustible liquids, such as gasoline, bleach, ammonia, or drain cleaners; nor other liquids like water.
- Do not use the vacuum cleaner to pick up drywall particles, ashes like fireplace ash, or smoking or burning materials such as coal, cigarette butts or matches.
- Do not use the vacuum cleaner to pick up sharp or hard objects, such as glass, nails, screws, or coins, which may damage the product.
- Keep hair, loose clothing, fingers, and other parts of the body away from the vacuum cleaner's openings and moving parts. Do not point the suction opening, extension rod, or other accessories at your eyes or ears or put them in your mouth.

- Do not put any object into the vacuum cleaner's openings, nor use the vacuum cleaner with any opening blocked. Keep free of dust, lint, hair, or other items which may reduce airflow.
- Do not rest the vacuum cleaner against a chair, table, or other unstable surfaces, as this may cause damage to the product or personal injury. If the vacuum cleaner malfunctions because of being knocked over or damaged, please contact the authorized service department. Never attempt to disassemble the vacuum cleaner on your own.
- Only use the original charger to charge the product in environments with an ambient temperature of 0°C to 35°C. Otherwise, the battery may damage.
- The dust compartment cover, pre-filter, cyclone assembly, and HEPA filter must all be properly installed prior to using the vacuum cleaner.
- Make sure the vacuum cleaner is unplugged when not used for extended periods as well as prior to performing any maintenance or repairs.
- Please be extra careful when using the vacuum cleaner to clean stairs.
- **WARNING:** Do not apply any type of fragrance to the vacuum cleaner's filter. These types of products are known to contain flammable chemicals which may cause the vacuum cleaner to catch fire.
- DO NOT expose the appliance to fire as it may cause explosion.
- DO NOT expose or submerge the appliance in any water, salt water, or other liquids.
- Please strictly follow the instructions in this user manual when using the vacuum cleaner. Users are responsible for any loss or damage that may arise from improper use of the vacuum cleaner.
- For detailed e-manual, please go to www.mi.com/global/service/userguide



We Guangdong Deerma Technology Co., Ltd., hereby, declare that this equipment is in compliance with the applicable Directives and European Norms, and amendments. The full text of the EU declaration of conformity is available at the following internet address:

<http://www.mi.com/global/service/support/declaration.html>

Product Overview

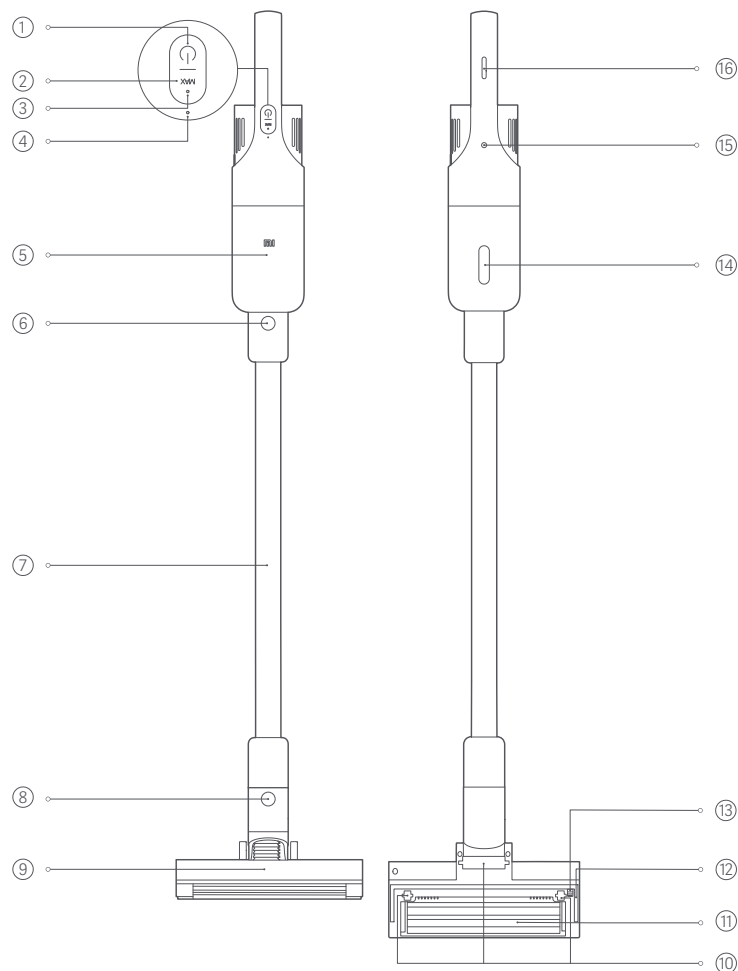
Equipped with a high-speed brushless motor, the Mi Vacuum Cleaner Light boasts the features including the powerful suction and a high-efficiency filtration system.

- High-speed brushless motor: Run rapidly with a stable output of strong suction for quick vacuuming.
- Powerful suction: Fast suction of small and large particles with high efficiency to deep clean the whole house.
- High-efficiency filtration: The cyclonic separation system which is composed of fine steel mesh, filter cotton, and a HEPA filter, separates the large particle dust from the fine dust, then traps the dust so that it doesn't come back out to prevent secondary pollutants.
- Lightweight and multi-purpose: The compact and lightweight vacuum cleaner works with accessories such as a light metal extension rod, electric floor brush, flat nozzle, and long nozzle to clean the whole house easily and efficiently.

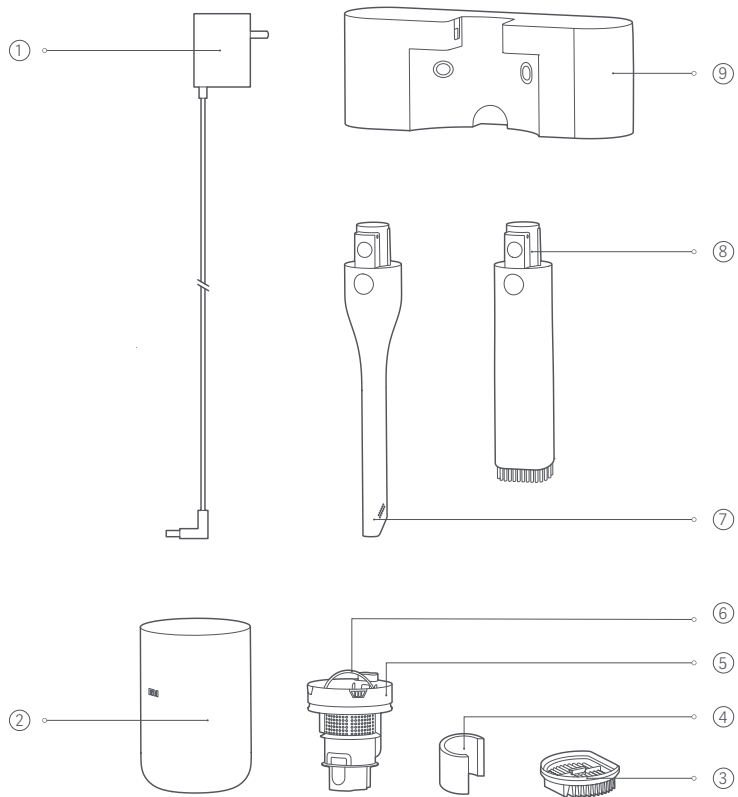
Package Contents

Name	Quantity
Vacuum cleaner	1
Extension rod	1
Electric floor brush	1
Flat nozzle	1
Long nozzle	1
User manual	1
Wall Mount	1
Power adapter	1
Wall plug	2
Screw	2

Product Overview



- | | | |
|--------------------------------|---------------------------------------|--------------------------------|
| ① On/Off Button | ② Suction Level Button | ③ MAX Indicator |
| ④ Battery Level Indicator | ⑤ Dust Compartment | ⑥ Extension Rod Release Button |
| ⑦ Extension Rod | ⑧ Electric Floor Brush Release Button | |
| ⑨ Floor Brush Window | ⑩ Wheels | ⑪ Roller Brush |
| ⑫ Cleaning Soft Brush | ⑬ Roller Brush Button | ⑭ Dust Compartment Window |
| ⑮ Vacuum Cleaner Charging Port | ⑯ Anti-slip Strip | |

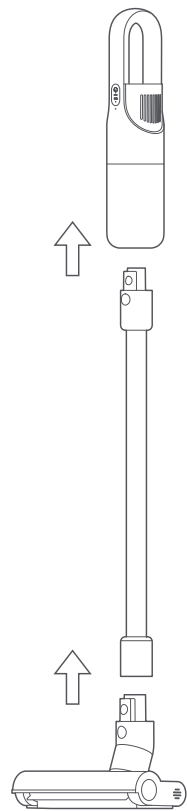


- | | | |
|-----------------|---------------------|----------------------------|
| ① Power Adapter | ② Dust Compartment | ③ HEPA Filter |
| ④ Filter Cotton | ⑤ Cyclone Separator | ⑥ Cyclone Separator Handle |
| ⑦ Long Nozzle | ⑧ Flat Nozzle | ⑨ Wall Mount |

How to Install

Assembling the Vacuum Cleaner

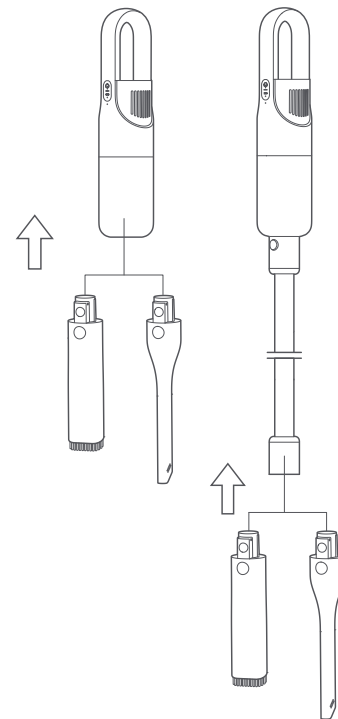
1. Connect the extension rod to the vacuum cleaner, as illustrated, until you hear a click.
2. Connect the electric floor brush to the extension rod, as illustrated, until you hear a click.



Installing the Accessories

1. The long nozzle and flat nozzle can be connected directly to the vacuum cleaner or the extension rod.
2. Insert the long nozzle or flat nozzle into the vacuum cleaner or extension rod vertically, as illustrated, until you hear a click.

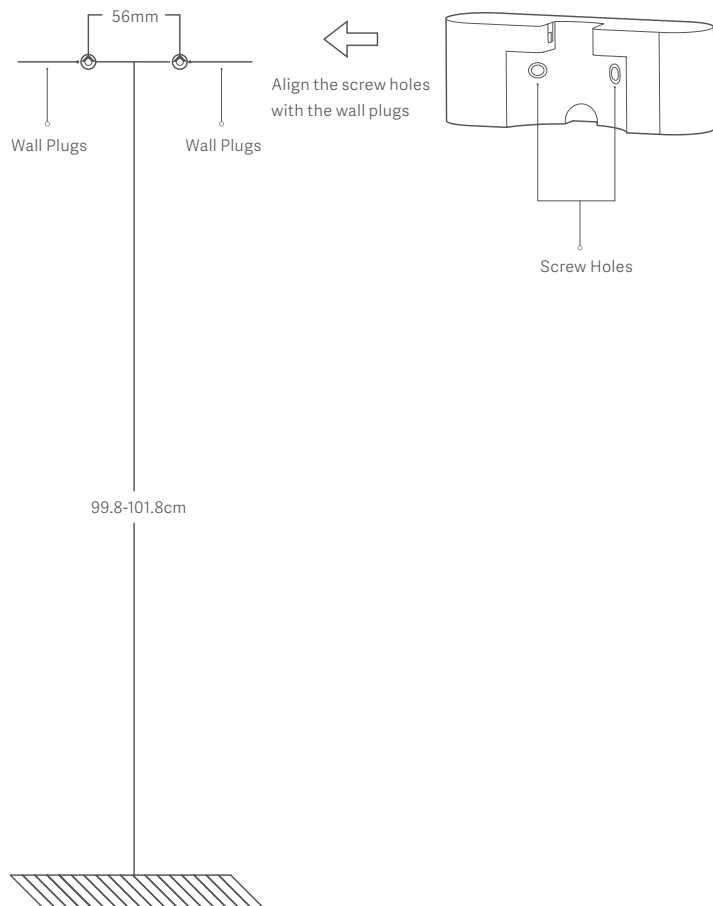
Note: The long nozzle is suitable for cleaning dust from narrow gaps such as doors, windows, stairs and corners. The flat nozzle is perfect for cleaning dust from sofa seats, cabinets, and desk or console surfaces.




Fixing the Wall Mount

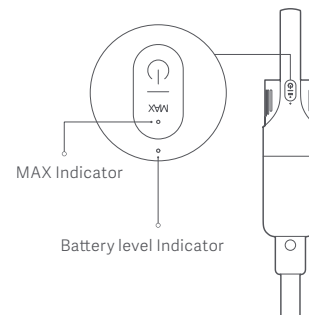
1. Drill two holes with each diameter of 6 mm on the wall at the height of 99.8–101.8 cm above the ground, and ensure there is a distance of 56 mm between two holes, then insert two wall plugs into the holes.
2. Align the screw holes in the wall mount with the wall plugs, then use two screws (4×20 mm) to firmly secure the wall mount to the wall.

Note: It is recommended to fix the wall mount near an electrical outlet so that it can easily connect to the power.



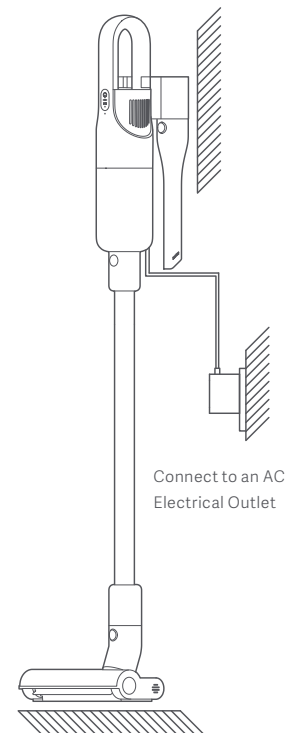
How to Use

- Tuning on/off: Press and hold the on/off button  for 1 second, then the vacuum cleaner starts working and it runs on the standard mode by default. Press the on/off button again to stop the vacuum cleaner.
- Switch mode: When the vacuum cleaner is running, press the suction level button to switch to the turbo mode (MAX level); meanwhile, the MAX indicator will be white. Press the suction level button again to switch to the standard mode.
- Battery level indicator: When the battery level is sufficient, the battery level indicator is white. When the vacuum cleaner runs at a low battery level, the indicator is red; if so, the vacuum cleaner cannot be switched to the turbo mode. When the battery runs out, the vacuum cleaner automatically turns off.




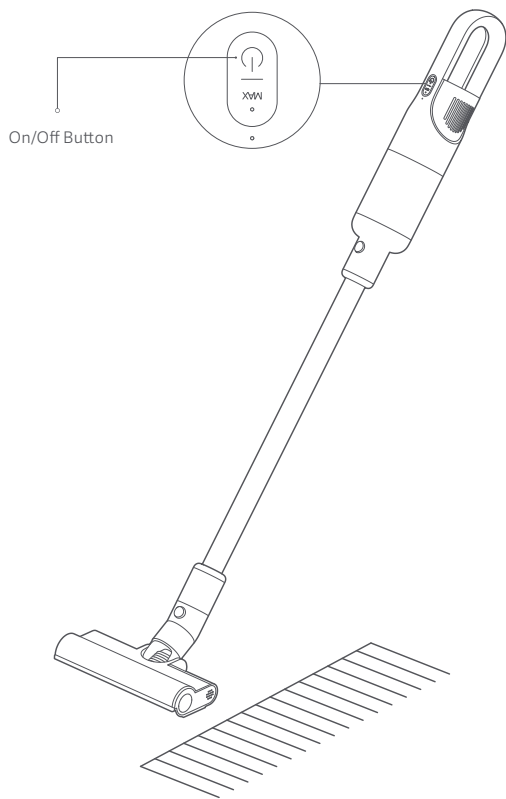
Charging method

1. Before charging, make sure that the power adapter is well connected to the electrical outlet and the vacuum cleaner.
2. When charging, the battery level indicator is breathing. Once the battery is fully charged, the battery level indicator goes off.
3. If you charge the vacuum cleaner while its battery is full, the battery level indicator will breath 20 seconds then go off.



Turning On/Off & Vacuuming

- Press and hold the on/off button  for 1 second, then the vacuum cleaner starts working and it runs on the standard mode by default. You can switch the mode as needed.
- Hold the handle of the vacuum cleaner by pushing it back and forth to vacuum and clean the floor with the floor brush. You can also use the long nozzle or flat nozzle according to your needs.
- Press the on/off button again to stop the vacuum cleaner.



When the Vacuum Cleaner is Working

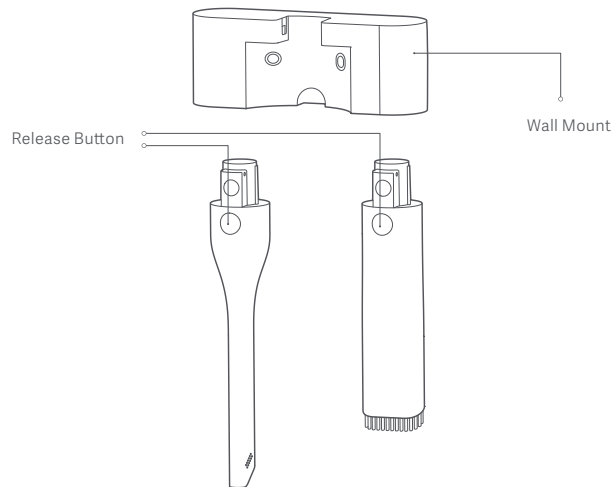
- When the battery level is low, the battery level indicator will blink red, please recharge the vacuum cleaner soon. If the vacuum cleaner runs on the standard mode, it cannot be switched to the turbo mode.
- If it is not recharged in time, the battery voltage will get too low, then the vacuum cleaner will automatically turn off to protect the battery.
- If the vacuum cleaner turns off due to running out of the battery, please recharge it in a timely manner. Otherwise, the battery may damage because of its over-discharging if it is not used for an extended period of time.

Notes

- There is a small amount of battery in the vacuum cleaner when you get it. It is recommended to connect the power adapter to fully charge the vacuum cleaner before its first use.
- When charging, the vacuum cleaner cannot be used.

Storing Accessories

The accessories can be stored on the wall mount when not in use. Vertically insert the long nozzle or flat nozzle into the wall mount until you hear a click, with the release button as the direction shown in the figure. To remove the accessories from the wall mount, press the release button and simultaneously pull them down vertically.



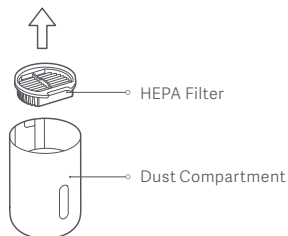
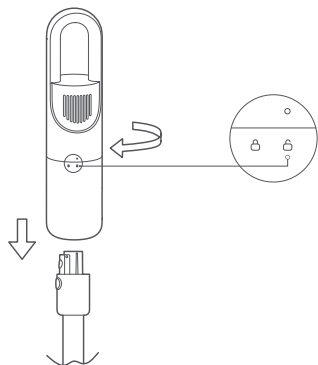
Care & Maintenance

Note: Before cleaning or doing maintenance on the vacuum cleaner, turn it off and unplug it.

- Clean the dust compartment regularly to avoid the buildup of dust that could cause blockage and affect the suction.
- To prevent dust from falling on the floor, hold the dust compartment over a trash can to remove it.

Removing & Installing the Dust Compartment

1. After vacuuming or when the dust compartment is full, pull out the extension rod and rotate the dust compartment in the direction shown in the figure. When "o" is lined up with the unlock symbol "△", the dust compartment can be removed from the vacuum cleaner.

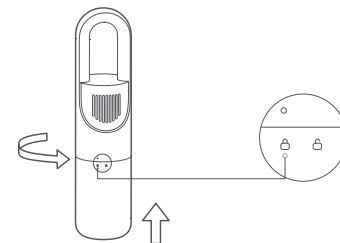


2. Take the HEPA filter out of the dust compartment as shown in the figure, then remove the dust from its surface.



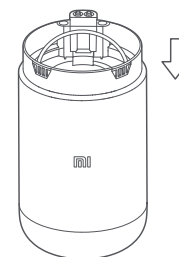
3. Flip the cyclone separator handle over the trash can to remove the cyclone separator from the dust compartment, as shown in the figure. Empty the content in the dust compartment and clear any dust from the surface of the cyclone separator.

4. Place the cyclone separator and HEPA filter back into the dust compartment when the cleaning is completed. Align the unlock symbol "△" with "o" then rotate the dust compartment in the direction shown in the figure until "o" is lined up with the lock symbol "△". Once you hear a click, the dust compartment is securely installed onto the vacuum cleaner.



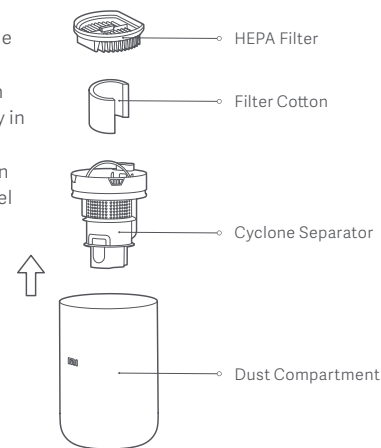
Installing the Cyclone Separator

Press the cyclone separator straight downwards until it reaches the end of the dust compartment.



Cleaning the Dust Compartment & Filter Assembly

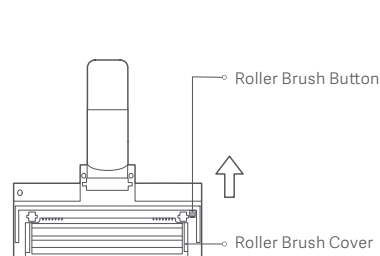
Take the HEPA filter, filter cotton, and cyclone separator successively out of the dust compartment. Remove any dust on their surface, then rinse them with clean water. Make sure they are thoroughly dry in a well-ventilated place away from direct sunlight before use. If necessary, you can replace the filter with the specified model of the HEPA filter.



Cleaning the Roller Brush

1. Press the roller brush button as shown in the figure to pop open the roller brush cover, then pull out the roller brush to clean it. After it has been cleaned, put the roller brush back and close the cover until you hear a click.

2. Cut off the hair and fibers attached to the roller brush and remove them.



- When cleaning the vacuum cleaner, use a dry cloth. Do not use chemical solvents such as gasoline, alcohol, or lacquer thinner, as these will cause the shell to crack or fade.
- Make sure you turn off the vacuum cleaner before cleaning or performing maintenance.
- When the dust compartment is full, please empty it immediately. Otherwise, it may be blocked by the dirt, affecting the suction performance and causing the motor over-heated.
- It is recommended to replace the HEPA filter every 2–3 months. You may need to change it more often if it is used frequently.

Troubleshooting

Issue	Possible Cause	Solution
The vacuum cleaner does not work.	<ol style="list-style-type: none"> 1. The battery level is low. 2. The vacuum cleaner is running for a long time so that it is overheated. 3. The vacuum cleaner is not powered on. 4. When the air duct has been clogged for eight seconds, the motor will stop running to protect overheating. 5. The motor or battery is damaged. 	<ol style="list-style-type: none"> 1. Charge the vacuum cleaner. 2. Cool the vacuum cleaner down, then use it again. 3. Power on the vacuum cleaner. 4. Clear the foreign objects in the air duct, electric floor brush, extension rod, or dust compartment. 5. Please contact the after-sales service department for help.
The suction level decreases.	<ol style="list-style-type: none"> 1. The dust compartment is full. 2. The electric floor brush is blocked by foreign objects. 3. The HEPA filter is blocked or not thoroughly dry after cleaning. 	<ol style="list-style-type: none"> 1. Empty the content in the dust compartment. 2. Remove the foreign objects in the electric floor brush. 3. Clean the HEPA filter or thoroughly dry it.
The noise is extremely loud.	<ol style="list-style-type: none"> 1. The dust compartment is full. 2. The air duct is clogged up. 	<ol style="list-style-type: none"> 1. Empty the content in the dust compartment. 2. Clear the foreign objects in the air duct, electric floor brush, extension rod, or dust compartment.
The electric floor brush stops running.	<ol style="list-style-type: none"> 1. The electric floor brush is clogged so that it stops running for protection. 2. The electric floor brush does not work after connecting to power. 	<ol style="list-style-type: none"> 1. Remove the objects tangled around the electric floor brush. 2. Please contact the after-sales service department for help.
The vacuum cleaner cannot be charged.	<ol style="list-style-type: none"> 1. It is not well connected between the power adapter and the electrical outlet. 2. It is not well connected between the power adapter and the vacuum cleaner charging port. 3. The power adapter is damaged. 	<ol style="list-style-type: none"> 1. Firmly plug the power adapter into the electrical outlet. 2. Securely connect the power adapter with the charging port. 3. Please contact the after-sales service department for help.
The battery level Indicator is blinking red and white alternately.	The power adapter is not compatible with the vacuum cleaner.	Only use the included power adapter to charge the vacuum cleaner.

Note: Any issue occurred during use, please refer to the troubleshooting above for the solution. If the problem still persists, please stop using the vacuum cleaner immediately and contact the after-sales service for help.

Specifications

Mi Vacuum Cleaner Light			
Model	MJWXCQ03DY	Item Dimensions	240 × 148 × 1132 mm
Dust Compartment Capacity	Approx. 0.5 L	Battery Nominal Capacity	2500 mAh
Net Weight	Approx. 2.3 kg	Charging Time	Approx. 5 hours
Input Current	0.5 A	Input Voltage	26.0 V $\overline{\text{---}}$
Operating Power	220 W	Noise Emission	≤ 79 dB
Battery Service Life (excl. electric floor brush)	45 minutes on standard mode		
	13 minutes on turbo mode		

Electric Floor Brush			
Model	MJWXCQ03DY-DS		
Operating Power	15 W	Operating Voltage	21.6 V $\overline{\text{---}}$

Power Adapter			
Model	BLJ15W260050P-VA	Average Active Efficiency	84.6%
Input	100-240 V- 50/60 Hz 0.5 A	Efficiency at Low Load (10%)	71.43%
Output	26.0 V $\overline{\text{---}}$ 0.5 A 13.0 W	No-load Power Consumption	0.10 W
Manufactured By	Zhongshan Baolijin Electronic Co., Ltd.		



All products bearing this symbol are waste electrical and electronic equipment (WEEE as in directive 2012/19/EU) which should not be mixed with unsorted household waste. Instead, you should protect human health and the environment by handing over your waste equipment to a designated collection point for the recycling of waste electrical and electronic equipment, appointed by the government or local authorities. Correct disposal and recycling will help prevent potential negative consequences to the environment and human health. Please contact the installer or local authorities for more information about the location as well as terms and conditions of such collection points.

Precautions for Battery Use

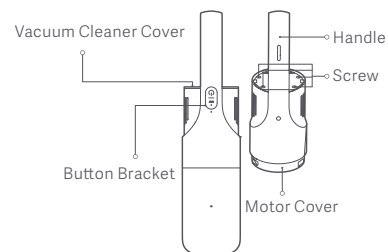
- The vacuum cleaner is in standby mode and cannot be used during charging.
- The lithium-ion battery pack contains substances that are hazardous to the environment. Before disposing of the vacuum cleaner, please first remove the battery pack, then discard, or recycle it in accordance with local laws and regulations of the country or region it is used in.

Note: The vacuum cleaner must be turned off before removing the battery.

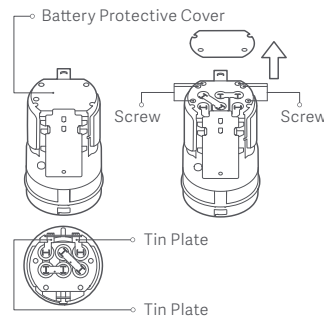
The battery should be disposed of in a safe manner.

How to Remove the Battery

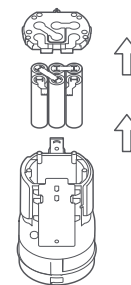
1. Use a straight screwdriver to remove the on/off button and the button bracket, then use a tool to pry open the vacuum cleaner cover. Next, use a screwdriver to unscrew the four screws. Then you can pull the handle and motor cover to separate the battery pack.



2. Remove the battery protective cover, then release the four screws on the cover with a screwdriver. Use a scissor to cut off the tin plate connecting the battery and PCB board.



3. After removing the up-bracket, the battery pack can be taken out of from the down-bracket. Then you can dispose of the battery in accordance with local laws and regulations.



Sicherheitshinweise

Dieses Produkt ist nur für den Betrieb im Haushalt gedacht. Lesen Sie diese Handbuch vor der Verwendung sorgfältig und bewahren Sie es auf, um zukünftig die Informationen nachlesen zu können.

- Dieses Gerät ist für Kinder ab einem Alter von 8 Jahren und Personen geeignet, die körperlich, sensorisch oder geistig behindert sind oder nicht über ausreichend Erfahrung oder Kenntnisse verfügen, wenn sie eine Beaufsichtigung oder Anweisung zur Nutzung des Geräts im Hinblick auf Sicherheit erfahren haben und wissen, welche Gefahren auftreten können. Kinder dürfen nicht mit dem Gerät spielen. Kinder dürfen die Reinigung und Wartung nur unter Aufsicht vornehmen.
- Das Gerät darf nur mit dem zum Gerät mitgelieferten Netzteil verwendet werden.
- Dieses Produkt enthält Akkus, die nicht ausgewechselt werden können.
- Wenn das Netzkabel beschädigt sein sollte, muss es durch ein Original-Ersatzteil ersetzt werden, das vom Hersteller oder der Kundendienstabteilung erworben wurde.
- Der Staubsauger ist kein Spielzeug. Kinder dürfen nicht mit diesem Produkt spielen oder es benutzen. Bitte seien Sie vorsichtig, wenn Sie den Staubsauger in der Nähe von Kindern benutzen. Gestatten Sie es Kindern nicht, den Staubsauger zu reinigen oder zu warten, außer unter Aufsicht eines Elternteils oder Erziehungsberechtigten.
- Der Staubsauger darf nur in Innenräumen und auf trockenen Oberflächen benutzt werden. Dieses Produkt darf nicht im Freien, in Badezimmern oder in der Nähe eines Schwimmbeckens installiert, geladen oder benutzt werden.
- Der Stecker und der Staubsauger dürfen nicht mit nassen Händen berührt werden.
- Um die Gefahr von Bränden, Explosionen und Verletzungen zu verringern, sollten Sie vor der Benutzung sicherstellen, dass der Lithium-Ionen-Akku und das Ladegerät unbeschädigt sind. Der Staubsauger darf nicht benutzt werden, wenn der Akku oder das Ladegerät beschädigt ist.
- Die Hochleistungs-Bürstenrolle, die elektrische Mini-Bürste, der Akku, das Verlängerungsrohr und der Staubsauger sind elektrisch leitfähig und sollten nicht in Wasser oder andere Flüssigkeiten getaucht werden. Stellen Sie nach dem Reinigen von Teilen sicher, dass diese vollständig trocken sind.
- Um Verletzungen durch bewegliche Teile zu vermeiden, müssen Sie den Staubsauger vor der Säuberung der Hochleistungs-Bürstenrolle und der elektrischen Mini-Bürste ausschalten. Die Hochleistungs-Bürstenrolle, der Staubbehälter und der Filter müssen vor Benutzung des Staubsaugers ordnungsgemäß installiert sein.
- Der Staubsauger darf nicht benutzt werden, um brennbare oder entzündliche Flüssigkeiten wie Benzin, Bleiche, Ammoniak, Abflussreiniger oder andere Flüssigkeiten (z. B. Wasser) aufzusaugen.

- Der Staubsauger darf nicht benutzt werden, um Rigipspartikel, Asche (z. B. Kaminasche) oder Rauch- oder Brennmaterialien wie Kohle, Zigarettenstummel oder Streichhölzer aufzusaugen.
- Der Staubsauger darf nicht benutzt werden, um scharfe oder harte Objekte wie Glas, Nägel, Schrauben oder Münzen aufzusaugen, da dies zu Schäden am Produkt führen kann.
- Halten Sie Ihre Haare, Kleidung, Finger und anderen Körperteile von den Öffnungen und beweglichen Teilen fern. Richten Sie die Saugöffnung, das Verlängerungsrohr oder anderes Zubehör nicht auf Ihre Augen oder Ohren und nehmen Sie sie nicht in den Mund.
- Stecken Sie keine Gegenstände in die Öffnungen des Staubsaugers und benutzen Sie den Staubsauger nicht, wenn Öffnungen blockiert sind. Halten Sie das Gerät frei von Staub, Fusseln, Haaren oder anderen Gegenständen, die den Luftstrom behindern könnten.
- Lehnen Sie den Staubsauger nicht gegen einen Stuhl, Tisch oder andere instabile Oberflächen, da dies zu Schäden am Produkt oder zu Verletzungen führen kann. Wenn der Staubsauger aufgrund von Stößen oder Beschädigungen nicht mehr funktioniert, wenden Sie sich bitte an die autorisierte Serviceabteilung. Versuchen Sie nicht, den Staubsauger selbst zu zerlegen.
- Das Produkt darf ausschließlich mit dem Original-Ladegerät und nur in Umgebungen mit einer Umgebungstemperatur von 0 °C bis 35 °C geladen werden. Andernfalls kann der Akku beschädigt werden.
- Der Deckel des Staubbehälters, der Vorfilter, die Zyklon-Baugruppe und der HEPA-Filter müssen vor dem Gebrauch des Staubsaugers ordnungsgemäß installiert sein.
- Stellen Sie sicher, dass der Staubsauger nicht mit dem Stromnetz verbunden ist, wenn Sie ihn über längere Zeit nicht benutzen. Der Staubsauger muss außerdem vom Stromnetz getrennt werden, bevor Wartungs- und Reparaturarbeiten erfolgen.
- Bitte seien Sie besonders vorsichtig, wenn Sie den Staubsauger zur Treppenreinigung verwenden.
- **WARNUNG:** Auf den Filter des Staubsaugers dürfen keinesfalls Duftstoffe aufgetragen werden. Diese Art von Produkten enthält häufig brennbare Chemikalien, die dazu führen könnten, dass das Gerät Feuer fängt.
- Setzen Sie das Gerät auf KEINEN Fall Feuer aus, da dies zur Explosion führen kann.
- Sie dürfen das Gerät NICHT in Wasser, Salzwasser oder andere Flüssigkeiten eintauchen oder diesen aussetzen.
- Bitte halten Sie sich bei der Benutzung des Staubsaugers streng an die Anweisungen dieses Benutzerhandbuchs. Benutzer sind für jeglichen Verlust und Schaden verantwortlich, die durch den unsachgemäßen Gebrauch dieses Staubsaugers entstehen.
- Ein detailliertes elektronisches Handbuch finden Sie unter www.mi.com/global/service/userguide



Wir, Guangdong Deerma Technology Co., Ltd., bestätigen hiermit, dass dieses Gerät mit den geltenden Verordnungen und europäischen Normen sowie etwaigen Ergänzungen in Einklang steht. Der vollständige Wortlaut der EU-Konformitätserklärung ist unter der folgenden Internetadresse abrufbar:
<http://www.mi.com/global/service/support/declaration.html>

Produktübersicht

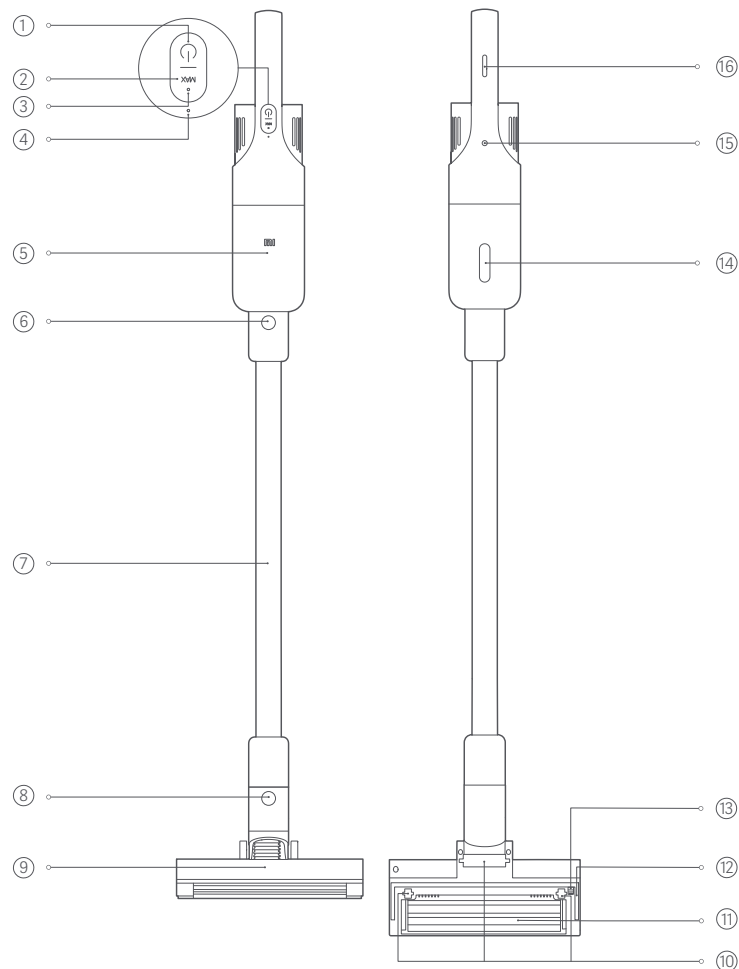
Ausgestattet mit einem bürstenlosen Hochgeschwindigkeitsmotor verfügt der Mi Leicht Staubsauger über Merkmale wie die starke Saugkraft und ein hocheffizientes Filtersystem.

- Bürstenloser Hochgeschwindigkeitsmotor: Läuft schnell mit einer konstanten, starken Saugkraft für schnelles Aufsaugen.
- Starke Saugkraft: Schnelles Aufsaugen von kleinen und großen Partikeln mit hoher Effizienz zur Tiefenreinigung des gesamten Hauses.
- Hocheffiziente Filterung: Das Zyklonabscheidungssystem, das aus feinem Stahlgewebe, Filterwatte und einem HEPA-Filter besteht, trennt den Staub mit großen Partikeln vom Feinstaub und fängt den Staub dann so auf, dass er nicht wieder entweicht, um Sekundärverunreinigungen zu verhindern.
- Leicht und vielseitig: Der kompakte und leichte Staubsauger arbeitet mit Zubehör wie einem Verlängerungsrohr aus Leichtmetall, einer elektrischen Bodenbürste, einer Flachdüse und einer Langdüse, um das ganze Haus einfach und effizient zu reinigen.

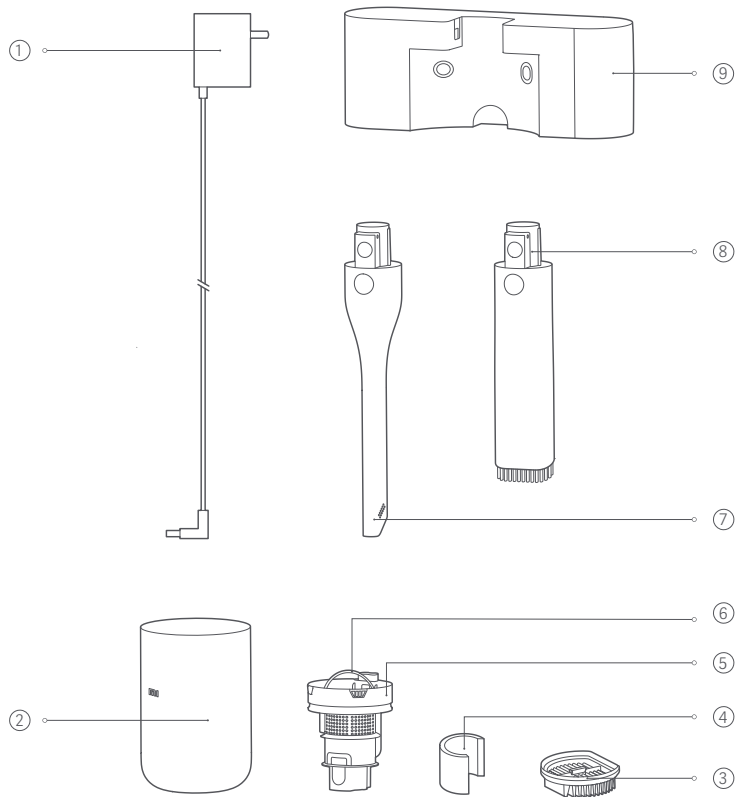
Verpackungsinhalt

Bezeichnung	Anzahl
Staubsauger	1
Verlängerungsrohr	1
Elektrische Bodenbürste	1
Flachdüse	1
Langdüse	1
Benutzerhandbuch	1
Wandbefestigung	1
Netzteil	1
Dübel	2
Schraube	2

Produktübersicht



- | | | |
|-----------------------------|--|--------------------------------------|
| ① Ein-/Ausschalttaste | ② Saugstärke-Taste | ③ MAX Anzeiger |
| ④ Akkustandsanzeiger | ⑤ Staubbehälter | ⑥ Auslösetaste für Verlängerungsrohr |
| ⑦ Verlängerungsrohr | ⑧ Auslösetaste für elektrische Bodenbürste | |
| ⑨ Fenster der Bodenbürste | ⑩ Räder | ⑪ Walzenbürste |
| ⑫ Weiche Reinigungsbürste | ⑬ Walzenbürsten-Taste | ⑭ Staubbehälter-Fenster |
| ⑮ Staubsauger-Ladeanschluss | ⑯ Anti-Rutsch-Streifen | |

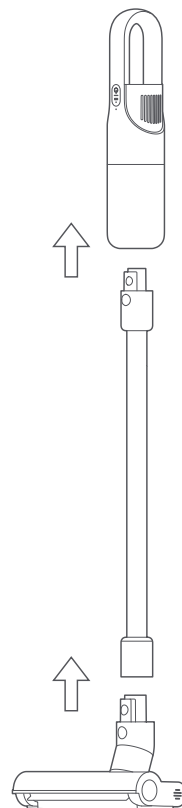


- | | | |
|--------------------|--------------------|------------------------------|
| ① Netzteil | ② Staubbehälter | ③ HEPA-Filter |
| ④ Filter-Baumwolle | ⑤ Zyklonabscheider | ⑥ Zyklonabscheider-Handgriff |
| ⑦ Langdüse | ⑧ Flachdüse | ⑨ Wandbefestigung |

Installation

Zusammenbau des Staubsaugers

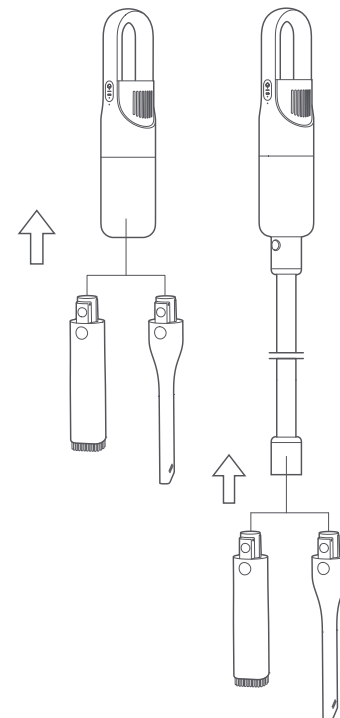
1. Verbinden Sie das Verlängerungsrohr wie abgebildet mit dem Staubsauger, bis Sie ein Klicken hören.
2. Verbinden Sie die elektrische Bodenbürste wie abgebildet mit dem Verlängerungsrohr an, bis Sie ein Klicken hören.



Einbau des Zubehörs

1. Die Langdüse und die Flachdüse können direkt an den Staubsauger oder das Verlängerungsrohr angeschlossen werden.
2. Stecken Sie die Langdüse oder Flachdüse wie abgebildet senkrecht in den Staubsauger oder das Verlängerungsrohr, bis Sie ein Klicken hören.

Hinweis: Die Langdüse eignet sich zum Reinigen von Staub aus engen Spalten wie Türen, Fenstern, Treppen und Ecken. Die Flachdüse eignet sich perfekt für die Reinigung von Staub von Sofasitzen, Schränken und Schreibtisch- oder Konsolenoberflächen.

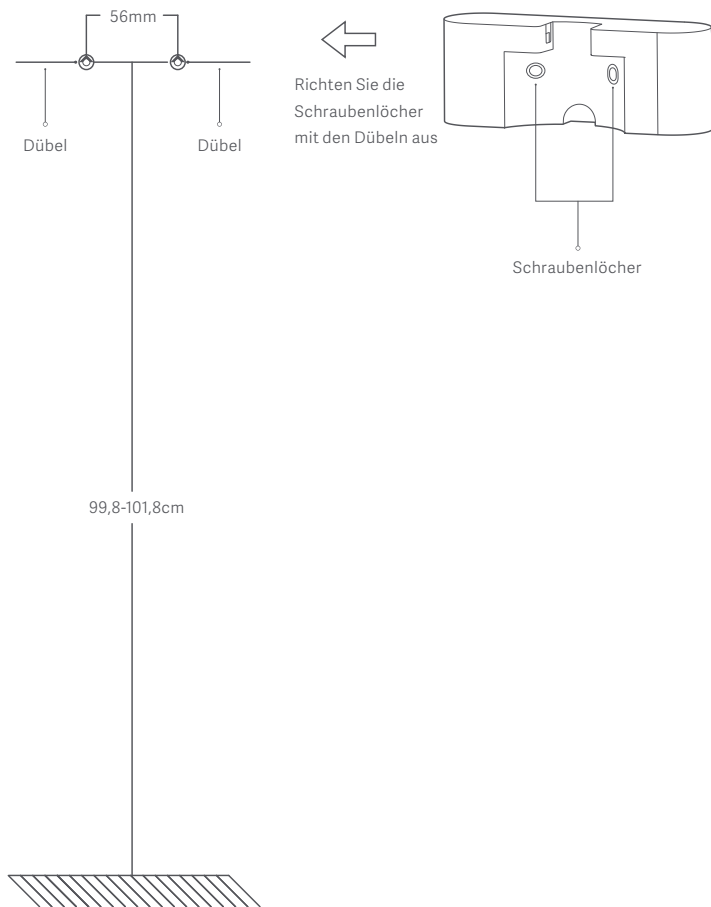


Befestigung der Wandbefestigung

1. Bohren Sie zwei Löcher mit einem Durchmesser von jeweils 6 mm an der Wand in einer Höhe von 99,8–101,8 cm über dem Boden, und stellen Sie sicher, dass zwischen zwei Löchern ein Abstand von 56 mm besteht, und setzen Sie dann zwei Dübel in die Löcher ein.

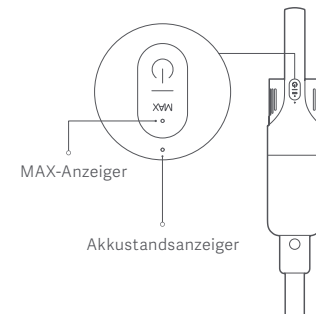
2. Richten Sie die Schraubenlöcher in der Wandbefestigung mit den Dübeln aus und verwenden Sie dann zwei Schrauben (4 × 20 mm), um die Wandbefestigung fest an der Wand zu befestigen.

Hinweis: Es wird empfohlen, die Wandbefestigung in der Nähe einer Steckdose zu befestigen, damit sie leicht an den Strom angeschlossen werden kann.



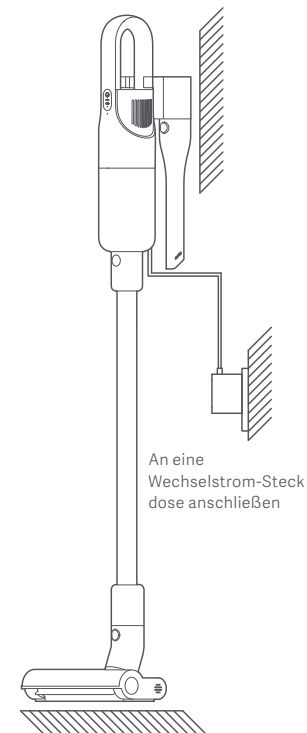
Verwendung

- Ein-/Ausschalten: Halten Sie die Ein-/Ausschalttaste (⏻) 1 Sekunde lang gedrückt, dann beginnt der Staubsauger zu arbeiten und läuft standardmäßig im Standardmodus. Drücken Sie erneut die Ein-/Ausschalttaste, um den Staubsauger zu stoppen.
- Modus wechseln: Wenn der Staubsauger in Betrieb ist, drücken Sie die Taste für die Saugstärke, um in den Turbomodus (MAX-Stufe) zu wechseln; in der Zwischenzeit ist die MAX-Anzeige weiß. Drücken Sie die Taste Saugstärke erneut, um auf den Standardmodus umzuschalten.
- Akkustandsanzeiger: Wenn der Akkustand ausreichend ist, ist die Akku-Ladezustandsanzeige weiß. Wenn der Staubsauger bei niedrigem Batteriestand läuft, ist die Anzeige rot; in diesem Fall kann der Staubsauger nicht in den Turbomodus geschaltet werden. Wenn der Akku leer ist, schaltet sich der Staubsauger automatisch aus.




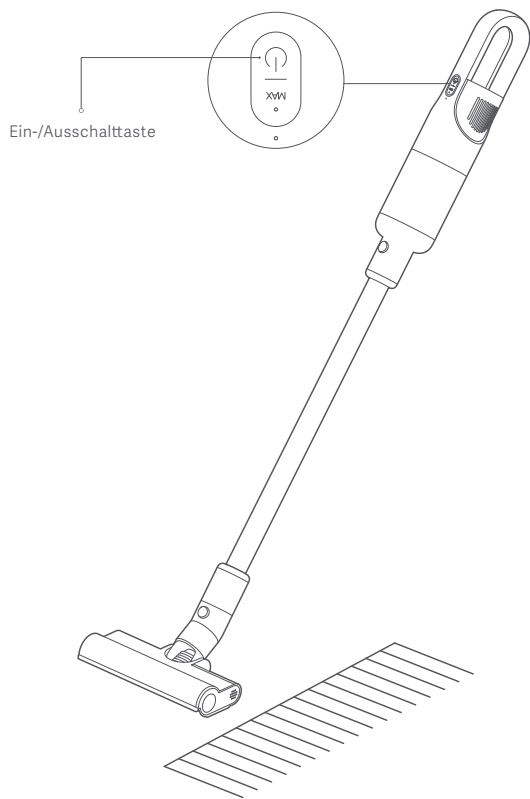
Ladeverfahren

1. Vergewissern Sie sich vor dem Aufladen, dass den Netzteil gut mit der Steckdose und dem Staubsauger verbunden ist.
2. Während des Ladevorgangs blinkt der Akkustandsanzeiger. Sobald der Akku voll aufgeladen ist, erlischt die Akku-Ladezustandsanzeige.
3. Wenn Sie den Staubsauger aufladen, während der Akku voll ist, blinkt die Akkuladestandsanzeige 20 Sekunden lang und erlischt dann.



Ein-/Ausschalten & Staubsaugen

- Halten Sie die Ein-/Ausschalttaste  1 Sekunde lang gedrückt, dann beginnt der Staubsauger zu arbeiten und läuft standardmäßig im Standardmodus. Sie können den Modus nach Bedarf umschalten.
- Halten Sie den Griff des Staubsaugers, indem Sie ihn hin und her schieben, um zu saugen und den Boden mit der Bodenbürste zu reinigen. Sie können je nach Bedarf auch die Langdüse oder die Flachdüse verwenden.
- Drücken Sie erneut die Ein-/Ausschalttaste, um den Staubsauger zu stoppen.



Wenn der Staubsauger arbeitet

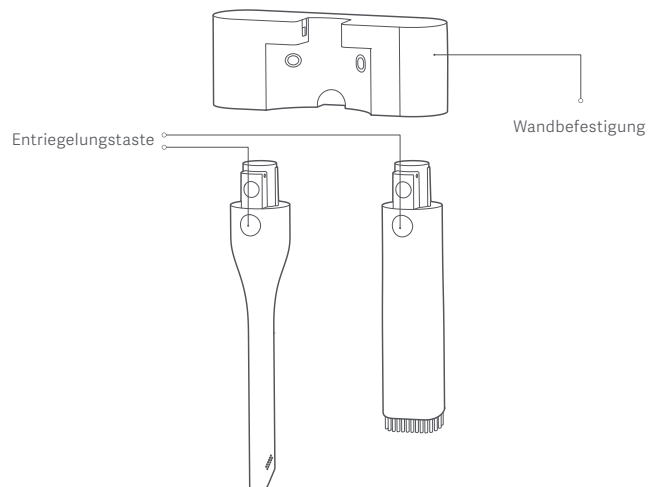
- Wenn der Akkustand niedrig ist, blinkt die Akkustandanzeige rot, bitte laden Sie den Staubsauger bald wieder auf. Läuft der Staubsauger im Standardmodus, kann er nicht in den Turbomodus geschaltet werden.
- Wenn er nicht rechtzeitig aufgeladen wird, wird die Akkuspannung zu niedrig, dann schaltet sich der Staubsauger automatisch aus, um den Akku zu schützen.
- Wenn sich der Staubsauger ausschaltet, weil der Akku leer ist, laden Sie ihn bitte rechtzeitig wieder auf. Andernfalls kann der Akku wegen seiner Überentladung beschädigt werden, wenn er über einen längeren Zeitraum nicht benutzt wird.

Hinweise

- Im Staubsauger befindet sich eine geringe Akkuladung, wenn Sie ihn bekommen. Es wird empfohlen, den Netzteil anzuschließen, um den Staubsauger vor dem ersten Gebrauch vollständig aufzuladen.
- Während des Aufladens kann der Staubsauger nicht benutzt werden.

Aufbewahrung von Zubehör

Das Zubehör kann auf der Wandbefestigung aufbewahrt werden, wenn es nicht in Gebrauch ist. Führen Sie die Langdüse oder Flachdüse vertikal in die Wandbefestigung ein, bis Sie ein Klicken hören, mit der Auslösetaste wie in der Abbildung gezeigt. Um das Zubehör von der Wandhalterung zu entfernen, drücken Sie den Entriegelungsknopf und ziehen Sie es gleichzeitig senkrecht nach unten.



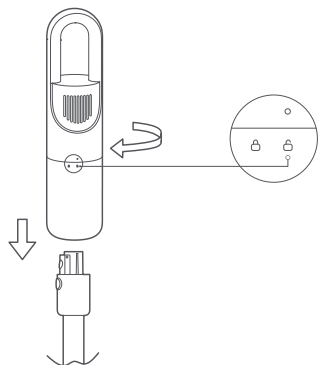
Pflege und Wartung

Hinweis: Bevor Sie den Staubsauger reinigen oder Wartungsarbeiten durchführen, schalten Sie ihn aus und trennen Sie ihn.

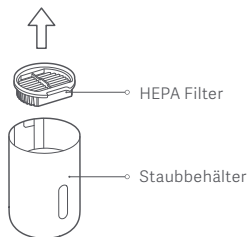
- Reinigen Sie den Staubbehälter regelmäßig, um Staubanhäufungen zu vermeiden, die eine Verstopfung verursachen und die Saugkraft beeinträchtigen.
- Um zu verhindern, dass Staub auf den Boden fällt, halten Sie den Staubbehälter über einen Mülleimer, um ihn zu entfernen.

Ausbau und Einbau des Staubbehälters

1. Nach dem Aufsaugen oder wenn der Staubbehälter voll ist, ziehen Sie das Verlängerungsrohr heraus und drehen Sie den Staubbehälter in die in der Abbildung gezeigte Richtung. Wenn „o“ mit dem Entriegelungssymbol „Δ“ ausgerichtet ist, kann der Staubbehälter aus dem Staubsauger entfernt werden.



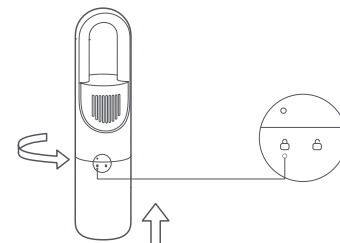
2. Nehmen Sie den HEPA-Filter, wie in der Abbildung gezeigt, aus dem Staubbehälter heraus und entfernen Sie dann den Staub von seiner Oberfläche.



3. Klappen Sie den Griff des Zyklonabscheiders über den Abfalleimer, um den Zyklonabscheider aus dem Staubbehälter zu entfernen, wie in der Abbildung gezeigt. Entleeren Sie den Inhalt des Staubbehälters und entfernen Sie jeglichen Staub von der Oberfläche des Zyklonabscheiders.

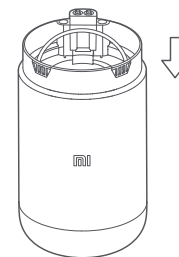


4. Setzen Sie den Zyklonabscheider und den HEPA-Filter wieder in den Staubbehälter ein, wenn die Reinigung abgeschlossen ist. Richten Sie das Entriegelungssymbol „Δ“ mit „o“ aus und drehen Sie dann den Staubbehälter in der in der Abbildung gezeigten Richtung, bis „o“ mit dem Verriegelungssymbol „Δ“ ausgerichtet ist. Sobald Sie ein Klicken hören, ist der Staubbehälter fest am Staubsauger eingebaut.



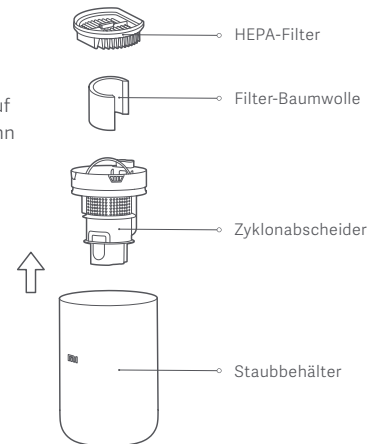
Installation des Zyklonabscheiders

Drücken Sie den Zyklonabscheider gerade nach unten, bis er das Ende des Staubbehälters erreicht.



Reinigen des Staubbehälters und der Filterbaugruppe

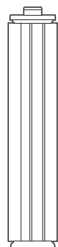
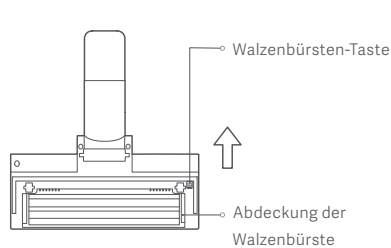
Nehmen Sie den HEPA-Filter, die Filterwatte und den Zyklonabscheider nacheinander aus dem Staubbehälter heraus. Entfernen Sie jeglichen Staub auf seiner Oberfläche und spülen Sie sie dann mit sauberem Wasser ab. Achten Sie darauf, dass sie vor der Verwendung an einem gut belüfteten, vor direktem Sonnenlicht geschützten Ort gründlich getrocknet werden. Falls erforderlich, können Sie den Filter durch das angegebene Modell des HEPA-Filters ersetzen.



Reinigung der Walzenbürste

1. Drücken Sie wie in der Abbildung gezeigt auf die Taste der Walzenbürste, um die Walzenbürstenabdeckung zu öffnen, und ziehen Sie dann die Walzenbürste heraus, um sie zu reinigen. Nach der Reinigung legen Sie die Walzenbürste zurück und schließen die Abdeckung, bis Sie ein Klicken hören.

2. Schneiden Sie die an der Walzenbürste befestigten Haare und Fasern ab und entfernen Sie sie.



- Verwenden Sie zum Reinigen des Staubsaugers ein trockenes Tuch. Verwenden Sie keine chemischen Lösungsmittel wie Benzin, Alkohol oder Lackverdünner, da diese zu Rissen oder Verblassen des Gehäuses führen können.
- Stellen Sie sicher, dass Sie den Staubsauger ausschalten, bevor Sie ihn reinigen oder Wartungsarbeiten durchführen.
- Wenn der Staubbehälter voll ist, entleeren Sie ihn bitte sofort. Andernfalls kann er durch den Schmutz blockiert werden, was die Saugleistung beeinträchtigt und eine Überhitzung des Motors verursacht.
- Es wird empfohlen den HEPA-Filter alle 2–3 Monate zu ersetzen. Möglicherweise müssen Sie ihn öfter wechseln, wenn er häufig verwendet wird.

Fehlerbehebung

Probleme	Mögliche Ursache	Lösung
Der Staubsauger funktioniert nicht	<ol style="list-style-type: none"> 1. Der Akkustand ist niedrig. 2. Der Staubsauger läuft sehr lange, so dass er überhitzt wird. 3. Der Staubsauger ist nicht eingeschaltet. 4. Wenn der Luftkanal acht Sekunden lang verstopft ist, hört der Motor zum Schutz vor Überhitzung auf zu laufen. 5. Der Motor oder der Akku ist beschädigt. 	<ol style="list-style-type: none"> 1. Laden Sie den Staubsauger auf. 2. Kühlen Sie den Staubsauger ab und benutzen Sie ihn dann wieder. 3. Schalten Sie den Staubsauger ein. 4. Entfernen Sie Fremdkörper aus dem Luftkanal, der elektrischen Bodenbürste, dem Verlängerungsrohr oder dem Staubbehälter. 5. Wenden Sie sich bitte um Hilfe an den Kundendienst.
Die Saugkraft nimmt ab	<ol style="list-style-type: none"> 1. Der Staubbehälter ist voll. 2. Die elektrische Bodenbürste ist durch Fremdkörper blockiert. 3. Der HEPA-Filter ist blockiert oder nach der Reinigung nicht gründlich getrocknet. 	<ol style="list-style-type: none"> 1. Leeren Sie den Inhalt im Staubbehälter. 2. Entfernen Sie die Fremdkörper in der elektrischen Bodenbürste. 3. Reinigen Sie den HEPA-Filter oder trocknen Sie ihn gründlich.
Der Lärm ist extrem laut	<ol style="list-style-type: none"> 1. Der Staubbehälter ist voll. 2. Der Luftkanal ist verstopft. 	<ol style="list-style-type: none"> 1. Leeren Sie den Inhalt im Staubbehälter. 2. Entfernen Sie Fremdkörper aus dem Luftkanal, der elektrischen Bodenbürste, dem Verlängerungsrohr oder dem Staubbehälter.
Die elektrische Bodenbürste läuft nicht mehr	<ol style="list-style-type: none"> 1. Die elektrische Bodenbürste ist verstopft, so dass sie zum Schutz nicht mehr läuft. 2. Die elektrische Bodenbürste funktioniert nach dem Anschluss an den Strom nicht mehr. 	<ol style="list-style-type: none"> 1. Entfernen Sie die Gegenstände, die sich um die elektrische Bodenbürste verfangen haben. 2. Wenden Sie sich bitte um Hilfe an den Kundendienst.
Der Staubsauger kann nicht geladen werden	<ol style="list-style-type: none"> 1. Die Verbindung zwischen dem Netzteil und der Steckdose ist nicht gut. 2. Die Verbindung zwischen dem Netzteil und dem Ladeanschluss des Staubsaugers ist nicht gut. 3. Den Netzteil ist beschädigt. 	<ol style="list-style-type: none"> 1. Stecken Sie den Netzteil fest in die Steckdose. 2. Stecken Sie den Netzteil fest in den Ladeanschluss. 3. Wenden Sie sich bitte um Hilfe an den Kundendienst.
Die Akkuladezustandsanzeige blinkt abwechselnd rot und weiß	Den Netzteil ist nicht mit dem Staubsauger kompatibel.	Benutzen Sie ausschließlich den mitgelieferten Netzteil, um den Staubsauger aufzuladen.

Hinweis: Jedes Problem, das während der Verwendung auftrat, sehen Sie bitte in der obigen Fehlerbehebung nach, um die Lösung zu finden. Wenn das Problem weiterhin besteht, unterbrechen Sie bitte die Verwendung des Staubsaugers sofort und wenden Sie sich an den Kundendienst, um Hilfe zu erhalten.

Mi Leicht Staubsauger			
Modell	MJWXCQ03DY	Artikelmaße	240 × 148 × 1132 mm
Kapazität Staubbehälter	ca. 0,5 l	Akku-Nennkapazität	2500 mAh
Nettogewicht	ca. 2,3 kg	Ladedauer	Ca. 5 Stunden
Eingangsstrom	0,5 A	Eingangsspannung	26,0 V $\overline{\text{---}}$
Betriebsleistung	220 W	Geräuschabgabe	≤ 79 dB
Akkunutzungsdauer (exkl. elektrische Bodenbürste)	45 Minuten im Standardmodus		
	13 Minuten im Turbomodus		

der elektrischen Bodenbürste			
Modell	MJWXCQ03DY-DS		
Betriebsleistung	15 W	Betriebsspannung	21,6 V $\overline{\text{---}}$

Netzteil			
Modell	BLJ15W260050P-VA	Durchschnittliche Aktive Effizienz	84,6 %
Eingang	100-240 V~ 50/60 Hz 0,5A	Effizienz bei Geringer Belastung (10 %)	71,43 %
Ausgang	26,0 V $\overline{\text{---}}$ 0,5 A 13,0 W	Lastloser Stromverbrauch	0,10 W
Hersteller	Zhongshan Baolijin Electronic Co., Ltd.		



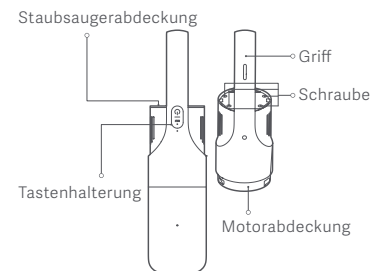
Alle mit diesem Symbol gekennzeichneten Produkte sind Elektroschrott und Elektrogeräte (WEEE entsprechend EU-Richtlinie 2012/19/EU) und dürfen nicht mit unsortiertem Haushaltsmüll vermischt werden. Schützen Sie stattdessen Ihre Mitmenschen und die Umwelt, indem Sie Ihre zu entsorgenden Geräte an eine dafür vorgesehene, von der Regierung oder einer lokalen Behörde eingerichtete Sammelstelle zum Recycling von Elektroschrott und Elektrogeräten bringen. Eine ordnungsgemäße Entsorgung und Recycling helfen, negative Auswirkungen auf die Gesundheit von Umwelt und Menschen zu vermeiden. Wenden Sie sich bitte an den Installateur oder lokale Behörden, um Informationen zum Standort und den allgemeinen Geschäftsbedingungen solcher Sammelstellen zu erhalten.

- Der Staubsauger befindet sich im Bereitschaftsmodus und kann während des Ladevorgangs nicht verwendet werden.
- Das Lithium-Ionen-Akku Pack enthält umweltgefährdende Stoffe. Bevor der Staubsauger entsorgt wird, muss zunächst das Akku Pack entfernt werden, anschließend muss in Übereinstimmung mit den lokalen Gesetzen und Vorschriften des Landes oder der Region, in dem er benutzt wurde, eine Entsorgung oder Wiederverwertung stattfinden.

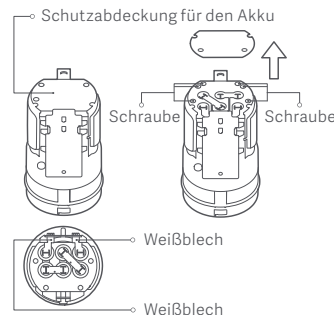
Hinweis: Der Staubsauger muss vor dem Entfernen des Akkus ausgeschaltet werden. Der Akku sollte auf sichere Weise entsorgt werden.

So entfernen Sie den Akku

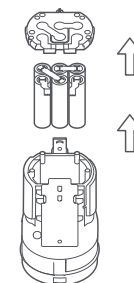
1. Entfernen Sie mit einem geraden Schraubendreher die Ein/Ausschalttaste und die Tastenhalterung und verwenden Sie dann ein Werkzeug, um den Staubsaugerdeckel zu öffnen. Als nächstes schrauben Sie die vier Schrauben mit einem Schraubenzieher heraus. Dann können Sie am Griff und an der Motorabdeckung ziehen, um das Akkupaket zu trennen.



2. Entfernen Sie die Akku-Schutzabdeckung und lösen Sie dann die vier Schrauben an der Abdeckung mit einem Schraubendreher. Schneiden Sie mit einer Schere das Weißblech ab, das den Akku mit der Leiterplatte verbindet.



3. Nach Entfernen der oberen Akku-Schutzabdeckung und lösen der vier Halterung kann der Akkupack aus der unteren Halterung herausgenommen werden. Dann können Sie den Akku gemäß den örtlichen Gesetzen und Vorschriften entsorgen.



Istruzioni di sicurezza

Questo prodotto è destinato esclusivamente all'utilizzo domestico. Leggere attentamente il presente manuale prima dell'uso del dispositivo e conservarlo per ogni riferimento futuro.

- L'apparecchio può essere utilizzato da bambini di età superiore a 8 anni e da persone con capacità fisiche, sensoriali o mentali ridotte oppure da persone prive di esperienza o conoscenza dell'apparecchio, purché siano sorvegliate o siano state istruite sull'uso sicuro dell'apparecchio e comprendano i rischi che ne possono derivare. Non consentire ai bambini di giocare con l'apparecchio. Le operazioni di pulizia e manutenzione non devono essere effettuate da bambini, a meno che non siano sorvegliati.
- L'apparecchio deve essere utilizzato esclusivamente con l'alimentatore fornito con l'apparecchio.
- Questo dispositivo contiene delle batterie che non possono essere sostituite.
- Se il caricabatterie viene danneggiato, è necessario sostituirlo con un componente originale acquistato dal produttore o tramite il servizio di assistenza post-vendita.
- L'aspirapolvere non è un giocattolo. Questo prodotto non deve essere utilizzato come gioco o azionato da bambini. Prestare attenzione quando si utilizza l'aspirapolvere in presenza di bambini. Ai bambini non deve essere consentito eseguire operazioni di pulizia o manutenzione sull'aspirapolvere in assenza di un genitore o tutore.
- Utilizzare l'aspirapolvere solo su superfici interne asciutte. Non installare, caricare o utilizzare questo prodotto all'aperto, ad esempio in stanze da bagno o vicino a una piscina.
- Non toccare la spina o qualsiasi parte dell'aspirapolvere con le mani bagnate.
- Per ridurre il rischio di incendio, esplosione o lesioni personali, verificare che la batteria agli ioni di litio e il caricabatterie non siano danneggiati prima dell'uso. Non utilizzare l'aspirapolvere se la batteria o il caricabatterie sono danneggiati.
- La barra della spazzola a coppia elevata, la mini spazzola elettrica, la batteria, l'asta di prolunga e l'aspirapolvere conducono elettricità e non devono essere immersi in acqua o altri liquidi. Assicurarsi che tutte le parti siano completamente asciutte dopo averle pulite.
- Per evitare lesioni causate da parti in movimento, spegnere l'aspirapolvere prima di pulire la barra della spazzola a coppia elevata e la mini spazzola elettrica. Prima di utilizzare l'aspirapolvere, è necessario installare correttamente la barra della spazzola a coppia elevata, il vano polvere e il filtro.
- Non utilizzare l'aspirapolvere per raccogliere liquidi infiammabili o combustibili, ad esempio benzina, candeggina, ammoniacca, prodotti per la pulizia degli scarichi o altri liquidi come acqua.
- Non utilizzare l'aspirapolvere per raccogliere parti di muro, ceneri come la cenere

del camino o materiali incandescenti come carbone, mozziconi di sigaretta o fiammiferi.

- Non utilizzare l'aspirapolvere per raccogliere oggetti duri o taglienti, ad esempio vetro, chiodi, viti o monete, che potrebbero danneggiarlo.
- Assicurarsi di tenere capelli, abiti larghi, dita e altre parti del corpo lontano dalle bocchette e dalle parti in movimento dell'aspirapolvere. Non puntare la bocchetta di aspirazione, l'asta di prolunga o altri accessori verso gli occhi o le orecchie, né metterli in bocca.
- Non inserire oggetti nelle bocchette dell'aspirapolvere, né utilizzare l'aspirapolvere con le bocchette ostruite. Rimuovere polvere, lanugine, capelli o altri elementi che potrebbero ridurre il flusso dell'aria.
- Non appoggiare l'aspirapolvere contro una sedia, un tavolo o altre superfici instabili per evitare il rischio di danni al prodotto o lesioni personali. Se l'aspirapolvere non funziona correttamente a causa di un urto o un danneggiamento, contattare il nostro reparto di assistenza autorizzato. Non tentare mai di smontare autonomamente l'aspirapolvere.
- Utilizzare esclusivamente il caricabatterie originale per ricaricare il prodotto in luoghi in cui la temperatura ambiente è compresa tra 0°C e 35°C; diversamente, la batteria rischia di danneggiarsi.
- Prima di utilizzare l'aspirapolvere, è necessario installare correttamente il coperchio del vano polvere, il pre-filtro, il sistema ciclonico e il filtro HEPA.
- Assicurarsi che l'aspirapolvere sia scollegato dalla corrente quando non viene utilizzato per lunghi periodi di tempo e prima di eseguire interventi di manutenzione o riparazioni.
- Prestare la massima attenzione quando si utilizza l'aspirapolvere per pulire scale.
- **AVVERTENZA:** Non applicare alcun tipo di profumo sul filtro dell'aspirapolvere. In genere, questa tipologia di prodotti contiene sostanze chimiche infiammabili, che rischiano di far incendiare l'aspirapolvere.
- NON esporre l'apparecchio al fuoco poiché ciò potrebbe causare esplosioni.
- NON esporre o immergere l'apparecchio in acqua, acqua salata o altri liquidi.
- Attenersi scrupolosamente alle istruzioni di questo manuale utente durante l'utilizzo dell'aspirapolvere. Gli utenti sono responsabili di eventuali perdite o danni derivanti dall'uso improprio dell'aspirapolvere.
- Il manuale elettronico dettagliato è disponibile all'indirizzo www.mi.com/global/service/userguide



Con la presente, Guangdong Deerma Technology Co., Ltd. dichiara che questo apparecchio è conforme alle direttive applicabili e alle norme europee, nonché ai relativi emendamenti. Il testo completo della dichiarazione di conformità UE è disponibile al seguente indirizzo Internet: <http://www.mi.com/global/service/support/declaration.html>

Panoramica del prodotto

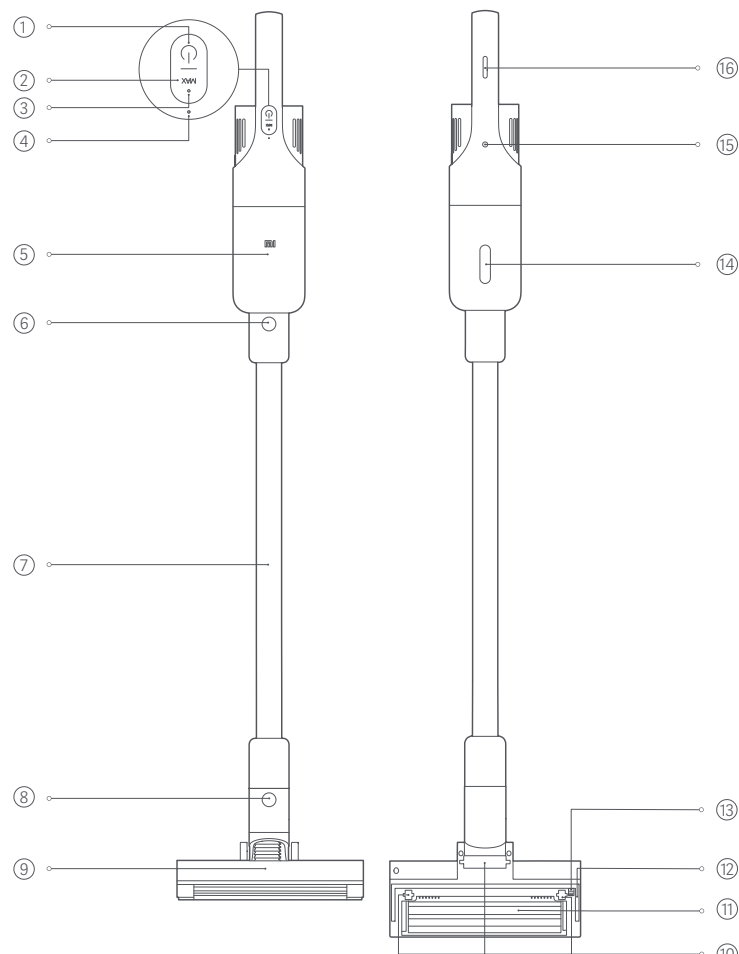
Dotato di un motore brushless ad alta velocità, il Mi Vacuum Cleaner Light vanta le caratteristiche tra cui la potente aspirazione e un sistema di filtrazione ad alta efficienza.

- Motore brushless ad Alta velocità: Funziona rapidamente con un'uscita stabile di forte aspirazione per un'aspirazione rapida.
- Aspirazione potente: Aspirazione rapida di particelle piccole e grandi ad alta efficienza per pulire a fondo tutta la casa.
- Filtrazione ad alta efficienza: Il sistema di separazione ciclonico, composto da una rete d'acciaio fine, un filtro in cotone e un filtro HEPA, separa la polvere di particelle di grandi dimensioni dalla polvere fine, quindi intrappola la polvere in modo che non esca per prevenire inquinanti secondari.
- Leggero e multiuso: L'aspirapolvere compatto e leggero funziona con accessori come un'asta di prolunga in metallo leggero, una spazzola elettrica per pavimenti, un ugello piatto e un ugello lungo per pulire l'intera casa in modo semplice ed efficiente.

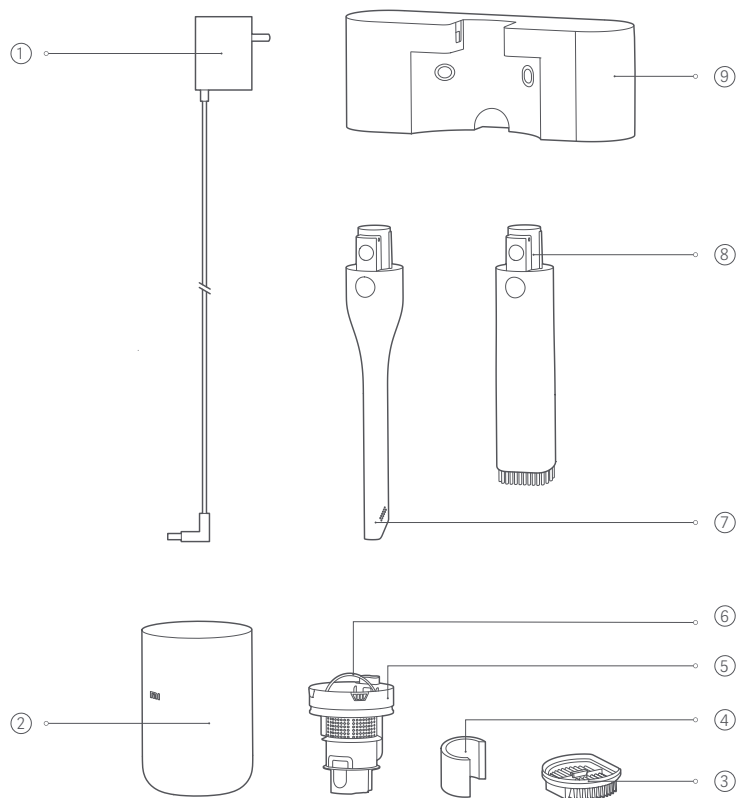
Contenuto della confezione

Nome	Quantità
Aspirapolvere	1
Asta di prolunga	1
Spazzola elettrica per pavimenti	1
Ugello piatto	1
Ugello lungo	1
Manuale utente	1
Supporto da parete	1
Alimentatore	1
Presa a muro	2
Vite	2

Panoramica del prodotto



- ① Pulsante di accensione/spengimento ② Pulsante livello di aspirazione ③ Indicatore MAX
④ Indicatore livello batteria ⑤ Vano polvere
⑥ Pulsante di rilascio dell'asta di prolunga ⑦ Asta di prolunga
⑧ Pulsante di rilascio spazzola elettrica per pavimenti ⑨ Finestra Spazzola per pavimenti
⑩ Ruote ⑪ Spazzola a rullo ⑫ Spazzola morbida per la pulizia
⑬ Pulsante spazzola a rullo ⑭ Finestra dello scomparto della polvere
⑮ Porta di ricarica per aspirapolvere ⑯ Striscia antiscivolo

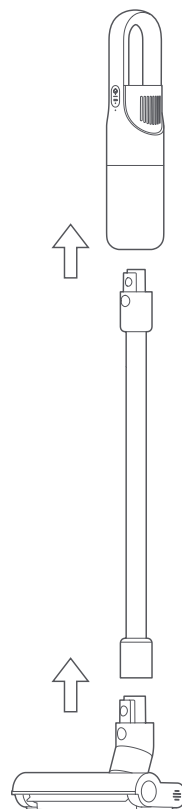


- | | | |
|-----------------|------------------------------|-------------------------------|
| ① Alimentatore | ② Scomparto raccogli polvere | ③ Filtro HEPA |
| ④ Filtro cotone | ⑤ Separatore a ciclone | ⑥ Manico separatore a ciclone |
| ⑦ Ugello lungo | ⑧ Ugello piatto | ⑨ Supporto da parete |

Installazione

Montaggio dell'aspirapolvere

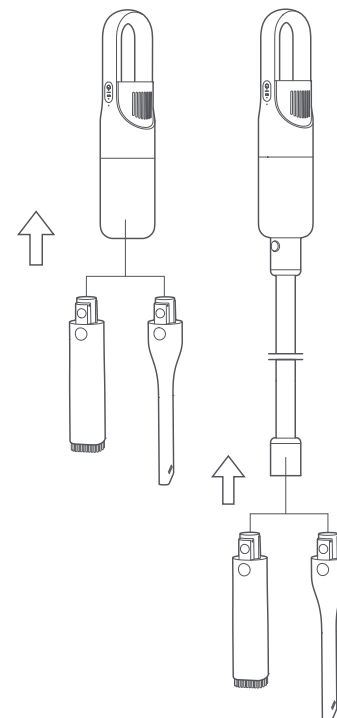
1. Collegare l'asta di prolunga all'aspirapolvere, come illustrato, finché non si sente un clic.
2. Collegare la spazzola elettrica per pavimenti all'asta di prolunga, come illustrato, fino a sentire un clic.



Installazione degli accessori

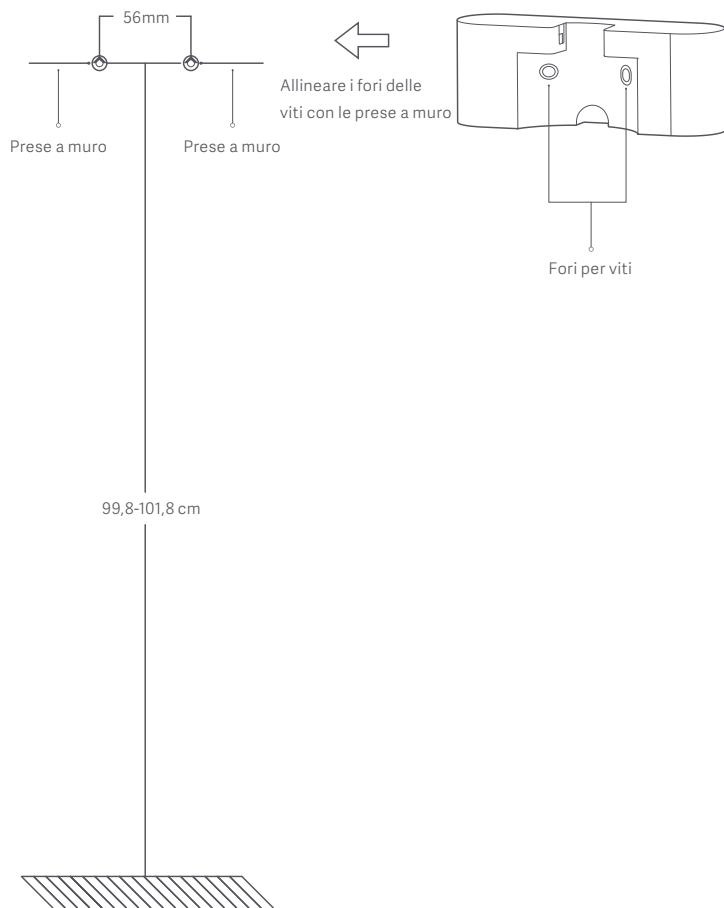
1. L'ugello lungo e l'ugello piatto possono essere collegati direttamente all'aspirapolvere o all'asta di prolunga.
2. Inserire l'ugello lungo o l'ugello piatto nell'aspirapolvere o nell'asta di prolunga verticalmente, come illustrato, finché non si sente un clic.

Nota: L'ugello lungo è adatto per togliere la polvere da spazi stretti come porte, finestre, scale e angoli. L'ugello piatto è perfetto per togliere la polvere da sedili di divani, armadi e superfici di scrivanie o console.



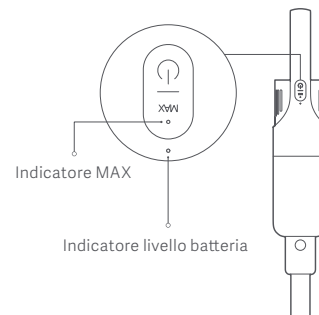
Fissaggio del supporto a parete

1. Praticare due fori con ogni diametro di 6 mm sulla parete all'altezza di 99,8–101,8 cm dal suolo e assicurarsi che vi sia una distanza di 56 mm tra i due fori, quindi inserire due prese a muro nei fori.
 2. Allineare i fori delle viti nel supporto a parete con le prese a muro, quindi utilizzare due viti (4 × 20 mm) per fissare saldamente il supporto a parete alla parete.
- Nota: Si consiglia di fissare il supporto a parete vicino a una presa elettrica in modo che possa collegarsi facilmente all'alimentazione.



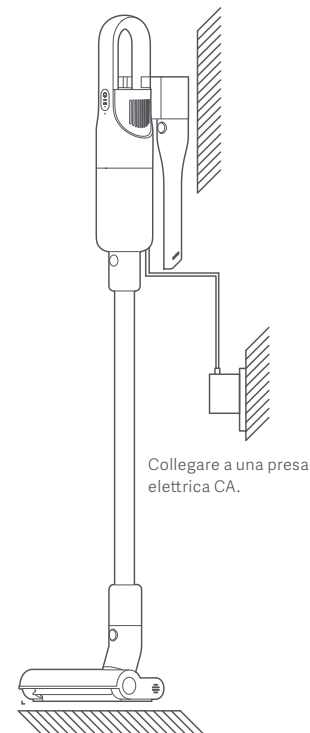
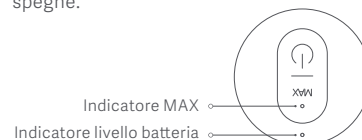
Modalità d'utilizzo

- Accendi/Spigni: Tenere premuto il pulsante accendi/spigni (☺) per 1 secondo, quindi l'aspirapolvere inizia a funzionare in modalità standard per impostazione predefinita. Premere nuovamente il pulsante di accensione/spengimento per arrestare l'aspirapolvere.
- Cambia modalità: Quando l'aspirapolvere è in funzione, premere il pulsante del livello di aspirazione per passare alla modalità turbo (livello MAX); nel frattempo, l'indicatore MAX sarà bianco. Premere nuovamente il pulsante del livello di aspirazione per passare alla modalità standard.
- Indicatore livello batteria: Quando il livello della batteria è sufficiente, l'indicatore del livello della batteria è bianco. Quando l'aspirapolvere funziona a un livello di batteria basso, l'indicatore è rosso; in tal caso, l'aspirapolvere non può essere acceso sulla modalità turbo. Quando la batteria si esaurisce, l'aspirapolvere si spegne automaticamente.




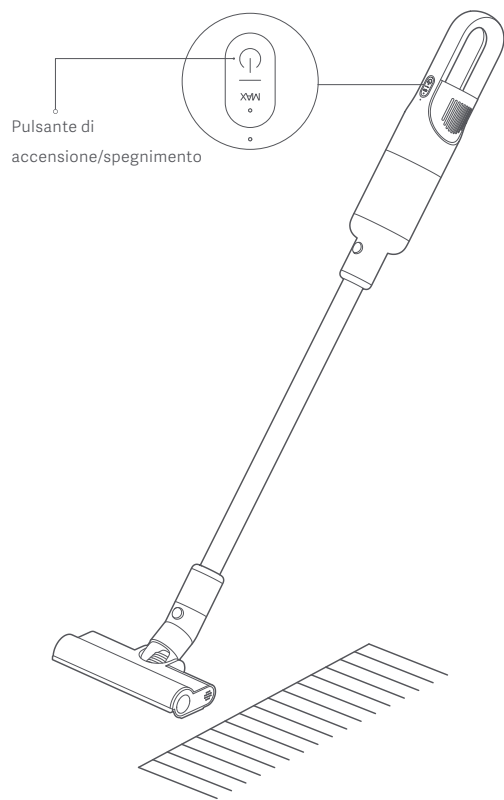
Metododi ricarica

1. Prima di caricare, assicurarsi che l'alimentatore sia ben collegato alla presa elettrica e all'aspirapolvere.
2. Durante la ricarica, l'indicatore del livello della batteria traspira. Quando la batteria è completamente carica, l'indicatore del livello della batteria si spegne.
3. Se si carica l'aspirapolvere mentre la batteria è carica, l'indicatore del livello della batteria lampeggia per 20 secondi e poi si spegne.



Accensione/spengimento e aspirazione

- Tenere premuto il pulsante accendi/spegni  per 1 secondo, quindi l'aspirapolvere inizia a funzionare in modalità standard per impostazione predefinita. È possibile cambiare la modalità secondo necessità.
- Impugnare il manico dell'aspirapolvere spingendolo avanti e indietro per aspirare e pulire il pavimento con la spazzola per pavimenti. Puoi anche usare l'ugello lungo o l'ugello piatto in base alle tue esigenze.
- Premere nuovamente il pulsante di accensione/spengimento per arrestare l'aspirapolvere.



Quando l'aspirapolvere è in funzione

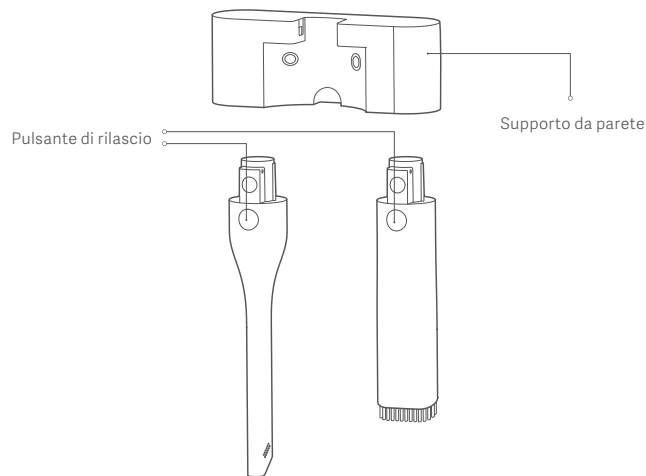
- Quando il livello della batteria è basso, l'indicatore del livello della batteria lampeggia in rosso, ricaricare presto l'aspirapolvere. Se l'aspirapolvere funziona in modalità standard, non è possibile passare alla modalità turbo.
- Se non viene ricaricata in tempo, la tensione della batteria si abbasserà troppo, quindi l'aspirapolvere si spegnerà automaticamente per proteggere la batteria.
- Se l'aspirapolvere si spegne a causa dell'esaurimento della batteria, ricaricarlo tempestivamente. In caso contrario, la batteria potrebbe danneggiarsi a causa della sua scarica eccessiva se non viene utilizzata per un periodo di tempo prolungato.

Note

1. Quando la prendi, c'è una piccola quantità di batteria nell'aspirapolvere. Si consiglia di collegare l'alimentatore per caricare completamente l'aspirapolvere prima del primo utilizzo.
2. Durante la ricarica, l'aspirapolvere non può essere utilizzato.

Conservazione degli accessori

Gli accessori possono essere riposti sul supporto a parete quando non vengono utilizzati. Inserire verticalmente l'ugello lungo o l'ugello piatto nel supporto a parete finché non si sente un clic, con il pulsante di rilascio come nella direzione mostrata nella figura. Per rimuovere gli accessori dal supporto a parete, premere il pulsante di rilascio e contemporaneamente tirarli verso il basso verticalmente.



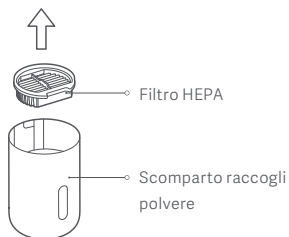
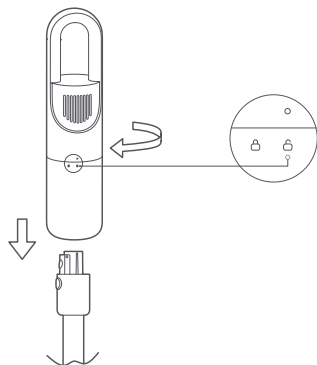
Cura e manutenzione

Nota: Prima di pulire o eseguire la manutenzione dell'aspirapolvere, spegnerlo e scollegarlo.

- Pulire regolarmente lo scomparto polvere per evitare l'accumulo di polvere che potrebbe causare il blocco e influenzare l'aspirazione.
- Per evitare che la polvere cada sul pavimento, tenere lo scomparto della polvere su un bidone della spazzatura per rimuoverlo.

Rimozione e installazione del vano polvere

1. Dopo aver aspirato o quando lo scomparto polvere è pieno, estrarre l'asta di prolunga e ruotare lo scomparto polvere nella direzione mostrata in figura. Quando "o" è allineato con il simbolo di sblocco "Δ", lo scomparto polvere può essere rimosso dall'aspirapolvere.

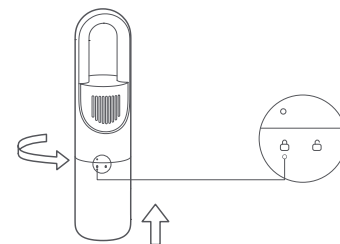


2. Estrarre il filtro HEPA dallo scomparto polvere come mostrato in figura, quindi rimuovere la polvere dalla sua superficie.



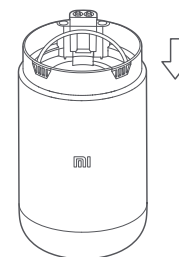
3. Capovolgere la maniglia del separatore a ciclone sopra il bidone della spazzatura per rimuovere il separatore a ciclone dallo scomparto della polvere, come mostrato in figura. Svuotare il contenuto dello scomparto della polvere ed eliminare la polvere dalla superficie del separatore a ciclone.

4. Riposizionare il separatore a ciclone e il filtro HEPA nello scomparto della polvere al termine della pulizia. Allineare il simbolo di sblocco "Δ" con "o" quindi ruotare lo scomparto polvere nella direzione mostrata in figura fino a quando "Δ" non è allineato con il simbolo di blocco "o". Quando si sente un clic, lo scomparto polvere è installato saldamente sull'aspirapolvere.



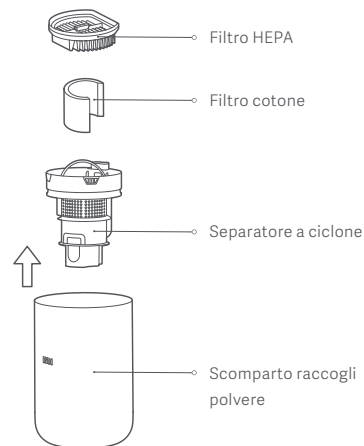
Installazione del separatore a ciclone

Premere il separatore a ciclone verso il basso fino a quando non raggiunge la fine dello scomparto della polvere.



Pulizia dello scomparto della polvere e del gruppo filtro

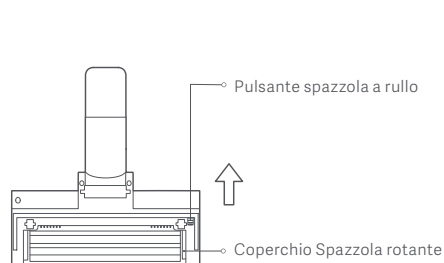
Estrarre successivamente il filtro HEPA, il filtro cotone e il separatore a ciclone dallo scomparto della polvere. Rimuovere l'eventuale polvere dalla superficie, quindi sciacquarli con acqua pulita. Assicurarsi che siano completamente asciutti in un luogo ben ventilato lontano dalla luce solare diretta prima dell'uso. Se necessario, è possibile sostituire il filtro con il modello specificato del filtro HEPA.



Pulizia della spazzola rotante

1. Premere il pulsante della spazzola a rullo come mostrato nella figura per aprire il coperchio della spazzola a rullo, quindi estrarre la spazzola a rullo per pulirla. Dopo che è stata pulita, rimettere a posto la spazzola a rullo e chiudere il coperchio fino a sentire un clic.

2. Eliminare i peli e le fibre attaccate alla spazzola a rullo e rimuoverli.



- Quando si pulisce l'aspirapolvere, utilizzare un panno asciutto. Non utilizzare solventi chimici come benzina, alcool o diluenti per vernici, poiché potrebbero causare la rottura o lo sbiadimento dell'involucro.
- Assicurarsi di spegnere l'aspirapolvere prima di pulire o eseguire la manutenzione.
- Quando il contenitore della polvere è pieno, svuotarlo immediatamente. In caso contrario, potrebbe essere bloccato dallo sporco, compromettendo le prestazioni di aspirazione e provocando il surriscaldamento del motore.
- Si consiglia di sostituire il filtro HEPA ogni 2-3 mesi. Potrebbe essere necessario cambiarlo più spesso se viene utilizzato frequentemente.

Risoluzione dei problemi

Problema	Possibile causa	Soluzione
L'aspirapolvere non funziona	<ol style="list-style-type: none"> 1. Il livello di batteria è scarso. 2. L'aspirapolvere sta funzionando a lungo quindi si è surriscaldato. 3. L'aspirapolvere non è accesa. 4. Quando il condotto dell'aria è stato ostruito per otto secondi, il motore smetterà di funzionare per proteggere il surriscaldamento. 5. Il motore o la batteria sono danneggiati. 	<ol style="list-style-type: none"> 1. Caricare l'aspirapolvere. 2. Raffreddare l'aspirapolvere, quindi usarlo di nuovo. 3. Accendere l'aspirapolvere. 4. Eliminare gli oggetti estranei dal condotto dell'aria, dalla spazzola elettrica per pavimenti, dall'asta di prolunga o dallo scomparto della polvere. 5. Contattare il servizio di assistenza post-vendita per aiuto.
Il livello di aspirazione diminuisce	<ol style="list-style-type: none"> 1. Lo scomparto raccogli polvere è pieno. 2. La spazzola elettrica per pavimenti è bloccata da corpi estranei. 3. Il filtro HEPA è bloccato o non è completamente asciutto dopo la pulizia. 	<ol style="list-style-type: none"> 1. Svuotare il contenuto dello scomparto raccogli polvere. 2. Rimuovere gli oggetti estranei nella spazzola elettrica per pavimenti. 3. Pulire il filtro HEPA o asciugarlo accuratamente.
Il rumore è estremamente forte	<ol style="list-style-type: none"> 1. Lo scomparto raccogli polvere è pieno. 2. Il condotto dell'aria è ostruito. 	<ol style="list-style-type: none"> 1. Svuotare il contenuto dello scomparto raccogli polvere. 2. Eliminare gli oggetti estranei dal condotto dell'aria, dalla spazzola elettrica per pavimenti, dall'asta di prolunga o dallo scomparto della polvere.
La spazzola elettrica per pavimenti smette di funzionare	<ol style="list-style-type: none"> 1. La spazzola elettrica per pavimenti è intasata e smette di funzionare per protezione. 2. La spazzola elettrica per pavimenti non funziona dopo il collegamento all'alimentazione. 	<ol style="list-style-type: none"> 1. Rimuovere gli oggetti aggrovigliati attorno alla spazzola elettrica per pavimenti. 2. Contattare il servizio di assistenza post-vendita per aiuto.
L'aspirapolvere non si può ricaricare	<ol style="list-style-type: none"> 1. Non è ben collegato tra l'alimentatore e la presa elettrica. 2. Non è ben collegato tra l'alimentatore e la porta di ricarica dell'aspirapolvere. 3. L'alimentatore è danneggiato. 	<ol style="list-style-type: none"> 1. Collegare saldamente l'alimentatore alla presa elettrica. 2. Inserire in modalità di sicurezza l'alimentatore nella porta di ricarica. 3. Contattare il servizio di assistenza post-vendita per aiuto.
L'indicatore del livello della batteria lampeggia alternativamente in rosso e bianco	L'alimentatore non è compatibile con l'aspirapolvere.	Per ricaricare l'aspirapolvere, utilizzare esclusivamente l'alimentatore originale.

Nota: Qualsiasi problema si è verificato durante l'uso, fare riferimento alla risoluzione dei problemi sopra per la soluzione. Se il problema persiste, interrompere immediatamente l'uso dell'aspirapolvere e contattare il servizio di assistenza clienti.

Specifiche tecniche

Mi Vacuum Cleaner Light			
Modello	MJWXQC03DY	Corrente in ingresso	0,5 A
Capacità dello scomparto raccogli polvere	Ca. 0,5 L	Peso netto	ca. 2,3 kg
Dimensioni articolo	240 x 148 x 1132 mm	Tempo di ricarica	Ca. 5 ore
Capacità nominale della batteria	2500 mAh	Tensione in ingresso	26,0 V ⁻⁻⁻
Potenza di esercizio	220 W	Emissione di rumore	≤ 79 dB
Durata della batteria (escl. spazzola elettrica per pavimenti)	45 minuti in modalità standard		
	13 minuti in modalità turbo		

der elektrischen Bodenbürste			
Modello	MJWXQC03DY-DS		
Potenza di esercizio	15 W	Tensione di esercizio	21,6 V ⁻⁻⁻

della spazzola elettrica per pavimenti			
Modello	BLJ15W260050P-VA	Efficienza attiva media	84,6%
Ingresso	100-240 V~ 50/60 Hz 0,5A	Efficienza a basso carico (10%)	71,43%
Uscita	26,0 V ⁻⁻⁻ 0,5 A 13,0 W	Consumo di energia a vuoto	0,10 W
Fabbricato da	Zhongshan Baolijin Electronic Co., Ltd.		



Tutti i prodotti contrassegnati da questo simbolo sono rifiuti di apparecchiature elettriche ed elettroniche (RAEE in base alla direttiva 2012/19/UE) che non devono essere smaltiti assieme a rifiuti domestici non differenziati. Al contrario, è necessario proteggere l'ambiente e la salute umana consegnando i rifiuti a un punto di raccolta autorizzato al riciclaggio di rifiuti di apparecchiature elettriche ed elettroniche, predisposto dalla pubblica amministrazione o dalle autorità locali. Lo smaltimento e il riciclaggio corretti aiutano a prevenire conseguenze potenzialmente negative all'ambiente e alla salute umana. Contattare l'installatore o le autorità locali per ulteriori informazioni sulla sede e per i termini e le condizioni di tali punti di raccolta.

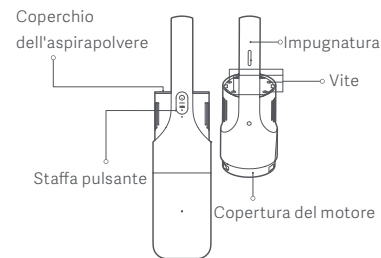
Precauzioni per l'uso della batteria

- L'aspirapolvere è in modalità standby e non può essere utilizzato durante la ricarica.
- La batteria agli ioni di litio contiene sostanze pericolose per l'ambiente. Prima di gettare via l'aspirapolvere, rimuovere la batteria, quindi smaltirlo o riciclarlo in conformità alle leggi e alle normative locali del Paese o dell'area in cui viene utilizzato.

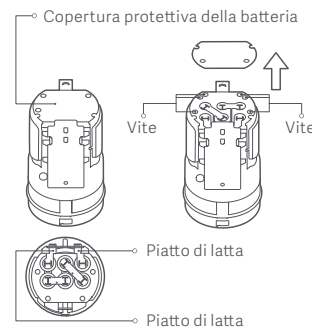
Nota: L'aspirapolvere deve essere spento prima di rimuovere la batteria.
La batteria deve essere smaltita in modo sicuro.

Come rimuovere la batteria

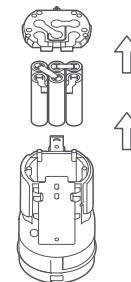
1. Utilizzare un cacciavite dritto per rimuovere il pulsante di accensione/spengimento e la staffa del pulsante, quindi utilizzare uno strumento per forzare il coperchio dell'aspirapolvere. Quindi, utilizzare un cacciavite per svitare le quattro viti. Quindi è possibile tirare il manico e il coperchio del motore per separare il pacco batteria.



2. Rimuovere il coperchio protettivo della batteria, quindi allentare le quattro viti sul coperchio con un cacciavite. Usare una forbice per tagliare il piatto di latta che collega la batteria e la scheda PCB.



3. Dopo aver rimosso la staffa superiore, è possibile estrarre il pacco batteria dalla staffa inferiore. Quindi è possibile smaltire la batteria in conformità con le leggi e le normative locali.



Consignes relatives à la sécurité

Ce produit est conçu pour une utilisation domestique uniquement. Lisez attentivement ce manuel avant toute utilisation et conservez-le pour pouvoir le consulter ultérieurement.

- Cet appareil peut être utilisé par des enfants de 8 ans et plus, ainsi que par des personnes aux aptitudes physiques, sensorielles ou mentales réduites ou encore manquant d'expérience et de connaissances, à condition qu'ils soient surveillés ou sensibilisés à l'utilisation sécurisée de l'appareil et qu'ils aient compris les risques impliqués. Il est déconseillé de laisser les enfants jouer avec l'appareil. Le nettoyage et l'entretien ne doivent pas être effectués par un enfant sans surveillance.
- L'appareil ne doit être utilisé qu'avec le bloc d'alimentation fourni avec l'appareil.
- Cet appareil contient des batteries non remplaçables.
- Si le chargeur est endommagé, vous devez le remplacer par une pièce dédiée achetée auprès du fabricant ou de son service après-vente.
- Cet aspirateur n'est pas un jouet. Les enfants ne peuvent pas jouer avec ou utiliser ce produit. Veuillez faire attention lorsque vous utilisez l'aspirateur près d'enfants. Ne laissez pas les enfants nettoyer ou effectuer une maintenance de l'aspirateur, sauf s'ils sont sous la supervision d'un parent ou tuteur.
- Utilisez l'aspirateur à l'intérieur, sur des surfaces sèches uniquement. Ce produit ne doit pas être installé, chargé ou utilisé à l'extérieur, dans une salle de bains ou autour d'une piscine.
- Ne touchez pas la prise, ni aucun élément de l'aspirateur avec des mains humides.
- Afin de réduire le risque d'incendie, d'explosion ou de blessure corporelle, veuillez vérifier que la batterie lithium-ion et le chargeur ne sont pas endommagés avant utilisation. N'utilisez pas l'aspirateur si la batterie ou le chargeur n'est pas en bon état.
- La barre de brosse à couple élevé, la mini brosse électrique, la batterie, la tige de rallonge et l'aspirateur sont conducteurs d'électricité et ne doivent pas être immergés dans l'eau ou tout autre liquide. Vérifiez que toutes les pièces sont complètement sèches après les avoir nettoyées.
- Afin d'éviter toute blessure causée par les pièces mobiles, éteignez l'aspirateur avant de nettoyer la barre de brosse à couple élevé et la mini brosse électrique. La barre de brosse à couple élevé, le compartiment à poussière et le filtre doivent être installés correctement avant utilisation de l'aspirateur.
- N'utilisez pas l'aspirateur pour aspirer des liquides inflammables ou combustibles, comme de l'essence, de l'eau de javel, de l'ammoniaque, des nettoyeurs pour canalisations ou tout autre liquide, y compris de l'eau.
- N'utilisez pas l'aspirateur pour aspirer des particules de plâtre, des cendres, des matériaux de combustion ou des substances fumigènes, tels que du charbon, des

mégots de cigarette ou des allumettes.

- N'utilisez pas l'aspirateur pour aspirer des objets durs ou pointus, comme du verre, des clous, des vis ou des pièces de monnaie, sous peine d'endommager le produit.
- Gardez les cheveux, les vêtements, les doigts ou autre partie du corps à l'écart des éléments mobiles ou pouvant s'ouvrir. Ne pointez pas le suceur, le tube ni tout autre accessoire vers vos yeux ou vos oreilles. Ne les mettez pas dans votre bouche.
- Ne placez aucun objet dans les orifices de l'aspirateur. N'utilisez pas l'aspirateur en cas d'obstruction d'un des orifices. Retirez la poussière, les peluches, les cheveux ou tout autre élément susceptible de réduire le flux d'air.
- Ne posez pas l'aspirateur contre une chaise, une table ou toute autre surface instable, car cela pourrait endommager le produit ou entraîner des blessures corporelles. Si l'aspirateur fonctionne mal après être tombé ou avoir été endommagé, veuillez contacter le service après-vente agréé. Ne tentez jamais de démonter l'appareil vous-même.
- Utilisez uniquement le chargeur d'origine pour charger le produit dans les environnements ayant une température ambiante de 0 °C à 35 °C. Sinon, la batterie risque de subir des dommages.
- Le compartiment à poussière, le préfiltre, l'ensemble cyclone et le filtre HEPA doivent être correctement installés avant utilisation de l'aspirateur.
- Veillez à débrancher l'aspirateur lorsqu'il n'est pas utilisé pendant une période prolongée ou avant tout entretien ou toute réparation.
- Soyez extrêmement vigilant lorsque vous utilisez l'aspirateur pour nettoyer un escalier.
- **AVERTISSEMENT:** N'appliquez aucun parfum sur le filtre de l'aspirateur. Ces types de produits contiennent généralement des produits chimiques inflammables, à cause desquels l'aspirateur pourrait prendre feu.
- NE PAS exposer l'appareil aux flammes, car elles peuvent entraîner une explosion.
- NE PAS exposer à ou submerger l'appareil dans de l'eau, de l'eau salée et tout autre liquide.
- Veuillez suivre scrupuleusement les instructions figurant dans le présent manuel d'utilisation lors de l'utilisation de l'aspirateur. Les utilisateurs sont responsables de toute perte ou dommage résultant d'une utilisation incorrecte de cet aspirateur.
- Pour obtenir un manuel électronique détaillé, rendez-vous sur le site www.mi.com/global/service/userguide



Par la présente, nous, Guangdong Deerma Technology Co., Ltd., déclarons que cet équipement est conforme aux directives et normes européennes applicables, ainsi qu'à leurs amendements. L'intégralité de la déclaration de conformité pour l'UE est disponible à l'adresse suivante : <http://www.mi.com/global/service/support/declaration.html>

Présentation du produit

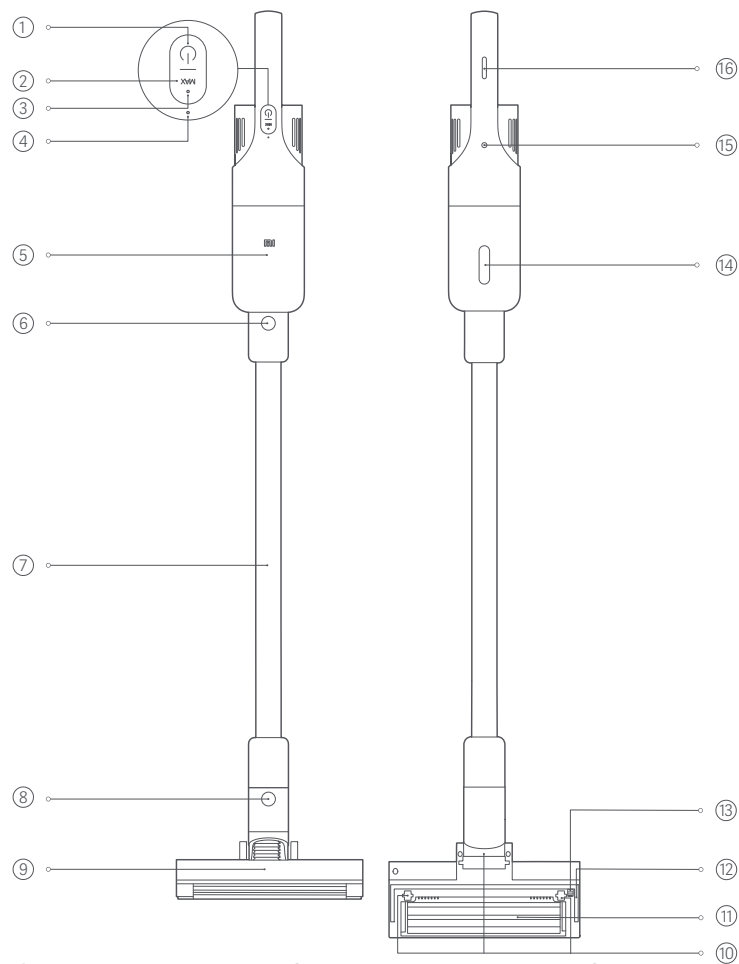
Équipé d'un moteur sans brosse ultra-rapide, le Mi Vacuum Cleaner Light présente des fonctionnalités, notamment une puissante capacité d'aspiration et un système de filtration hautement efficace.

- Moteur sans brosse ultra-rapide : Fonctionne rapidement avec un rendement stable de forte aspiration pour un nettoyage rapide.
- Aspiration puissante : Aspiration rapide d'infimes et de grandes particules avec une grande efficacité pour nettoyer en profondeur l'ensemble de la maison.
- Haute efficacité de filtration : Le système à séparation cyclonique compose d'une fine maille en acier, d'un filtre coton et d'un filtre HEPA, sépare les grosses particules de poussière des fines particules de poussière, puis retient la poussière de sorte qu'elle ne ressorte plus pour empêcher les polluants secondaires.
- Poids léger et multifonctionnel : L'aspirateur léger et compact fonctionne avec des accessoires, à savoir une légère tige d'extension métallique, une brosse à planchers électrique, un embout aplati et un embout long pour nettoyer l'ensemble de la maison facilement et de manière efficace.

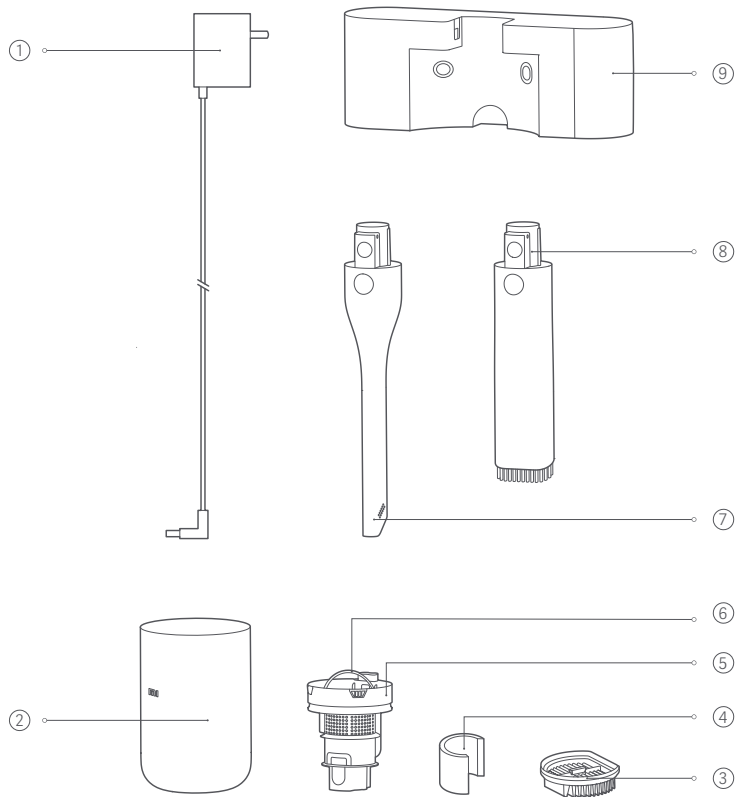
Contenu du paquet

Nom :	Quantité
Aspirateur	1
Tige d'extension	1
Brosse à planchers électrique	1
Embout aplati	1
Embout long	1
Manuel d'utilisation	1
Support mural	1
Adaptateur secteur	1
Cheville murale	2
Vis	2

Présentation du produit



- | | | |
|---|---------------------------------------|------------------------------|
| ① Bouton Marche/Arrêt | ② Bouton de niveau d'aspiration | ③ Voyant MAX |
| ④ Voyant du niveau de batterie | ⑤ Compartiment à poussière | |
| ⑥ Bouton de débrayage de la tige d'extension | ⑦ Tige d'extension | |
| ⑧ Bouton de débrayage de la brosse à planchers électrique | ⑨ Créneau de la brosse à planchers | |
| ⑩ Roues | ⑪ Brosse à roulette | ⑫ Brosse de nettoyage souple |
| ⑬ Bouton de la brosse à roulette | ⑭ Créneau du compartiment à poussière | |
| ⑮ Port de charge de l'aspirateur | ⑯ Bande antidérapante | |

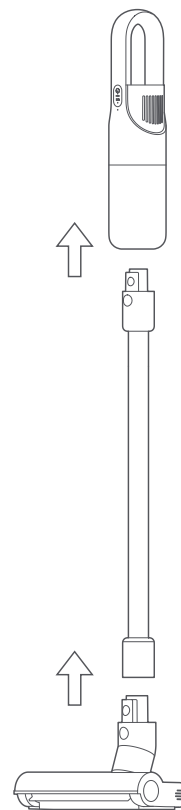


- | | | |
|----------------------|----------------------------|---------------------------------|
| ① Adaptateur secteur | ② Compartiment à poussière | ③ Filtre HEPA |
| ④ coton filtre | ⑤ Séparateur cyclone | ⑥ Poignée du séparateur cyclone |
| ⑦ Embout long | ⑧ Embout aplati | ⑨ Support mural |

Procédure d'installation

Assemblage de l'aspirateur

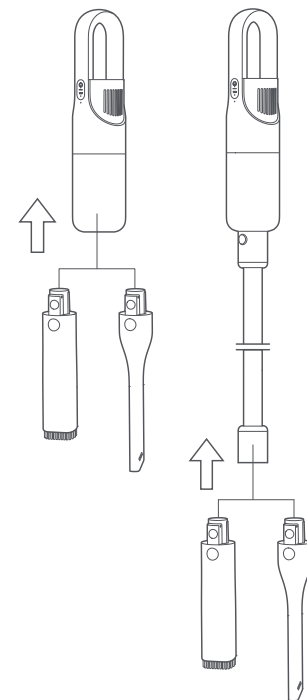
1. Connecter la tige d'extension à l'aspirateur comme le montre l'illustration, jusqu'à l'émission d'un clic.
2. Connecter la brosse à planchers électrique à la tige d'extension, comme le montre l'illustration, jusqu'à l'émission d'un clic.



Installation des accessoires

1. L'embout long et l'embout aplati peuvent être connectés directement à l'aspirateur ou à la tige d'extension.
2. Insérer l'embout long ou l'embout aplati dans l'aspirateur ou la tige d'extension de manière verticale, comme le montre l'illustration, jusqu'à l'émission d'un clic.

Remarque : L'embout long est approprié pour nettoyer la poussière à partir des espaces réduits, tels que les portes, les fenêtres, les escaliers et les recoins. L'embout aplati est parfait pour nettoyer la poussière des sièges du salon, les meubles de rangement et les bureaux ou les surfaces de pupitre.

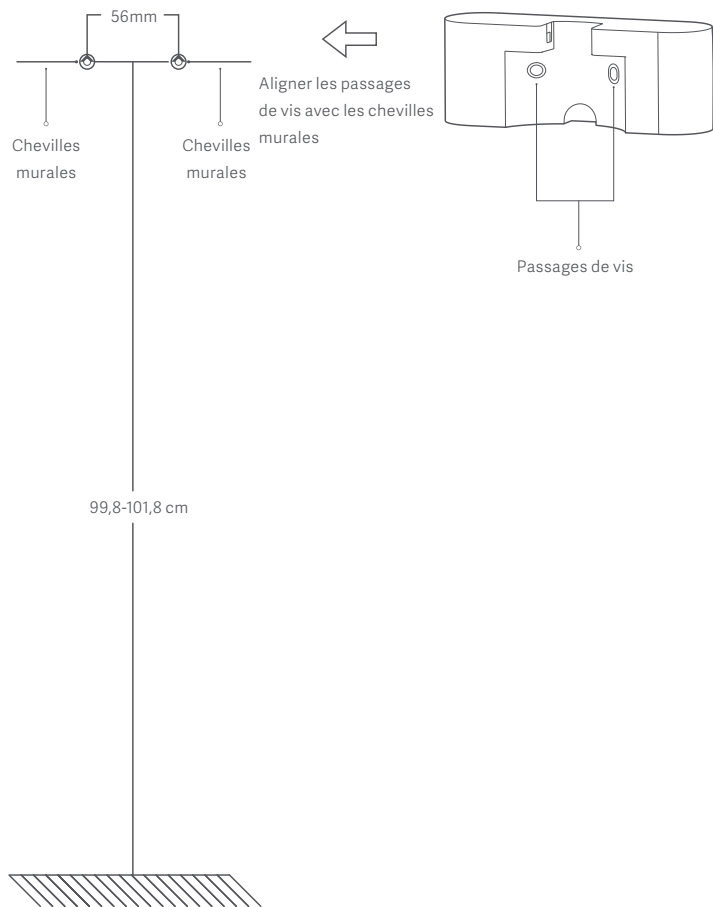


Fixation du support mural

1. Percer deux trous d'un diamètre de 6 mm chacun sur le mur à une hauteur comprise entre 99,8 cm et 101,8 cm au-dessus du sol. Se rassurer que les trous sont distants l'un de l'autre de 56 mm, puis insérer deux chevilles murales dans les trous.

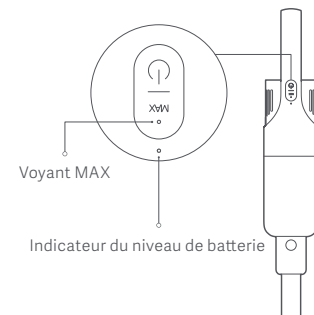
2. Aligner les passages de vis dans le support mural avec les chevilles murales, puis utiliser deux vis (4 × 20 mm) pour fixer solidement le support mural au mur.

Remarque : Il est recommandé de fixer le support mural près d'une prise électrique de manière à le brancher facilement à la source d'alimentation électrique.



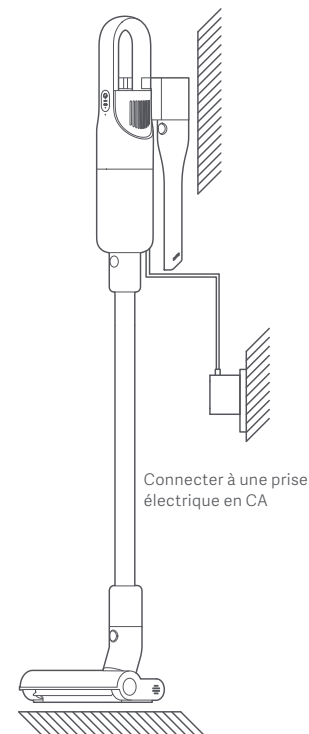
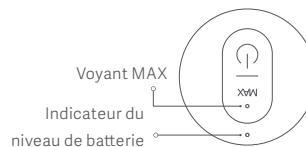
Utilisation

- Allumer / Éteindre : Appuyez sur le bouton marche / arrêt (⏻) et maintenez-le enfoncé pendant 1 seconde, ensuite l'aspirateur commence à fonctionner et il fonctionne en mode standard par défaut. Appuyer à nouveau le bouton marche/arrêt pour arrêter l'aspirateur.
- Changement de mode : Lorsque l'aspirateur est en fonctionnement, appuyer sur le bouton de niveau d'aspiration pour basculer au mode turbo (niveau MAX) ; entre-temps, le voyant MAX est blanc. Appuyer à nouveau sur le bouton de niveau d'aspiration pour basculer au mode ordinaire.
- Indicateur du niveau de batterie : Lorsque le niveau de batterie est suffisant, l'indicateur du niveau de batterie est blanc. Lorsque l'aspirateur fonctionne avec un niveau de batterie faible, le voyant est rouge ; si tel est le cas, l'aspirateur ne peut pas être allumé en mode turbo. Lorsque la batterie est épuisée, l'aspirateur s'éteint automatiquement.



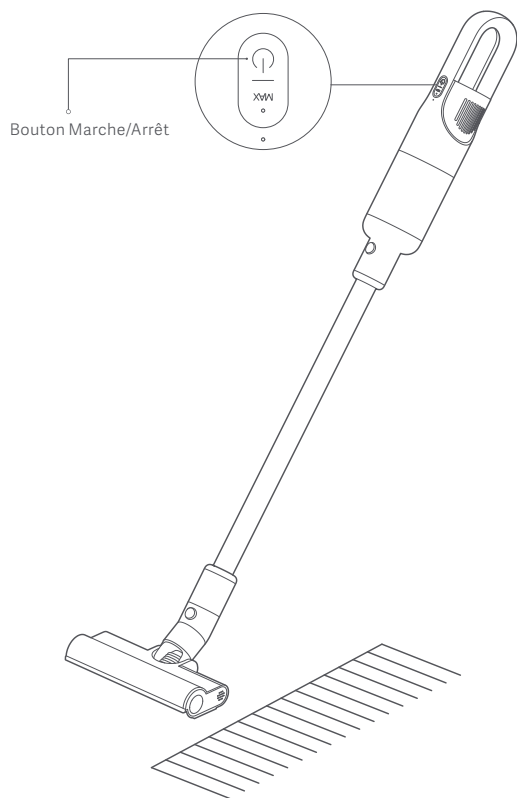
Méthode de recharge

1. Avant de recharger, se rassurer que l'adaptateur secteur est bien connecté à la prise électrique et à l'aspirateur.
2. Pendant la recharge, l'indicateur du niveau de batterie respire. Une fois la batterie complètement chargée, l'indicateur de niveau de batterie s'éteint.
3. Si vous chargez l'aspirateur alors que sa batterie est pleine, l'indicateur de niveau de batterie clignotera 20 secondes puis s'éteindra.



Activation/extinction et nettoyage

- Appuyez sur le bouton marche / arrêt (⏻) et maintenez-le enfoncé pendant 1 seconde, ensuite l'aspirateur commence à fonctionner et il fonctionne en mode standard par défaut. Vous pouvez changer de mode comme vous désirez.
- Tenir la poignée de l'aspirateur en le poussant à l'avant et à l'arrière pour aspirer et nettoyer le plancher à l'aide de la brosse à planchers. Vous pouvez également utiliser l'embout long ou l'embout aplati en fonction de vos besoins.
- Appuyer à nouveau le bouton marche/arrêt pour arrêter l'aspirateur.



Pendant le fonctionnement de l'aspirateur

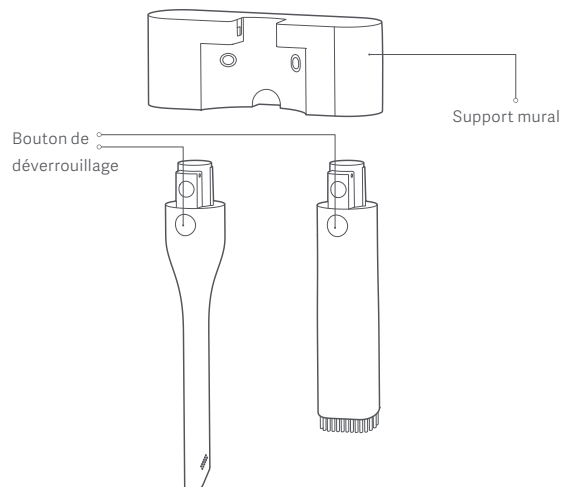
- Lorsque le niveau de batterie est faible, l'indicateur du niveau de batterie clignotera rouge. Veuillez recharger l'aspirateur le plus tôt possible. Si l'aspirateur fonctionne sur le mode ordinaire, il ne peut pas être basculé au mode turbo.
- Si l'aspirateur n'est pas rechargé à temps, la tension de la batterie s'affaiblira, puis il s'éteindra automatiquement afin de protéger la batterie.
- Si l'aspirateur s'éteint du fait de l'épuisement de la batterie, veuillez le recharger à temps. Sinon, la batterie peut s'endommager du fait de sa décharge excessive, s'il n'est pas utilisé sur une période prolongée.

Remarques

- Le niveau de la batterie de l'aspirateur est bas lorsque vous l'achetez. Il est recommandé de connecter l'adaptateur secteur pour recharger complètement l'aspirateur avant sa toute première utilisation.
- Pendant la recharge, l'aspirateur ne peut pas être utilisé.

Conservation des accessoires

Les accessoires peuvent être conservés sur le support mural lorsqu'ils ne sont pas utilisés. Insérer verticalement l'embout long ou l'embout aplati dans le support mural jusqu'à l'émission d'un clic, avec le bouton de débrayage comme indiqué dans le dessin. Pour retirer les accessoires du support mural, appuyez sur le bouton de déverrouillage et tirez-les simultanément vers le bas verticalement.



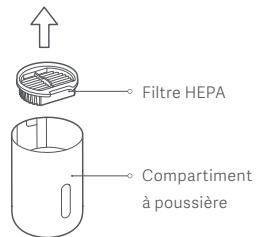
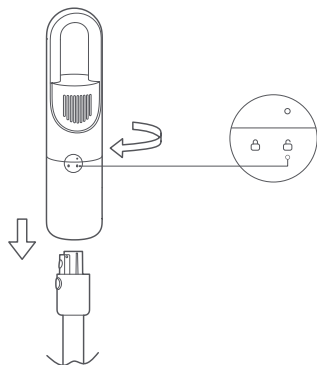
Entretien et maintenance

Remarque : Avant le nettoyage ou d'effectuer la maintenance de l'aspirateur, l'arrêter et le débrancher.

- Nettoyer régulièrement le compartiment à poussière afin d'éviter l'accumulation de poussière qui est susceptible de causer un blocage et affecter l'aspiration.
- Pour empêcher le dépôt de la poussière sur le plancher, tenir le compartiment à poussière au-dessus de la poubelle pour la retirer.

Retrait et Installation du compartiment à poussière

1. Au terme du nettoyage ou lorsque le compartiment à poussière est plein, tirer la tige d'extension et tourner le compartiment à poussière dans la direction indiquée sur le dessin. Lorsque «o» est aligné avec le symbole de déverrouillage «△», le compartiment à poussière peut être retiré de l'aspirateur.

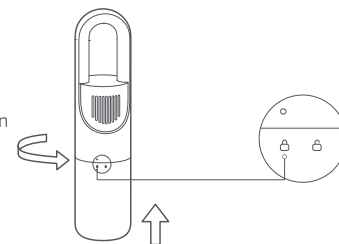


2. Sortir le filtre HEPA du compartiment à poussière comme l'indique l'image, puis retirer la poussière de sa surface.



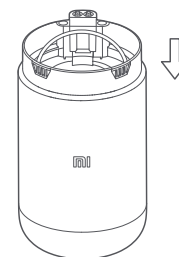
3. Retournez la poignée du séparateur cyclone sur la poubelle pour retirer le séparateur cyclone du compartiment à poussière, comme indiqué sur la figure, puis videz le contenu du compartiment à poussière et enlevez toute poussière de la surface du séparateur cyclone.

4. Remettre le séparateur hydrocyclone et le filtre HEPA dans l'aspirateur une fois le nettoyage terminé. Aligner le symbole de déverrouillage «△» avec «o» puis tourner le compartiment à poussière dans la direction indiquée sur l'image, jusqu'à «o» est aligné avec le symbole de verrouillage «△». Une fois qu'un clic est émis, le conduit du compartiment est bien installé dans l'aspirateur.



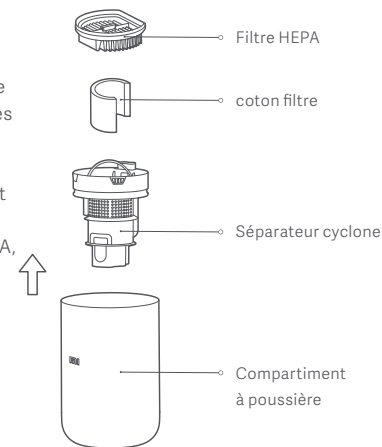
Installation du séparateur hydrocyclone

Appuyez sur le séparateur cyclone vers le bas jusqu'à ce qu'il atteigne l'extrémité du compartiment à poussière.



Nettoyage du compartiment à poussière et du filtre

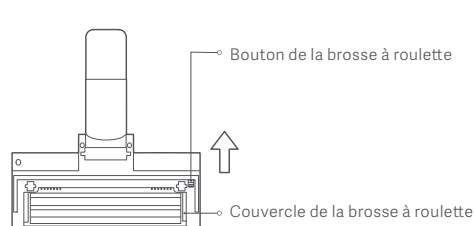
Sortez successivement le filtre HEPA, le coton filtre et le séparateur cyclone du compartiment à poussière. Retirez toute poussière sur leur surface, puis rincez-les à l'eau claire. Assurez-vous qu'ils sont bien secs dans un endroit bien ventilé à l'abri de la lumière directe du soleil avant utilisation. Vous pouvez remplacer le filtre par le modèle spécifié du filtre HEPA, cas échéant.



Nettoyage de la brosse à roulette

1. Appuyer le bouton de la brosse à roulette comme indiqué sur le dessin pour ouvrir le couvercle de la brosse à roulette, puis sortir la brosse à roulette pour la nettoyer. Au terme de son nettoyage, remettre en place la brosse à roulette et fermer le couvercle jusqu'à l'émission d'un clic.

2. Coupez les cheveux et les fibres attachés à la brosse à rouleau et retirez-les.



- Lors du nettoyage de l'aspirateur, utiliser un tissu sec. Ne pas utiliser de dissolvants chimiques comme l'essence, l'alcool ou le diluant à laque. Ces substances peuvent causer des fissures ou de la flétriçsure.
- Assurez-vous d'éteindre l'aspirateur avant de le nettoyer ou d'effectuer tout entretien.
- Lorsque le compartiment à poussière est plein, veuillez le vider aussitôt. Sinon, il peut être bloqué par les saletés. Ce qui affecte la capacité d'aspiration et cause la surchauffe du moteur.
- Il est recommandé de remplacer le filtre HEPA tous les 2-3 mois. Vous pouvez le changer le plus tôt si vous l'utilisez de manière fréquente.

Dépannage

Problème	Cause possible	Solution
L'aspirateur ne fonctionne pas.	<ol style="list-style-type: none"> 1. Le niveau de la batterie est faible. 2. L'aspirateur fonctionne pendant un long moment au point où il surchauffe. 3. L'aspirateur n'est pas allumé. 4. Lorsque le conduit d'air est obstrué pendant huit secondes, le moteur arrête de fonctionner pour éviter la surchauffe. 5. Le moteur ou la batterie est endommagé. 	<ol style="list-style-type: none"> 1. Charger l'aspirateur. 2. Laisser l'aspirateur se refroidir, puis l'utiliser à nouveau. 3. Allumer l'aspirateur. 4. Dégager les corps étrangers présents dans le conduit d'air, la brosse à planchers électrique, la tige d'extension ou le compartiment à poussière. 5. Veuillez contacter le service après-vente pour l'assistance.
Le niveau d'aspiration décroît.	<ol style="list-style-type: none"> 1. Le compartiment à poussière est plein. 2. La brosse à planchers électrique est bloquée par des corps étrangers. 3. Le filtre HEPA est bloqué ou n'est pas complètement sec après le nettoyage. 	<ol style="list-style-type: none"> 1. Vider le contenu du compartiment à poussière. 2. Retirer les corps étrangers présents dans la brosse à planchers électrique. 3. Nettoyer le filtre HEPA ou le sécher entièrement.
Le bruit est extrêmement fort.	<ol style="list-style-type: none"> 1. Le compartiment à poussière est plein. 2. Le conduit d'air s'est engorgé. 	<ol style="list-style-type: none"> 1. Vider le contenu du compartiment à poussière. 2. Dégager les corps étrangers présents dans le conduit d'air, la brosse à planchers électrique, la tige d'extension ou le compartiment à poussière.
La brosse à planchers électrique cesse de fonctionner.	<ol style="list-style-type: none"> 1. La brosse à planchers électrique est bloquée au point de cesser de fonctionner pour sa protection. 2. La brosse à planchers électrique ne fonctionne pas après avoir branché l'aspirateur à une source d'alimentation. 	<ol style="list-style-type: none"> 1. Retirer les objets coincés autour de la brosse à planchers électrique. 2. Veuillez contacter le service après-vente pour l'assistance.
L'aspirateur ne peut pas être chargé.	<ol style="list-style-type: none"> 1. La connexion entre l'adaptateur secteur et la prise électrique n'est bien effectuée. 2. La connexion entre l'adaptateur secteur et le port de charge de l'aspirateur n'est bien effectuée. 3. L'adaptateur secteur est endommagé. 	<ol style="list-style-type: none"> 1. Brancher solidement l'adaptateur secteur dans la prise électrique. 2. Brancher l'adaptateur secteur dans le port de charge de manière sécurisée. 3. Veuillez contacter le service après-vente pour l'assistance.
L'indicateur du niveau de batterie clignote rouge et blanc de façon alternée.	L'adaptateur secteur n'est pas compatible avec l'aspirateur.	Utiliser uniquement l'adaptateur secteur d'origine pour recharger l'aspirateur.

Remarque : Pour toute anomalie qui se produit pendant l'utilisation, veuillez consulter les indications ci-dessus relatives au réglage de panne pour avoir une solution. Si le problème persiste, veuillez immédiatement cesser l'utilisation de l'aspirateur et contacter le service après-vente pour obtenir de l'aide.

Caractéristiques

Mi Vacuum Cleaner Light			
Modèle	MJWXQC03DY	Courant d'entrée	0,5 A
Capacité du compartiment à poussière	Environ 0,5 L	Poids net	Environ 2,3 kg
Dimensions du produit	240 × 148 × 1132 mm	Temps de charge	Environ 5 heures
Capacité nominale de la batterie	2500 mAh	Tension d'entrée	26,0 V ---
Puissance de fonctionnement	220 W	Émission de bruit	≤ 79 dB
Durée de vie de la batterie (la brosse à planchers électrique exclue)	45 minutes en mode ordinaire		
	13 minutes en mode turbo		

de la brosse à planchers électrique			
Modèle	MJWXQC03DY-DS		
Puissance de fonctionnement	15 W	Tension de fonctionnement	21,6 V ---

Adaptateur secteur			
Modèle	BLJ15W260050P-VA	Efficacité moyenne active	84,6 %
Entrée	100-240 V- 50/60 Hz 0,5 A	Efficacité à faible charge (10 %)	71,43 %
Sortie	26,0 V --- 0,5 A 13,0 W	Consommation à faible puissance	0,10 W
Fabricant	Zhongshan Baolijin Electronic Co., Ltd.		



Tous les produits portant ce symbole deviennent des déchets d'équipements électriques et électroniques (DEEE dans la Directive européenne 2012/19/UE) qui ne doivent pas être mélangés aux déchets ménagers non triés. Vous devez contribuer à la protection de l'environnement et de la santé humaine en apportant l'équipement usagé à un point de collecte dédié au recyclage des équipements électriques et électroniques, agréé par le gouvernement ou les autorités locales. Le recyclage et la destruction appropriés permettront d'éviter tout impact potentiellement négatif sur l'environnement et la santé humaine. Contactez l'installateur ou les autorités locales pour obtenir plus d'informations concernant l'emplacement ainsi que les conditions d'utilisation de ce type de point de collecte.

Précautions en matière d'utilisation de la batterie

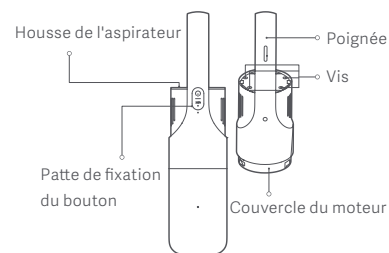
- L'aspirateur est en mode ordinaire et ne peut être utilisé pendant qu'il charge.
- La batterie lithium-ion contient des substances qui sont dangereuses pour l'environnement. Avant de mettre l'aspirateur au rebut, retirez d'abord la batterie pour la jeter ou la recycler conformément à la législation et à la réglementation locales du pays ou de la région dans lequel ou laquelle il est utilisé.

Remarque : L'aspirateur doit être éteint avant de retirer la batterie.

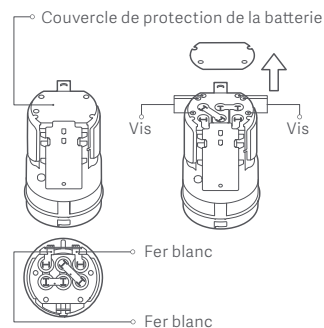
La batterie doit être mise au rebut de manière sûre.

Retrait de la batterie

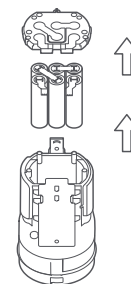
1. Utiliser un tournevis droit pour retirer le bouton d'activation/extinction et la patte de fixation du bouton, puis utiliser un outil pour ouvrir le couvercle de l'aspirateur. Ensuite, utiliser un tournevis pour dévisser les quatre vis. Puis, tirer la poignée et le couvercle du moteur pour séparer le bloc de batterie.



2. Retirer le couvercle de protection de la batterie, puis dévisser les quatre vis sur le couvercle à l'aide d'un tournevis. Utiliser une paire de ciseaux pour couper le fer blanc qui connecte la batterie et le panneau PCB.



3. Après avoir retiré le support supérieur, le bloc de batterie peut être retiré du support inférieur. Puis il vous est possible vous débarrasser de la batterie conformément à la législation locale.



Instrucciones de seguridad

Este producto es exclusivo para uso doméstico. Lea detenidamente este manual antes de usar el producto y consérvelo para futuras consultas.

- Este aparato puede ser utilizado por niños de 8 años en adelante y por personas con capacidades sensoriales, mentales o físicas reducidas o con falta de experiencia, siempre y cuando estén bajo la supervisión de un adulto, se les hayan proporcionado instrucciones sobre el uso del producto y se les haya advertido de los riesgos implícitos. Los niños no deben jugar con el aparato. La limpieza y el mantenimiento por parte del usuario no deben realizarse por niños sin supervisión de un adulto.
- El aparato sólo debe utilizarse con la fuente de alimentación suministrada con él. Este aparato contiene baterías que no son reemplazables.
- Si el adaptador de corriente se daña, debe ser reemplazado por un componente original comprado al fabricante o al departamento de servicio postventa.
- La aspiradora no es un juguete. No deje que los niños jueguen con el producto ni lo utilicen. Tenga especial cuidado al utilizar la aspiradora cerca de niños. No deje que los niños limpien ni realicen tareas de mantenimiento en la aspiradora, a menos que estén supervisados por un adulto o tutor.
- Utilice la aspiradora únicamente sobre superficies secas de interior. No monte, cargue ni utilice el producto en exteriores, cuartos de baño o cerca de piscinas. No toque el enchufe ni ninguna otra parte de la aspiradora con las manos mojadas.
- Para reducir los riesgos de incendio, explosión o lesión personal, compruebe que la batería de iones de litio y el cargador no presenten daños antes de usar el producto. No utilice la aspiradora si la batería o el cargador presenta algún daño.
- La barra del cepillo de alto par, el minicepillo eléctrico, la batería, la varilla de extensión y la aspiradora son conductores eléctricos, por lo que no se deben sumergir en agua ni en ningún líquido. Asegúrese de que todas las piezas están completamente secas después de limpiarlas.
- Para evitar lesiones provocadas por piezas móviles, apague la aspiradora antes de limpiar la barra del cepillo de alto par y el minicepillo eléctrico. La barra del cepillo de alto par, el compartimento para el polvo y el filtro deben estar bien instalados antes de usar la aspiradora.
- No utilice la aspiradora para recoger líquidos inflamables o combustibles, como gasolina, lejía, amoníaco o limpiadores de desague; ni otros líquidos, como el agua.
- No utilice la aspiradora para recoger partículas de yeso, cenizas (como las de la chimenea) o materiales humeantes o combustibles (como carbón, colillas de cigarrillos o cerillas).

- No utilice la aspiradora para recoger objetos afilados o duros, como vidrio, clavos, tornillos o monedas, que puedan dañar el producto.
- Mantenga el cabello, la ropa suelta, los dedos y todas las partes del cuerpo lejos de las aberturas y las partes móviles de la aspiradora. No apunte la abertura de succión, la varilla de extensión ni ningún otro accesorio a sus ojos u oídos, ni se los ponga en la boca.
- Mantenga el cabello, la ropa suelta, los dedos y todas las partes del cuerpo lejos de las aberturas y las partes móviles de la aspiradora. No apunte la abertura de succión, la varilla de extensión ni ningún otro accesorio a sus ojos u oídos, ni se los ponga en la boca.
- No meta ningún objeto en las aberturas de la aspiradora, ni utilice la aspiradora en caso de que tenga alguna abertura bloqueada. Mantenga el producto libre de polvo, pelusas, pelos y otros elementos, ya que podrían reducir el flujo de aire.
- No apoye la aspiradora en sillas, mesas ni en superficies poco estables ya que se podría dañar el producto o provocar lesiones personales. Si la aspiradora no funciona correctamente debido a que se ha caído o dañado, póngase en contacto con el departamento de servicio técnico autorizado. No intente desmontar la aspiradora por su cuenta.
- Utilice únicamente el cargador original para cargar el producto en entornos con una temperatura ambiente de entre 0 °C y 35 °C. De lo contrario, la batería podría sufrir daños.
- La tapa del compartimento para el polvo, el prefiltro, el ciclón y el filtro HEPA deben estar bien instalados antes de usar la aspiradora.
- Asegúrese de que la aspiradora esté desconectada cuando no se utilice durante períodos prolongados, así como antes de realizar cualquier tipo de mantenimiento o reparación.
- Tenga especial cuidado al usar la aspiradora para limpiar escaleras.
- **ADVERTENCIA:** No aplique ningún tipo de fragancia al filtro de la aspiradora. Se sabe que estos tipos de productos contienen productos químicos inflamables que pueden hacer que la aspiradora se incendie.
- NO exponga el aparato al fuego, ya que podría provocar una explosión.
- NO exponga ni sumerja el aparato en agua, agua salada ni otros líquidos.
- Por favor, siga estrictamente las instrucciones incluidas en este manual de usuario cuando utilice la aspiradora. Los usuarios serán responsables de las pérdidas o los daños provocados por utilizar la aspiradora de manera indebida.
- Para un manual electrónico detallado, vaya a www.mi.com/global/service/userguide



Nosotros, Guangdong Deerma Technology Co., Ltd., por la presente, declaramos que el equipo cumple con las Directivas y Normas Europeas aplicables y las enmiendas. Encontrará el texto completo de la declaración de conformidad de la UE en esta dirección de Internet: <http://www.mi.com/global/service/support/declaration.html>

Descripción del producto

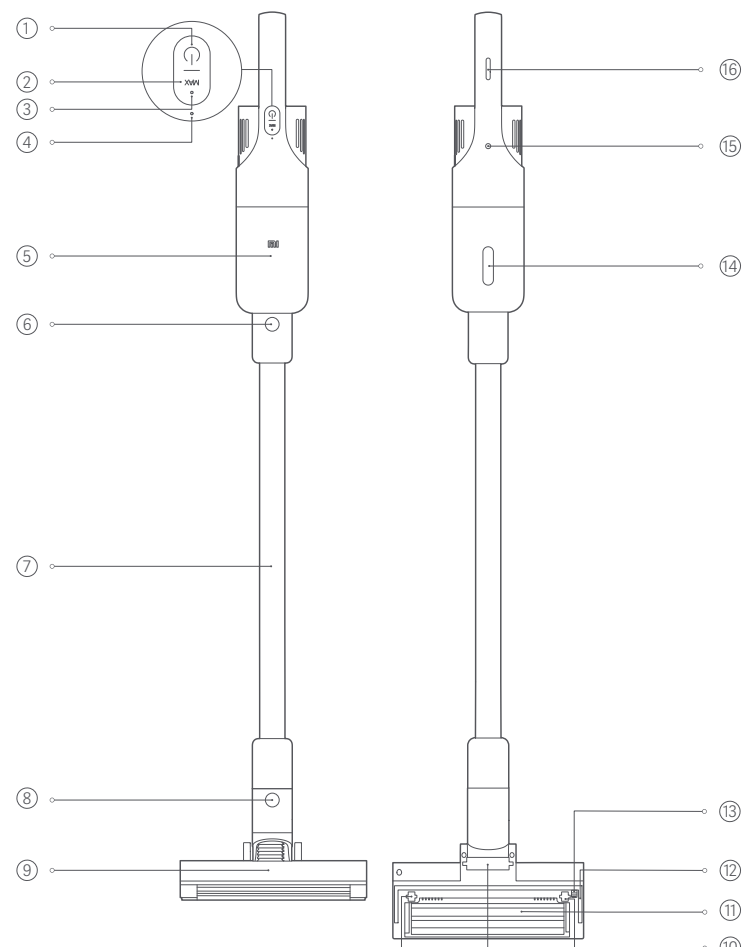
Equipada con un motor sin escobillas de alta velocidad, la Mi Vacuum Cleaner Light cuenta con características como la potente succión y un sistema de filtración de alta eficiencia.

- **Motor sin cepillos de alta velocidad:** Funciona rápidamente con una salida estable de fuerte succión para aspirar rápidamente.
- **Succión potente:** Succión rápida de partículas pequeñas y grandes con alta eficiencia para limpiar profundamente toda la casa.
- **Filtración de alta eficiencia:** El sistema de separación ciclónica que se compone de una fina malla de acero, algodón filtrante y un filtro HEPA, separa el polvo de partículas grandes del polvo fino, y luego atrapa el polvo para que no vuelva a salir para evitar los contaminantes secundarios.
- **Ligero y multiusos:** La aspiradora compacta y ligera funciona con accesorios como una varilla de extensión de metal ligero, un cepillo eléctrico para el suelo, una boquilla plana y una boquilla larga para limpiar toda la casa de manera fácil y eficiente.

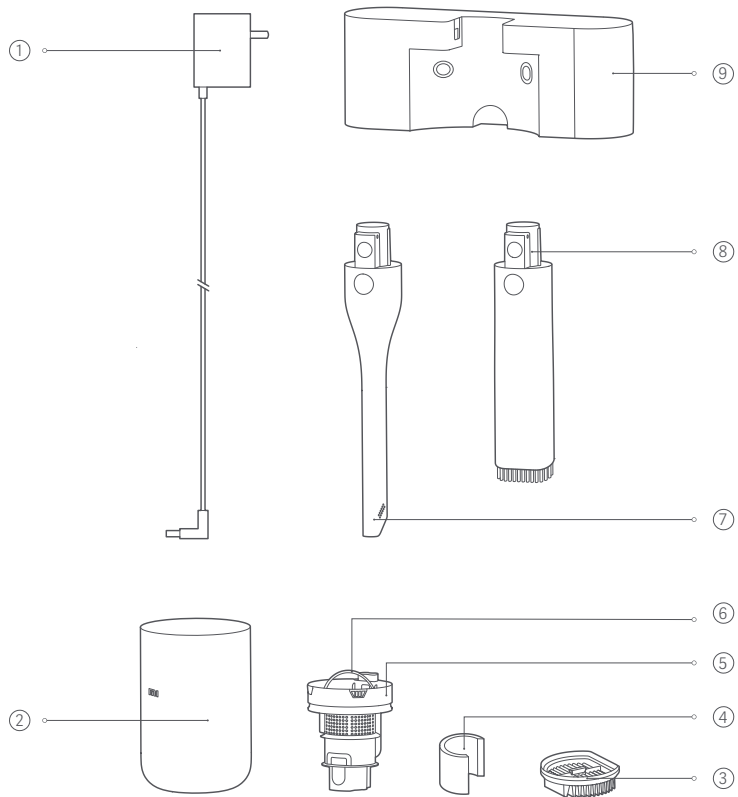
Contenido del paquete

Nombre:	Cantidad
Aspiradora	1
Varilla de extensión	1
Cepillo de suelo eléctrico	1
Boquilla plana	1
Boquilla larga	1
Manual de usuario	1
Soporte para pared	1
Adaptador de corriente	1
Enchufe de pared	2
Tornillo	2

Descripción del producto



- ① Botón de encendido/apagado
- ② Botón de nivel de succión
- ③ Indicador MAX
- ④ Indicador del nivel de la batería
- ⑤ Compartimento de polvo
- ⑥ Botón de liberación de la barra de extensión
- ⑦ Varilla de extensión
- ⑧ Botón de liberación de cepillos de piso eléctricos
- ⑨ Ventana de cepillo de suelo
- ⑩ Ruedas
- ⑪ Cepillo de rodillos
- ⑫ Cepillo suave de limpieza
- ⑬ Botón del cepillo de rodillo
- ⑭ Ventana del compartimento de polvo
- ⑮ Puerto de carga del aspirador
- ⑯ Tira antideslizante

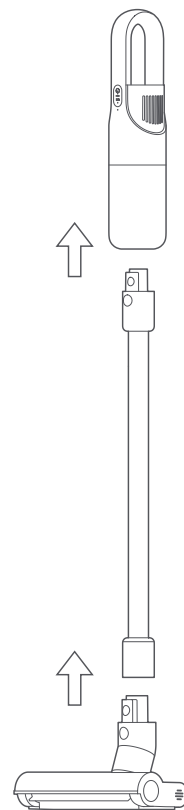


- | | | |
|--------------------------|---------------------------|---------------------------------|
| ① Adaptador de corriente | ② Compartimento del polvo | ③ Filtro HEPA |
| ④ Filtro de algodón | ⑤ Separador ciclónico | ⑥ Mango del separador ciclónico |
| ⑦ Boquilla larga | ⑧ Boquilla plana | ⑨ Soporte para pared |

Cómo instalar

Montaje de la aspiradora

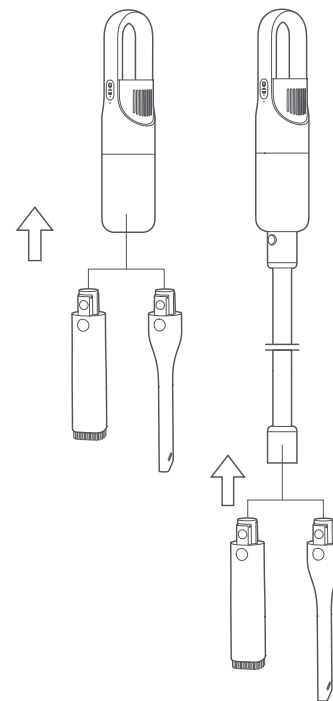
1. Conecte la varilla de extensión a la aspiradora, como se ilustra, hasta que oiga un clic.
2. Conecte el cepillo eléctrico para suelos a la barra de extensión, como se ilustra, hasta que escuche un clic.



Instalación de los accesorios

1. La boquilla larga y la boquilla plana se pueden conectar directamente a la aspiradora o a la barra de extensión.
2. Inserte la boquilla larga o la boquilla plana en el aspirador o la barra de extensión verticalmente, como se ilustra, hasta que escuche un clic.

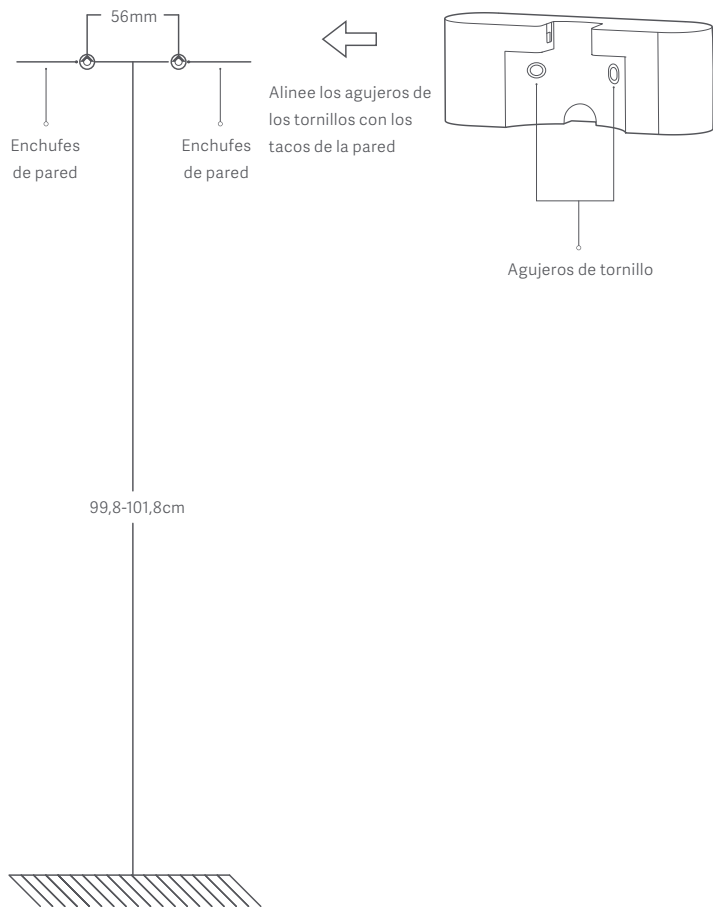
Nota: La boquilla larga es adecuada para limpiar el polvo de espacios estrechos como puertas, ventanas, escaleras y esquinas. La boquilla plana es perfecta para limpiar el polvo de los asientos de los sofás, los armarios y las superficies de los escritorios o las consolas.



Fijación del soporte de pared

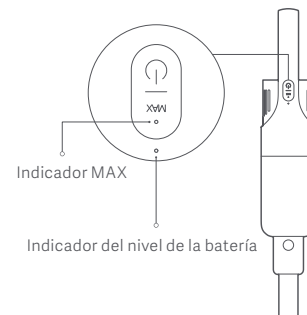
1. Taladre dos agujeros con cada diámetro de 6 mm en la pared a una altura de 99,8-101,8 cm sobre el suelo, y asegúrese de que hay una distancia de 56 mm entre los dos agujeros, y luego inserte dos tapones de pared en los agujeros.
2. Alinee los orificios de los tornillos del soporte de pared con los tacos de la pared, y luego utilice dos tornillos (4 × 20 mm) para fijar firmemente el soporte de pared a la pared.

Nota: Se recomienda fijar el soporte de pared cerca de una toma de corriente eléctrica para que pueda conectarse fácilmente a la corriente.



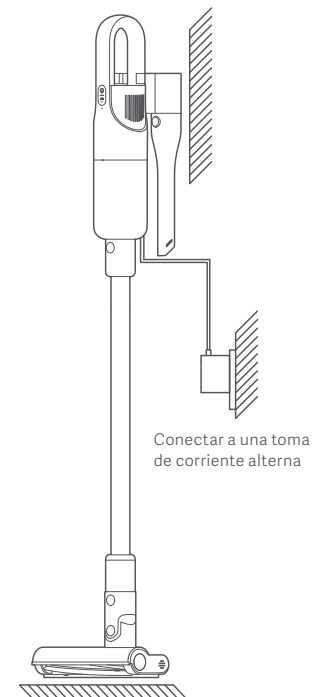
Modo de uso

- Encendido/apagado: Mantén pulsado el botón de encendido/apagado (⏻) durante 1 segundo, luego la aspiradora empieza a funcionar y se ejecuta en el modo estándar por defecto. Vuelve a pulsar el botón de encendido/apagado para detener la aspiradora.
- Cambio de modo: Cuando la aspiradora esté en funcionamiento, pulse el botón de nivel de aspiración para cambiar al modo turbo (nivel MAX); mientras tanto, el indicador MAX estará en blanco. Pulse el botón de nivel de aspiración de nuevo para cambiar al modo estándar.
- Indicador de nivel de la batería: Cuando el nivel de la batería es suficiente, el indicador de nivel de la batería es blanco. Cuando la aspiradora funciona con un nivel de batería bajo, el indicador está rojo; si es así, la aspiradora no puede pasar al modo turbo. Cuando la batería se agota, la aspiradora se apaga automáticamente.




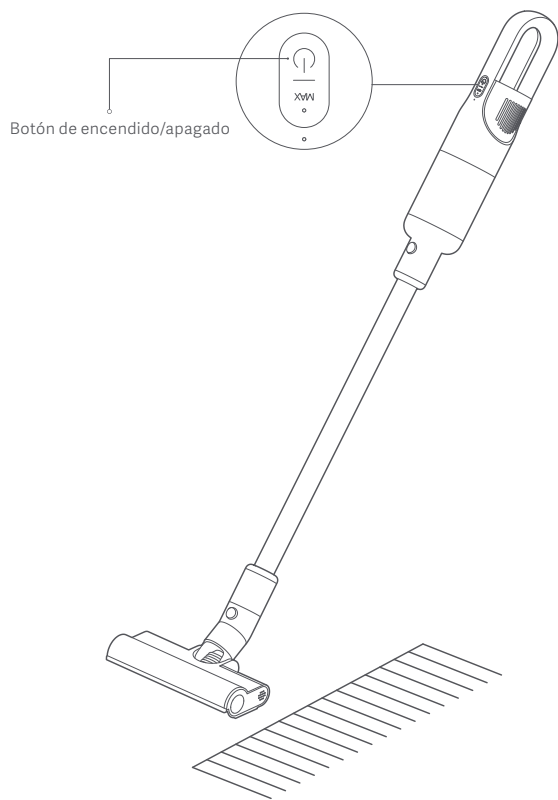
Método de carga

1. Antes de cargarla, asegúrese de que el adaptador de corriente esté bien conectado a la toma de corriente y a la aspiradora.
2. Durante la carga, el indicador del nivel de la batería varía. Una vez que la batería está completamente cargada, el indicador del nivel de la batería se apaga.
3. Si cargas la aspiradora con la batería llena, el indicador del nivel de la batería respirará 20 segundos y luego se apagará.



Encender/apagar y aspirado

- Mantén pulsado el botón de encendido/apagado  durante 1 segundo, luego la aspiradora empieza a funcionar y se ejecuta en el modo estándar por defecto. Puedes cambiar el modo según sea necesario.
- Sujeta el mango de la aspiradora empujándolo hacia delante y hacia atrás para aspirar y limpiar el suelo con el cepillo para suelos. También puedes utilizar la boquilla larga o la boquilla plana según tus necesidades.
- Vuelve a pulsar el botón de encendido/apagado para detener la aspiradora.



Cuando el aspirador está en funcionamiento

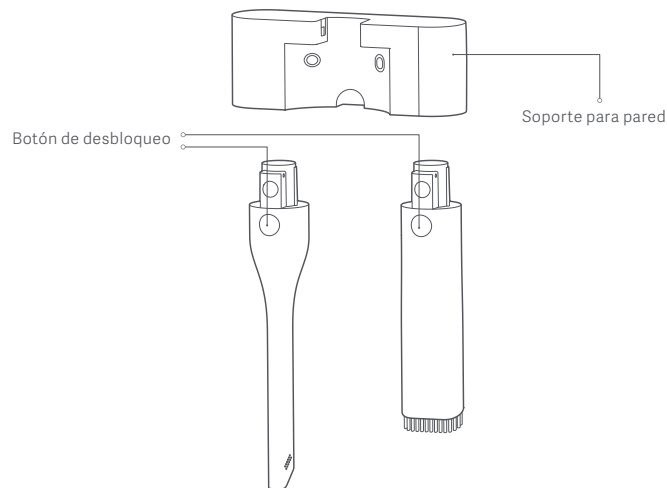
- Cuando el nivel de la batería esté bajo, el indicador del nivel de la batería parpadeará en rojo, por favor recargue la aspiradora pronto. Si la aspiradora funciona en el modo estándar, no se puede cambiar al modo turbo.
- Si no se recarga a tiempo, la tensión de la batería será demasiado baja, entonces la aspiradora se apagará automáticamente para proteger la batería.
- Si la aspiradora se apaga por quedarse sin batería, por favor recárguela a tiempo. De lo contrario, la batería puede dañarse debido a su sobrecarga si no se utiliza durante un período de tiempo prolongado.

Notas

- Hay una pequeña cantidad de batería en la aspiradora cuando se compra. Se recomienda conectar el adaptador de corriente para cargar completamente la aspiradora antes de su primer uso.
- Cuando se carga, la aspiradora no se puede utilizar.

Almacenamiento de accesorios

Los accesorios pueden guardarse en el soporte de pared cuando no se utilizan. Inserte verticalmente la boquilla larga o la boquilla plana en el soporte de pared hasta que escuche un clic, con el botón de liberación en la dirección que se muestra en la figura. Para retirar los accesorios del soporte de pared, pulse el botón de liberación y, simultáneamente, tire de ellos hacia abajo en sentido vertical.



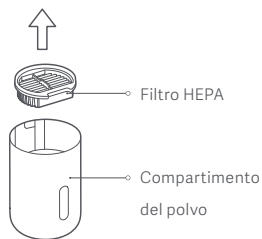
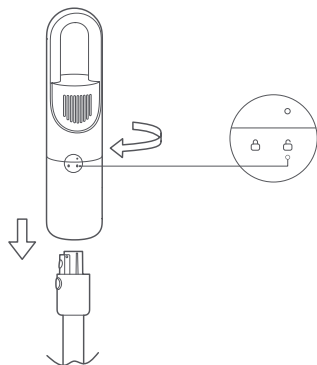
Cuidado y mantenimiento

Nota: Antes de limpiar o hacer el mantenimiento de la aspiradora, apáguela y desenchúfela.

- Limpie el compartimento de polvo con regularidad para evitar la acumulación de polvo que podría causar una obstrucción y afectar la succión.
- Para evitar que el polvo caiga al suelo, sostenga el compartimento de polvo sobre un cubo de basura para eliminarlo.

Cómo quitar e instalar el compartimento de polvo

1. Después de aspirar o cuando el compartimento de polvo esté lleno, saque la varilla de extensión y gire el compartimento de polvo en la dirección que se muestra en la figura. Cuando "o" esté alineado con el símbolo de desbloqueo "Δ", el compartimento de polvo puede ser retirado de la aspiradora.

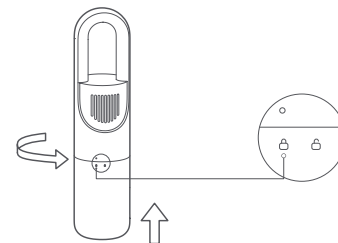


2. Saque el filtro HEPA del compartimento para el polvo, como se muestra en la figura, y luego elimine el polvo de su superficie.



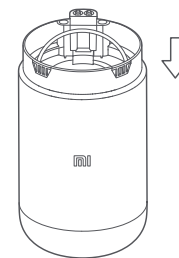
3. Voltee el mango del separador ciclónico sobre el cubo de basura para retirar el separador ciclónico del compartimento del polvo, como se muestra en la figura. Vacíe el contenedor en el compartimento del polvo y limpie cualquier resto de polvo de la superficie del separador ciclónico.

4. Vuelva a colocar el separador ciclónico y el filtro HEPA en el compartimento de polvo cuando termine la limpieza. Alinee el símbolo de desbloqueo "Δ" con "o" y luego gire el compartimento de polvo en la dirección que se muestra en la figura hasta que "Δ" se alinee con el símbolo de bloqueo "o". Una vez que escuche un clic, el compartimento de conductos quedará instalado de forma segura en la aspiradora.



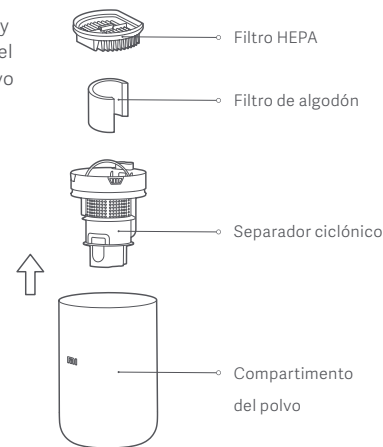
Instalación del separador ciclónico

Presione el separador ciclónico directamente hacia abajo hasta que llegue al final del compartimento del polvo.



Limpieza del compartimento del polvo y del conjunto del filtro

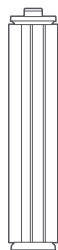
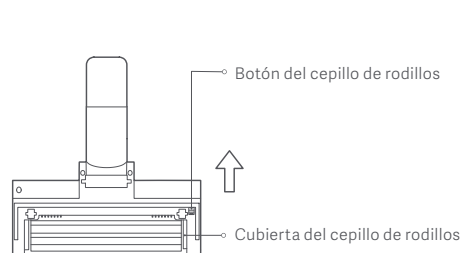
Saque el filtro HEPA, el filtro de algodón y el separador ciclónico sucesivamente del compartimento del polvo. Quiten el polvo de su superficie y luego enjuáguelo con agua limpia. Asegúrese de que estén completamente secos en un lugar bien ventilado y lejos de la luz solar directa antes de usarlos. Si es necesario, puede reemplazar el filtro con el modelo especificado del filtro HEPA.



Limpieza del cepillo de rodillos

1. Presione el botón del cepillo de rodillos como se muestra en la figura para abrir la tapa del cepillo rodante y luego tire del cepillo de rodillos para limpiarlo. Después de limpiarlo, vuelva a colocar el cepillo de rodillos y cierre la cubierta hasta que escuche un clic.

2. Corte el pelo y las fibras que están adheridas al cepillo de rodillo y retírelas.



- Cuando limpie la aspiradora, use un paño seco. No utilice disolventes químicos como gasolina, alcohol o diluyente de laca, ya que éstos harán que la cáscara se agriete o se desvanezca.
- Asegúrese de apagar la aspiradora antes de limpiar o realizar el mantenimiento.
- Cuando el compartimento de polvo esté lleno, vacíelo inmediatamente. De lo contrario, puede quedar bloqueado por la suciedad, lo que afectará al rendimiento de la aspiración y provocará el sobrecalentamiento del motor.
- Se recomienda cambiar el filtro HEPA cada 2-3 meses. Es posible que tenga que cambiarlo más a menudo si se utiliza con frecuencia.

Resolución de posibles problemas

Problema	Posible causa	Solución
La aspiradora no funciona	<ol style="list-style-type: none"> 1. El nivel de la batería es bajo. 2. La aspiradora está funcionando durante mucho tiempo, por lo que está sobrecalentada. 3. La aspiradora no está encendida. 4. Cuando el conducto de aire se haya obstruido durante ocho segundos, el motor dejará de funcionar para protegerse del sobrecalentamiento. 5. El motor o la batería están dañados. 	<ol style="list-style-type: none"> 1. Carga la aspiradora. 2. Enfríe la aspiradora y vuelva a usarla. 3. Encienda la aspiradora. 4. Limpie los objetos extraños del conducto de aire, el cepillo eléctrico de suelo, la varilla de extensión o el compartimento de polvo. 5. Por favor, póngase en contacto con el departamento de servicio postventa para obtener ayuda.
El nivel de succión disminuye	<ol style="list-style-type: none"> 1. El compartimento de polvo está lleno. 2. El cepillo eléctrico de suelo está bloqueado por objetos extraños. 3. El filtro HEPA está bloqueado o no está completamente seco después de la limpieza. 	<ol style="list-style-type: none"> 1. Vacíe el contenido del compartimento de polvo. 2. Retire los objetos extraños del cepillo eléctrico de suelo. 3. Limpie el filtro HEPA o séquelo bien.
El ruido es extremadamente fuerte	<ol style="list-style-type: none"> 1. El compartimento de polvo está lleno. 2. El conducto de aire está obstruido. 	<ol style="list-style-type: none"> 1. Vacíe el contenido del compartimento de polvo. 2. Limpie los objetos extraños del conducto de aire, el cepillo eléctrico de suelo, la varilla de extensión o el compartimento de polvo.
El cepillo eléctrico del suelo deja de funcionar	<ol style="list-style-type: none"> 1. El cepillo eléctrico de suelo está obstruido para que deje de funcionar por protección. 2. El cepillo eléctrico de suelo no funciona después de conectarlo a la corriente. 	<ol style="list-style-type: none"> 1. Elimine los objetos enredados alrededor del cepillo eléctrico de suelo. 2. Por favor, póngase en contacto con el departamento de servicio postventa para obtener ayuda.
La aspiradora no se puede cargar	<ol style="list-style-type: none"> 1. No está bien conectado entre el adaptador de corriente y la toma de corriente. 2. No está bien conectado entre el adaptador de corriente y el puerto de carga de la aspiradora. 3. El adaptador de corriente está dañado. 	<ol style="list-style-type: none"> 1. Enchufe firmemente el adaptador de corriente en la toma de corriente eléctrica. 2. Conecte firmemente el adaptador de corriente con el puerto de carga. 3. Por favor, póngase en contacto con el departamento de servicio postventa para obtener ayuda.
El indicador del nivel de la batería parpadea en rojo y blanco alternativamente	El adaptador de corriente no es compatible con la aspiradora.	Utilice únicamente el adaptador de corriente incluido para cargar la aspiradora.

Nota: Cualquier problema que haya ocurrido durante el uso, por favor, consulte la solución en la sección de solución de problemas anterior. Si el problema persiste, por favor deje de usar la aspiradora inmediatamente y contacte con el servicio postventa para obtener ayuda.

Especificaciones

Mi Vacuum Cleaner Light			
Modèle	MJWXCQ03DY	Corriente de entrada	0,5 A
Capacidad del compartimento de polvo	0,5 L aprox.	Peso neto	2,3 kg aprox.
Dimensiones del artículo	240 × 148 × 1132 mm	Tensión de entrada	26,0 V ~
Capacidad nominal de la batería	2500 mAh	Emisión acústica	≤ 79 dB
Potencia de funcionamiento	220 W	Tiempo de carga	Aproximadamente 5 horas
Vida útil de la batería (excluyendo el cepillo eléctrico del suelo)	45 minutos en modo estándar		
	13 minutos en modo turbo		

del cepillo de suelo eléctrico			
Modèle	MJWXCQ03DY-DS		
Puissance de fonctionnement	15 W	Tension de fonctionnement	21,6 V ~

Adaptateur secteur			
Modèle	BLJ15W260050P-VA	Efficacité moyenne active	84,6 %
Entrée	100-240 V ~ 50/60 Hz 0,5 A	Efficacité à faible charge (10 %)	71,43 %
Sortie	26,0 V ~ 0,5 A 13,0 W	Consommation à faible puissance	0,10 W
Fabricant	Zhongshan Baolijin Electronic Co., Ltd.		



Todos los productos que llevan este símbolo son residuos de aparatos eléctricos y electrónicos (RAEE según la directiva 2012/19/UE) que no deben mezclarse con residuos domésticos sin clasificar. En su lugar, debe proteger la salud humana y el medio ambiente entregando sus equipos de desecho a un punto de recogida para el reciclaje de residuos de equipos eléctricos y electrónicos, designado por el gobierno o las autoridades locales. La eliminación y el reciclado correctos ayudarán a evitar posibles consecuencias negativas para el medio ambiente y la salud humana. Póngase en contacto con el instalador o con las autoridades locales para obtener más información sobre la ubicación y las condiciones de dichos puntos de recogida.

Precauciones de uso de la batería

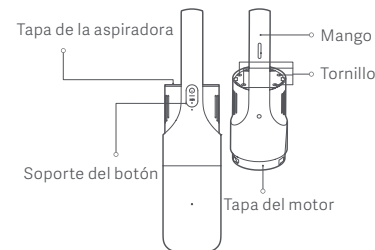
- La aspiradora está en modo de espera y no puede utilizarse durante la carga.
- El pack de batería de ion de litio contiene sustancias que son perjudiciales para el medio ambiente. Antes de desechar la aspiradora, retire el pack de batería y deséchelo o recíclelo siguiendo las leyes y reglamentos locales del país o región en el que se use.

Nota: La aspiradora debe apagarse antes de retirar la batería.

La batería debe ser eliminada de manera segura.

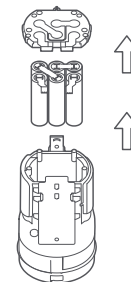
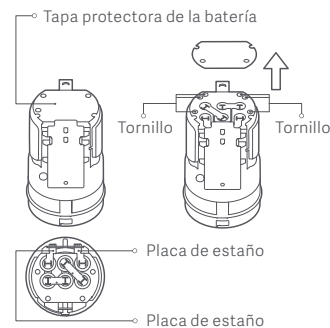
Cómo retirar la batería

1. Use un destornillador recto para quitar el botón de encendido/apagado y el soporte del botón, luego use una herramienta para abrir la tapa de la aspiradora. A continuación, utilice un destornillador para desatornillar los cuatro tornillos. Luego puede tirar del asa y de la cubierta del motor para separar el conjunto de las baterías.



2. Retire la tapa protectora de la batería, luego suelte los cuatro tornillos de la tapa con un destornillador. Use una tijera para cortar la placa de estaño que conecta la batería con la placa de circuito impreso.

3. Después de quitar el soporte superior, se puede sacar el conjunto de las baterías del soporte inferior. Luego puede deshacerse de la batería de acuerdo con las leyes y regulaciones locales.



Инструкция по технике безопасности

Это изделие предназначено исключительно для бытового использования. Перед использованием внимательно прочтите это руководство. Сохраните его — оно может понадобиться вам в дальнейшем.

- Дети в возрасте от 8 лет и лица с ограниченными физическими, сенсорными или умственными способностями или недостаточным опытом и знаниями могут использовать этот прибор под наблюдением или после получения инструкций по технике безопасности и осознания возможных рисков. Дети не должны играть с прибором. Не разрешайте детям чистить устройство и выполнять другие действия по уходу за ним без присмотра взрослых.
- Устройство должно использоваться только с блоком питания, поставляемым с устройством.
- Аккумуляторная батарея в данном устройстве незаменима.
- Если зарядное устройство повреждено, замените их оригинальными компонентами, приобретенными у производителя или в отделе послепродажного обслуживания.
- Пылесос не предназначен для игр. Детям нельзя играть с этим изделием и использовать его. Соблюдайте осторожность, используя пылесос рядом с детьми. Не разрешайте детям чистить пылесос и выполнять другие действия по уходу за ним без присмотра родителя или опекуна.
- Используйте пылесос только для очистки сухих поверхностей в помещениях. Не устанавливайте, не заряжайте и не используйте это устройство на улице, в ванных комнатах и на территории вокруг бассейна.
- Не прикасайтесь к вилке или какой-либо другой части пылесоса влажными руками.
- Чтобы снизить риск пожара, взрыва или телесных повреждений, перед использованием устройства убедитесь, что литий-ионный аккумулятор и зарядное устройство не повреждены. Не используйте пылесос, если аккумулятор или зарядное устройство повреждены.
- Турбо-щетка с валиком, маленькая электрическая щетка, аккумулятор, шланг и пылесос проводят электрический ток, поэтому их не следует погружать в воду и другие жидкости. Тщательно высушивайте все детали после очистки.
- Во избежание травм, вызванных подвижными деталями, отключайте пылесос перед очисткой турбо-щеткой с валиком и маленькой электрической щетки. Перед использованием пылесоса убедитесь, что турбо-щетка с валиком, контейнер для пыли и фильтр установлены надлежащим образом.
- Не используйте пылесос для сбора легковоспламеняющихся и горючих жидкостей, таких как бензин, отбеливатели, аммиак и очистители труб, а также других жидкостей, например воды.
- Не используйте пылесос для сбора частиц гипсокартона, пепла (например, от

камина) и дымящихся или горящих материалов (например, угля, окурков или спичек).

- Не используйте пылесос для сбора острых и твердых предметов, таких как стекло, гвозди, винты или монеты, которые могут повредить изделие.
- Не допускайте попадания волос, свободной одежды, пальцев и других частей тела в отверстия и движущиеся части пылесоса. Не приближайте отверстие для всасывания, шланг и другие аксессуары к глазам и ушам, а также не кладите их в рот.
- Не кладите никакие предметы в отверстие пылесоса и не используйте его, если какое-либо отверстие закрыто. Убирайте пыль, пух, волосы и другой мусор, который может блокировать поток воздуха.
- Не прислоняйте пылесос к стульям, столам и другим неустойчивым поверхностям, так как это может привести к повреждению изделия или травмам. В случае неисправности пылесоса, вызванной опрокидыванием или повреждением, обратитесь в уполномоченный сервисный центр. Не пытайтесь самостоятельно разобрать пылесос.
- Используйте только оригинальное зарядное устройство для зарядки изделия при температуре окружающей среды от 0 °C до 35 °C. Иначе аккумулятор может быть поврежден.
- Перед использованием пылесоса убедитесь, что крышка контейнера для пыли, фильтр предварительной очистки, циклонный блок и HEPA-фильтр установлены правильно.
- Отключайте пылесос, если он не используется в течение длительного периода времени, а также перед выполнением какого-либо обслуживания или ремонта. Будьте особенно осторожны при использовании пылесоса на лестнице.
- **ПРЕДУПРЕЖДЕНИЕ.** Не добавляйте в фильтр пылесоса какие-либо ароматизаторы. Они часто содержат легковоспламеняющиеся химические вещества, из-за которых может случиться возгорание пылесоса.
- НЕ подвергайте устройство воздействию огня, так как это может привести к взрыву.
- НЕ допускайте попадания пресной или соленой воды либо других жидкостей на устройство, а также их погружения в такие жидкости.
- Используйте пылесос строго в соответствии с инструкциями данного руководства. Пользователи несут ответственность за любые убытки или ущерб, возникшие в результате неправильного использования пылесоса.



Мы, компания Guangdong Deerma Technology Co., Ltd. настоящим заявляем, что данное оборудование соответствует требованиям всех действующих директив ЕС и европейских стандартов с изменениями и дополнениями. Полный текст декларации о соответствии нормативным требованиям ЕС доступен по следующему адресу:
<http://www.mi.com/global/service/support/declaration.html>

Описание изделия

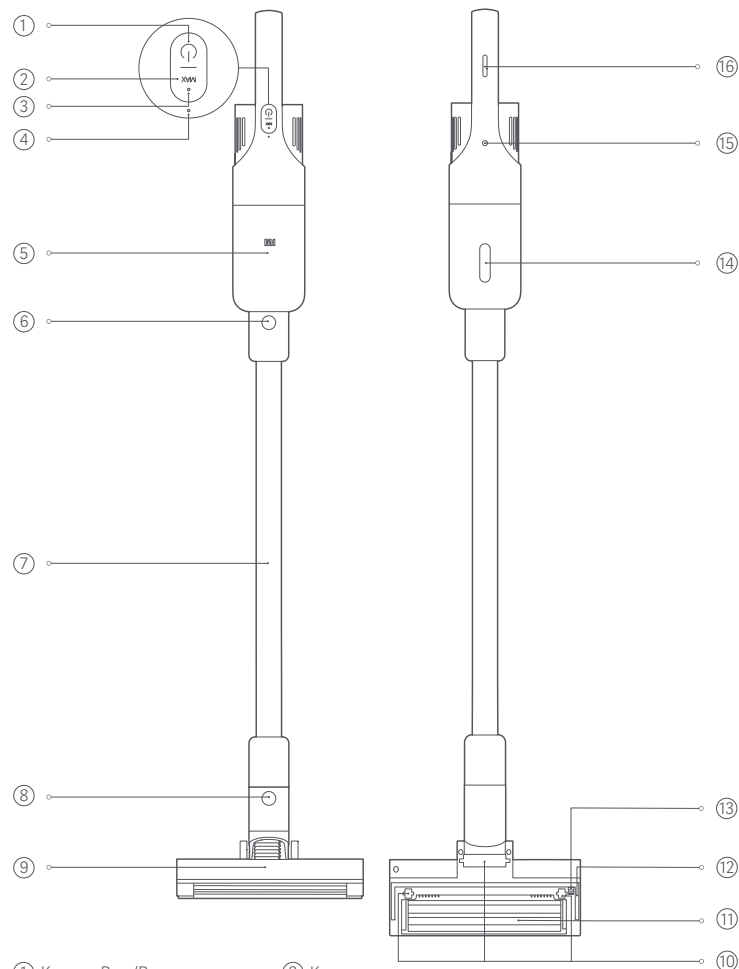
Оснащенный высокоскоростным бесщеточным двигателем, Легкий пылесос Mi может похвастаться такими функциями, как мощное всасывание и высокоэффективная система фильтрации.

- **Высокоскоростной бесщеточный двигатель:** Быстрая работа со стабильной производительностью сильного всасывания для быстрой уборки.
- **Мощное всасывание:** Быстрое и высокоэффективное всасывание мелких и крупных частиц для глубокой очистки всего дома.
- **Высокоэффективная фильтрация:** Система циклонной сепарации, состоящая из мелкой стальной сетки, хлопкового фильтра и фильтра HEPA, отделяет крупную пыль от мелкой пыли, а затем улавливает пыль, чтобы она не выходила обратно, чтобы предотвратить вторичное загрязнение.
- **Легкий и универсальный:** Компактный и легкий пылесос работает с такими аксессуарами, как удлинительный стержень из легкого металла, электрическая щетка для пола, плоская насадка и длинная насадка, чтобы легко и эффективно очистить весь дом.

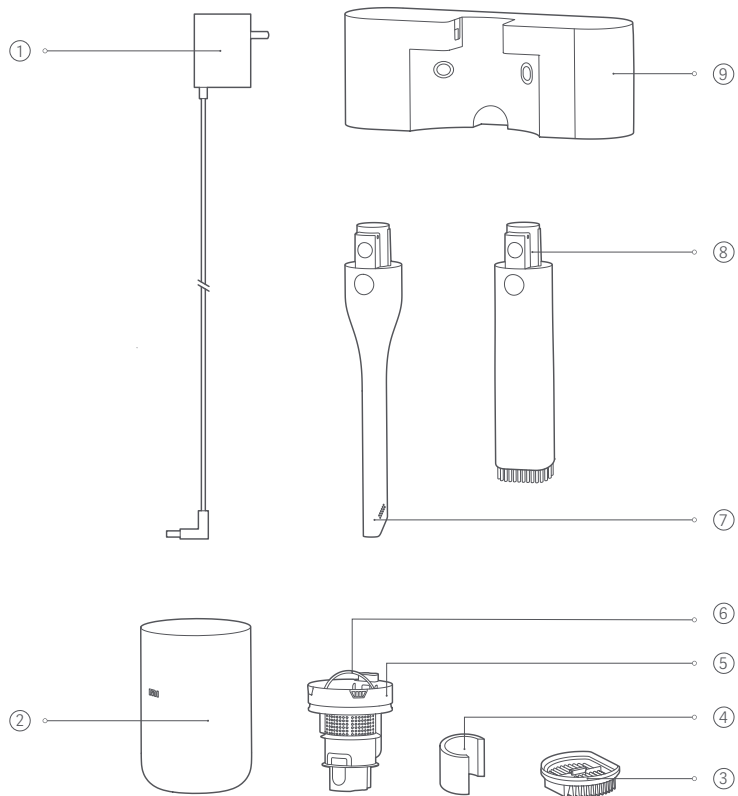
Комплект поставки

Название	Количество
Пылесос	1
Удлинительный стержень	1
Электрическая щетка для пола	1
Плоская насадка	1
Длинная насадка	1
Руководство пользователя	1
Настенное крепление	1
Адаптер питания	1
Дюбель	2
Винт	2

Описание изделия



- | | | |
|-------------------------------|---|-----------------------|
| ① Кнопка Вкл./Выкл. | ② Кнопка уровня всасывания | |
| ③ Индикатор MAX | ④ Индикатор уровня заряда аккумулятора | |
| ⑤ Отсек для пыли | ⑥ Кнопка освобождения удлинительного стержня | |
| ⑦ Удлинительный стержень | ⑧ Кнопка разблокировки электрической щетки для пола | |
| ⑨ Окно щетки для пола | ⑩ Колеса | ⑪ Роликовая щетка |
| ⑫ Чистящая мягкая щетка | ⑬ Кнопка роликовой щетки | ⑭ Окно отсек для пыли |
| ⑮ Разъем для зарядки пылесоса | ⑯ Противоскользящая прокладка | |

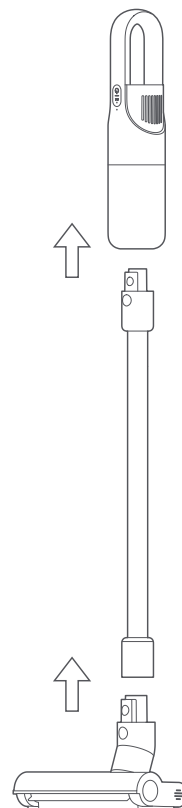


- | | | |
|--------------------|-----------------------|-------------------------------|
| ① Адаптер питания | ② Отсек для пыли | ③ HEPA-фильтр |
| ④ Хлопковый фильтр | ⑤ Циклонный сепаратор | ⑥ Ручка циклонного сепаратора |
| ⑦ Длинная насадка | ⑧ Плоская насадка | ⑨ Настенное крепление |

Инструкции по установке

Сборка пылесоса

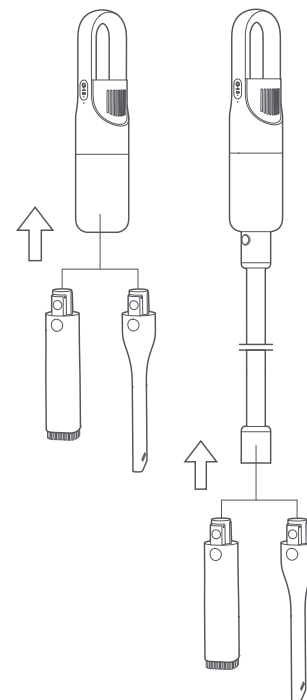
1. Подсоедините удлинительный стержень к пылесосу, как показано на рисунке, до щелчка.
2. Подсоедините электрическую щетку для пола к удлинительному стержню, как показано на рисунке, до щелчка.



Установка аксессуаров

1. Длинную насадку и плоскую насадку можно подсоединить непосредственно к пылесосу или удлинительному стержню.
2. Вставьте длинную или плоскую насадку в пылесос или удлинительный стержень вертикально, как показано на рисунке, до щелчка.

Примечание. Длинная насадка подходит для очистки от пыли узких щелей, таких как двери, окна, лестницы и углы. Плоская насадка идеально подходит для очистки от пыли сидений диванов, шкафов, а также поверхностей стола или консоли.

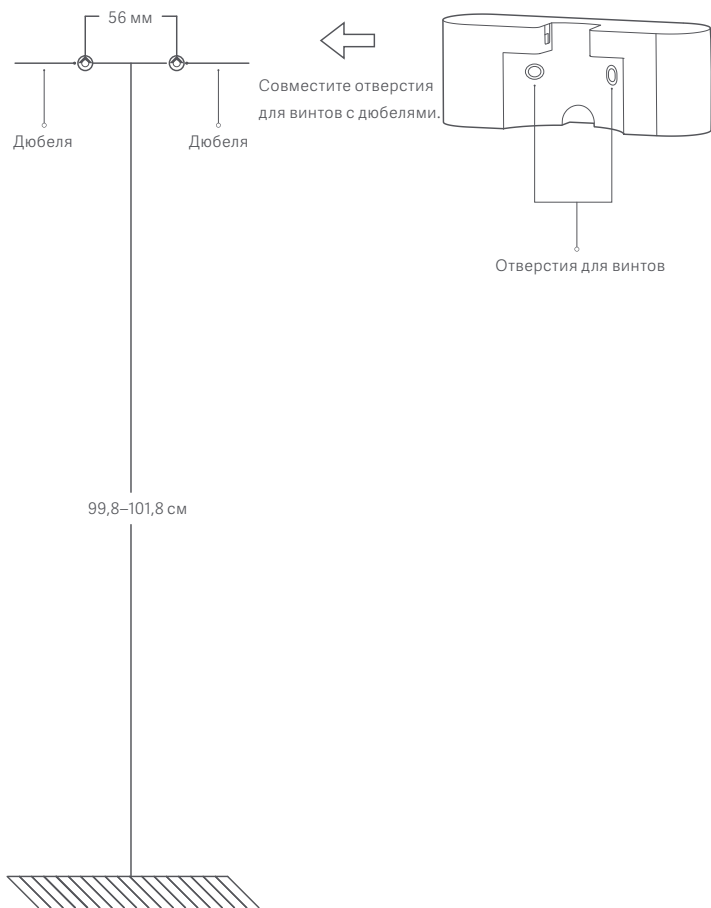


Установка настенного крепления

1. Просверлите два отверстия диаметром 6 мм каждое в стене на высоте 99,8–101,8 см над землей и убедитесь, что расстояние между двумя отверстиями составляет 56 мм, затем вставьте в отверстия два дюбеля.

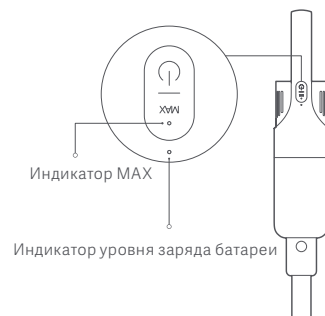
2. Совместите отверстия для винтов в настенном креплении с дюбелями, затем используйте два винта (4 × 20 мм), чтобы надежно прикрепить настенное крепление к стене.

Примечание. Рекомендуется установить настенное крепление возле электрической розетки, чтобы его можно было легко подключить к источнику питания.



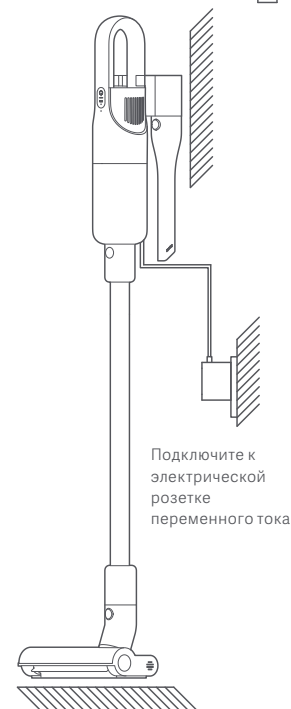
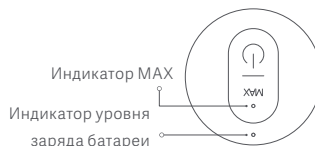
Инструкция

- Включение/выключение настройки: Нажмите и удерживайте кнопку включения/выключения (⏻) в течение 1 секунды, затем пылесос начинает работать и по умолчанию будет работать в стандартном режиме. Снова нажмите кнопку включения/выключения, чтобы остановить пылесос.
- Переключение режимов: Когда пылесос работает, нажмите кнопку уровня всасывания, чтобы переключиться в турбо-режим (уровень MAX); при этом индикатор MAX будет белым. Снова нажмите кнопку уровня всасывания, чтобы перейти в стандартный режим.
- Индикатор уровня заряда батареи: Когда уровень заряда батареи достаточен, индикатор уровня заряда батареи горит белым. Когда пылесос работает с низким уровнем заряда батареи, индикатор горит красным цветом; в таком режиме пылесос не может быть переключен в режим turbo. Когда батарея разрядится, пылесос автоматически выключается.

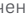


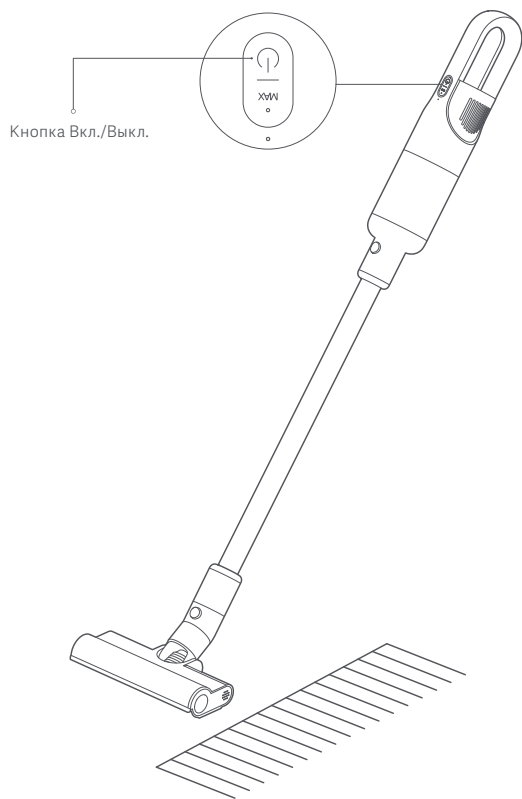
Способ зарядки

1. Перед зарядкой убедитесь, что адаптер питания надежно подключен к электрической розетке и пылесосу.
2. При зарядке индикатор уровня заряда батареи моргает. Как только аккумулятор полностью зарядится, индикатор уровня заряда батареи погаснет.
3. Если вы заряжаете пылесос, пока его батарея полностью заряжена, индикатор уровня заряда батареи будет дышать 20 секунд, а затем погаснет.



Включение/выключение и уборка пылесосом

- Нажмите и удерживайте кнопку включения/выключения  в течение 1 секунды, затем пылесос начинает работать и по умолчанию будет работать в стандартном режиме. Вы можете переключать режим работы по мере необходимости.
- Возьмитесь за ручку пылесоса, толкая ее вперед и назад, чтобы пропылесосить и очистить пол щеткой для пола. Вы также можете использовать длинную или плоскую насадку в соответствии с вашими потребностями.
- Снова нажмите кнопку включения/выключения, чтобы остановить пылесос.



Когда пылесос работает

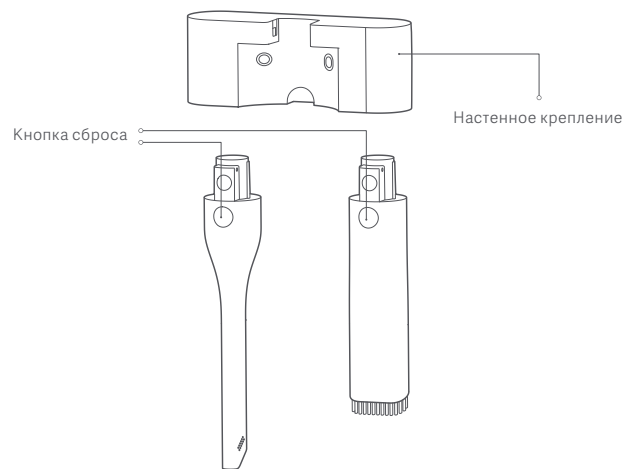
- При низком уровне заряда батареи индикатор уровня заряда будет мигать красным, пожалуйста, зарядите пылесос в ближайшее время. Если пылесос работает в стандартном режиме, его нельзя переключить в турбо-режим.
- Если вовремя не подзарядить, напряжение батареи станет слишком низким, и пылесос автоматически выключится, чтобы защитить батарею.
- Если пылесос выключился из-за разрядки батареи, своевременно перезарядите ее. В противном случае батарея может выйти из строя из-за ее чрезмерной разрядки, если она не используется в течение длительного периода времени.

Примечания

- Когда вы получаете пылесос, заряд батареи у него небольшой. Перед первым использованием рекомендуется подключить адаптер питания, чтобы полностью зарядить пылесос.
- Во время зарядки пользоваться пылесосом нельзя.

Хранение аксессуаров

Когда аксессуары не используются, их можно хранить на настенном креплении. Вставьте длинную насадку или плоскую насадку в настенное крепление вертикально до щелчка, придерживая кнопку фиксатора в направлении, показанном на рисунке. Чтобы снять аксессуары с настенного крепления, нажмите спусковую кнопку и одновременно потяните их вниз вертикально.



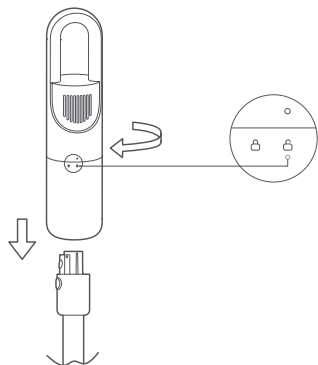
Уход и техническое обслуживание

Примечание. Перед чисткой или обслуживанием пылесоса выключите его и отсоедините от сети.

- Регулярно очищайте отсек для пыли, чтобы избежать скопления пыли, которая может вызвать закупорку и повлиять на всасывание.
- Чтобы пыль не падала на пол, удерживайте отсек для пыли над мусорным баком, чтобы удалить его.

Снятие и установка отсека для пыли

1. После уборки пылесосом или когда отсек для пыли будет заполнен, вытяните удлинительный стержень и поверните отсек для пыли в направлении, показанном на рисунке. Когда «о» совпадает с символом разблокировки «Б», отсек для пыли можно извлечь из пылесоса.

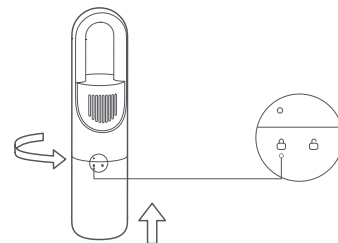


2. Извлеките HEPA-фильтр из отсека для пыли, как показано на рисунке, затем удалите пыль с его поверхности.



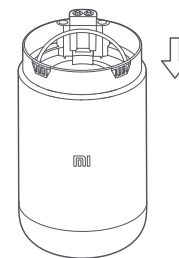
3. Переверните ручку циклонного сепаратора над мусорным баком, чтобы извлечь циклонный сепаратор из контейнера для пыли, как показано на рисунке. Опорожните содержимое контейнера для пыли и очистите поверхность циклонного сепаратора от пыли.

4. По завершении очистки поместите циклонный сепаратор и фильтр HEPA обратно в отсек для пыли. Совместите символ разблокировки «Б» с «о», затем поверните отсек для пыли в направлении, показанном на рисунке, пока «о» не совместится с символом блокировки «Б». Как только вы услышите щелчок, отсек для пыли надежно установлен на пылесос.



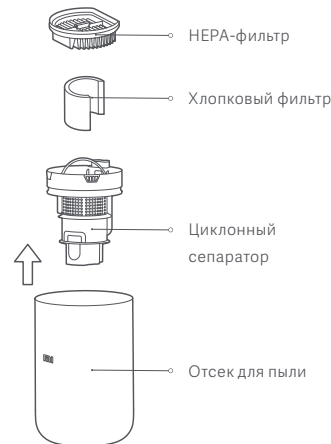
Установка циклонного сепаратора

Нажмите на циклонный сепаратор прямо вниз, пока он не достигнет конца контейнера для пыли.



Очистка контейнера для пыли и фильтра в сборе

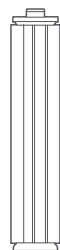
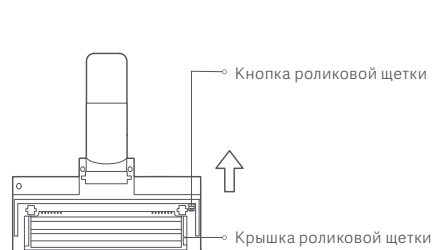
Последовательно извлеките из контейнера для пыли HEPA-фильтр, хлопковый фильтр и циклонный сепаратор. Удалите пыль с их поверхности, затем промойте их чистой водой. Перед использованием убедитесь, что они тщательно высушены в хорошо проветриваемом месте вдали от прямых солнечных лучей. При необходимости вы можете заменить фильтр на указанную модель HEPA-фильтра.



Очистка роликовой щетки

1. Нажмите кнопку роликовой щетки, как показано на рисунке, чтобы открыть крышку роликовой щетки, затем потяните роликовую щетку, чтобы очистить ее. После очистки верните роликовую щетку и закройте крышку до щелчка.

2. Отрежьте волосы и волокна, прикрепленные к роликовой щетке, и удалите их.



- Для чистки пылесоса используйте сухую ткань. Не используйте химические растворители, такие как бензин, спирт или разбавитель для лака, так как они могут вызвать растрескивание или выцветание корпуса.
- Убедитесь, что вы выключили пылесос перед чисткой или проведением технического обслуживания.
- Когда отсек для пыли заполнится, немедленно опорожните его. В противном случае он может быть заблокирован грязью, что снизит производительность всасывания и приведет к перегреву двигателя.
- Рекомендуется заменять HEPA-фильтр каждые 2–3 месяца. Возможно, вам придется менять его чаще, если он часто используется.

Устранение неполадок

Проблема	Возможная причина	Решение
Пылесос не работает.	<ol style="list-style-type: none"> 1. Низкий уровень заряда батареи. 2. Пылесос работает долго, так что перегревается. 3. Пылесос не подключен. 4. ЧКогда воздуховод будет засорен в течение восьми секунд, двигатель перестанет работать, чтобы защитить его от перегрева. 5. Двигатель или аккумулятор повреждены. 	<ol style="list-style-type: none"> 1. Зарядите пылесос. 2. Охладите пылесос и снова воспользуйтесь им. 3. Включите пылесос. 4. Удалите посторонние предметы из воздуховода, электрической щетки для пола, удлинительного стержня или отсека для пыли. 5. Обратитесь за помощью в отдел послепродажного обслуживания.
Уровень всасывания снижается.	<ol style="list-style-type: none"> 1. Отсек для пыли заполнен. 2. Электрическая щетка для пола заблокирована посторонними предметами. 3. HEPA-фильтр засорен или не полностью высох после очистки. 	<ol style="list-style-type: none"> 1. Освободите отсек для пыли от пыли. 2. Удалите посторонние предметы из электрической щетки для пола. 3. Очистите фильтр HEPA или тщательно его высушите.
Шум очень громкий.	<ol style="list-style-type: none"> 1. Отсек для пыли заполнен. 2. Забит воздуховод. 	<ol style="list-style-type: none"> 1. Освободите отсек для пыли от пыли. 2. Удалите посторонние предметы из воздуховода, электрической щетки для пола, удлинительного стержня или отсека для пыли.
Электрическая щетка для пола перестает работать.	<ol style="list-style-type: none"> 1. Электрическая щетка для пола забита так, что перестает работать для защиты. 2. Электрическая щетка для пола не работает после подключения к сети. 	<ol style="list-style-type: none"> 1. Удалите предметы, застрявшие с электрической щетке для пола. 2. Обратитесь за помощью в отдел послепродажного обслуживания.
Пылесос не может быть заряжен.	<ol style="list-style-type: none"> 1. Плохо соединены адаптер питания и электрическая розетка. 2. Плохо соединен адаптер питания и разъем для зарядки пылесоса. 3. Адаптер питания поврежден. 	<ol style="list-style-type: none"> 1. Надежно вставьте адаптер питания в электрическую розетку. 2. Надежно подключите адаптер питания к разъему для зарядки. 3. Обратитесь за помощью в отдел послепродажного обслуживания.
Индикатор уровня заряда батареи попеременно мигает красным и белым.	Адаптер питания несовместим с пылесосом.	Используйте только прилагаемый адаптер питания, чтобы заряжать пылесос.

Примечание. Если во время использования возникла какая-либо проблема, обратитесь к разделу «Устранение неполадок» выше для ее решения. Если проблема не исчезнет, немедленно прекратите использование пылесоса и обратитесь за помощью в службу послепродажного обслуживания.

Легкий пылесос Mi			
Модель	MJWXQC03DY	Входной ток	0,5 А
Емкость отсека для пыли	Прибл. 0,5 л	Вес нетто	Прибл. 2,3 кг
Размеры изделия	240 × 148 × 1132 мм	Уровень шума	≤79 дБ
Номинальная мощность батареи	2500 мАч	Время зарядки	Прибл. 5 ч.
Рабочая мощность	220 Вт	Входное напряжение	26,0 В ---
Срок службы батареи (без электрической щетки для пола)	45 минут в стандартном режиме		
	13 минут в турбо-режиме		

электрической щетки для пола			
Модель	MJWXQC03DY-DS		
Рабочая мощность	15 Вт	Рабочее напряжение	21,6 В ---

Адаптер питания			
Модель	BLJ15W260050P-VA	Средний КПД в активном состоянии	84,6 %
Вход	100-240 В~ 50/60 гц 0,5 А	КПД при низкой нагрузке (10 %)	71,43 %
Выход	26,0 В--- 0,5 А 13,0 Вт	Энергопотребление без нагрузки	0,10 Вт
Производитель	Zhongshan Baolijin Electronic Co., Ltd.		



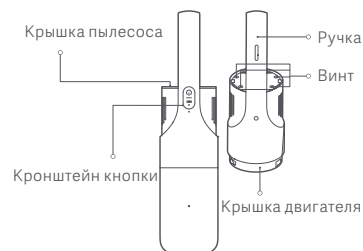
Все изделия, обозначенные символом раздельного сбора отработанного электрического и электронного оборудования (WEEE, директива 2012/19/EU), следует утилизировать отдельно от несортируемых бытовых отходов. С целью охраны здоровья и защиты окружающей среды такое оборудование необходимо сдавать на переработку в специальные пункты приема электрического и электронного оборудования, определенные правительством или местными органами власти. Правильная утилизация и переработка помогут предотвратить возможные негативные последствия для окружающей среды и здоровья человека. Чтобы узнать, где находятся такие пункты сбора и как они работают, обратитесь в компанию, занимающуюся установкой оборудования, или в местные органы власти.

- Пылесос находится в режиме ожидания и не может использоваться во время зарядки.
- Литий-ионный аккумулятор содержит химические вещества, представляющие опасность для окружающей среды. Перед утилизацией пылесоса сначала выньте аккумулятор и утилизируйте или сдайте его на переработку в соответствии с местными законами и правилами страны или региона эксплуатации.

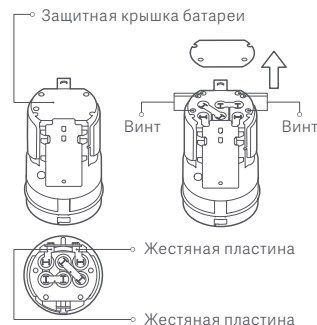
Примечание. Перед извлечением батареи пылесос необходимо выключить. Батарею следует утилизировать безопасным способом.

Как снять батарею

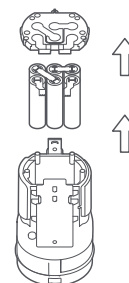
1. Используйте прямую отвертку, чтобы снять кнопку Вкл./Выкл. и скобу для кнопок, затем с помощью инструмента откройте крышку пылесоса. Затем с помощью отвертки открутите четыре винта. Затем вы можете потянуть за ручку и крышку мотора, чтобы отделить батарею.



2. Снимите защитную крышку батарейного отсека, затем отверните четыре винта на крышке. Используйте ножницы, чтобы отрезать жестяную пластину, соединяющую батарею и PCB плату.



3. После снятия верхнего кронштейна батарею можно вынуть из нижнего кронштейна. Затем вы можете утилизировать батарею в соответствии с местными законами и постановлениями.



Instrukcje dotyczące bezpieczeństwa

Produkt ten jest przeznaczony wyłącznie do użytku domowego. Przed przystąpieniem do eksploatacji należy dokładnie zapoznać się z niniejszą instrukcją i zachować ją na przyszłość.

- To urządzenie może być używane przez dzieci w wieku powyżej 8 lat oraz osoby o ograniczonych zdolnościach ruchowych, postrzegania lub umysłowych lub osoby nie mające doświadczenia lub znajomości sprzętu, chyba że odbywa się to pod nadzorem lub zgodnie z instrukcją użytkownika sprzętu w bezpieczny sposób i ze zrozumieniem występujących zagrożeń.
- Urządzenie należy stosować wyłącznie z zasilaczem zawartym w zestawie.
- To urządzenie zawiera baterie niepodlegające wymianie.
- W przypadku uszkodzenia zasilacza należy wymienić go na oryginalne części zakupione u producenta lub w serwisie posprzedażnym.
- Odkurzacz nie jest zabawką. Dzieci nie mogą bawić się tym produktem ani go obsługiwać. Prosimy o zachowanie ostrożności podczas korzystania z odkurzacza w pobliżu dzieci. Nie wolno zezwalać dzieciom na czyszczenie lub konserwację odkurzacza, chyba że odbywa się to pod nadzorem rodzica lub opiekuna.
- Odkurzacza można używać tylko na suchych powierzchniach wewnątrz pomieszczeń. Nie należy montować, ładować ani używać tego produktu na zewnątrz, w łazienkach lub w pobliżu basenu.
- Nie należy dotykać wtyczki ani jakiegokolwiek części odkurzacza mokrymi rękoma.
- Aby zmniejszyć ryzyko pożaru, wybuchu lub obrażeń ciała, przed użyciem należy upewnić się, że akumulator litowo-jonowy i ładowarka nie są uszkodzone. Nie należy używać odkurzacza, jeśli akumulator lub ładowarka są uszkodzone.
- Elektryczna szczotka podłogowa, przedłużenie i odkurzacz przewodzą prąd, dlatego nie wolno zanurzać ich w wodzie lub innym płynie. Po zakończeniu czyszczenia wszystkich części należy upewnić się, że zostały dokładnie osuszone.
- Aby zapobiec obrażeniom spowodowanym przez ruchome części, przed przystąpieniem do czyszczenia elektrycznej szczotki podłogowej i należy wyłączyć odkurzacz. Przed użyciem odkurzacza należy prawidłowo zamontować elektryczną szczotkę podłogową, pojemnik na kurz oraz filtr.
- Nie należy używać odkurzacza do zbierania łatwopalnych cieczy, takich jak benzyna, wybielacze, amoniak lub środki czyszczące do kanalizacji, ani innych cieczy, np. wody.
- Nie wolno używać odkurzacza do zbierania resztek płyt kartonowo-gipsowych, popiołu (np. popiołu z kominka) ani tłących się lub płonących materiałów, takich jak węgiel, niedopałki papierosów lub zapalaki.
- Nie należy używać odkurzacza do zbierania ostrych lub twardych przedmiotów, takich jak szkło, gwoździe, śruby lub monety. Mogą one uszkodzić produkt.

- Włosa, luźne elementy odzieży, palce i inne części ciała należy trzymać z dala od otworów i ruchomych elementów odkurzacza. Nie należy kierować otworu ssącego, przedłużenia lub innych akcesoriów w stronę oczu lub uszu ani wkładać ich do ust.
- Nie należy wkładać żadnych przedmiotów do otworów odkurzacza ani używać odkurzacza z zatkany otworem. Chronić przed kurzem, włóknami, włosami i innymi przedmiotami, które mogą ograniczać przepływ powietrza.
- Nie opierać odkurzacza o krzesło, stół lub inne niestabilne powierzchnie, ponieważ może to spowodować uszkodzenie produktu lub obrażenia ciała. Jeśli odkurzacz nie działa prawidłowo po przewróceniu lub uszkodzeniu, należy skontaktować się z autoryzowanym serwisem. Nigdy nie należy podejmować samodzielnych prób rozebrania odkurzacza.
- Do ładowania produktu w środowisku o temperaturze otoczenia od 0°C do 35°C należy używać wyłącznie oryginalnej ładowarki. W przeciwnym razie może dojść do uszkodzenia akumulatora.
- Przed użyciem odkurzacza należy prawidłowo zamontować pokrywę pojemnika na kurz, filtr wstępny, zespół cyklonowy oraz filtr HEPA.
- Należy upewnić się, że odkurzacz jest odłączony od zasilania, gdy nie jest używany przez dłuższy czas, a także przed wykonaniem jakiegokolwiek konserwacji lub naprawy.
- Należy zachować szczególną ostrożność podczas używania odkurzacza do sprzątania schodów.
- **OSTRZEŻENIE:** Nie stosować w filtrze odkurzacza żadnych substancji zapachowych. Tego typu produkty zawierają łatwopalne substancje chemiczne, które mogą spowodować zapalenie się odkurzacza.
- NIE wystawiać urządzenia na działanie ognia, ponieważ może to spowodować wybuch.
- NIE zanurzać urządzenia w słodkiej ani słonej wodzie lub w innych płynach oraz nie narażać go na działanie takich płynów.
- Podczas korzystania z odkurzacza należy ściśle przestrzegać wskazówek zawartych w niniejszej instrukcji obsługi. Użytkownicy są odpowiedzialni za wszelkie straty lub szkody wynikające z niewłaściwego użytkowania odkurzacza.
- Szczegółową elektroniczną instrukcję obsługi można znaleźć na stronie www.mi.com/global/service/userguide



Niniejszym firma Guangdong Deerma Technology Co., Ltd. deklaruje zgodność produktu z wymogami odpowiednich dyrektyw oraz norm europejskich wraz ze zmianami. Pełny tekst deklaracji zgodności UE jest dostępny na następującej stronie internetowej: <http://www.mi.com/global/service/support/declaration.html>

Przegląd produktu

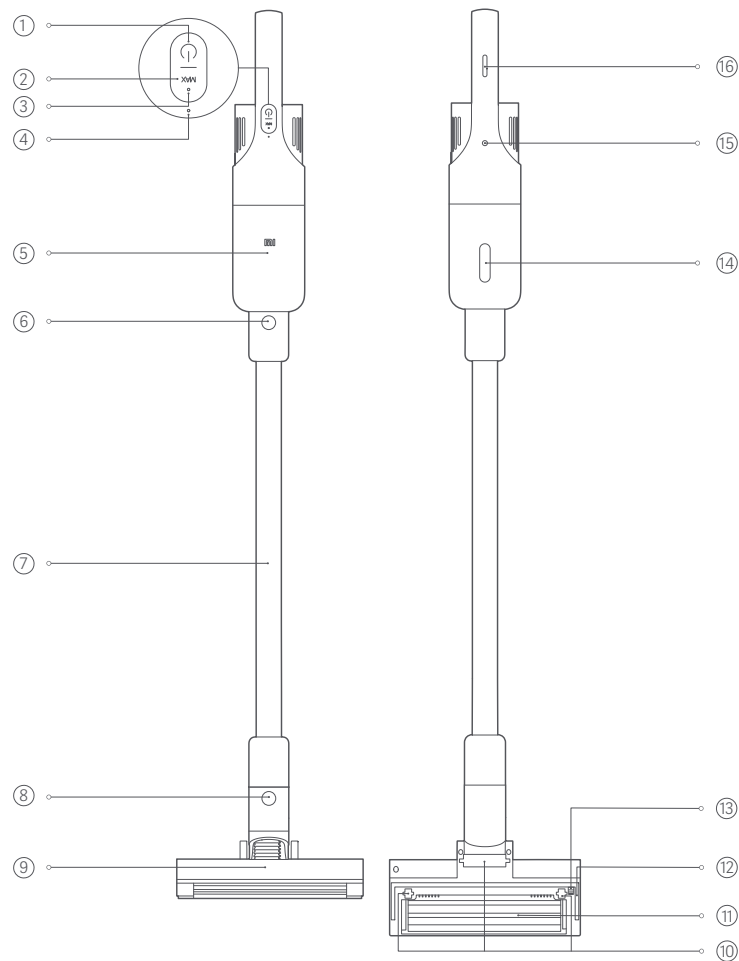
Lekki odkurzacz Mi wyposażony jest w bezszczotkowy silnik o wysokiej prędkości i funkcje takie jak duża siła zasysania oraz system filtrowania o wysokiej wydajności.

- Silnik bezszczotkowy o wysokiej prędkości: Szybki przebieg ze stabilnym wynikiem pracy charakteryzującym się dużą siłą zasysania i szybkim odkurzaniem.
- Duża siła zasysania: Szybkie zasysanie małych i dużych cząstek oraz wysoka wydajność umożliwiają dogłębne czyszczenie całego domu.
- Wysoka wydajność filtrowania: System cyklonowej separacji, zbudowany z drobnej, stalowej kratki, bawełnianego materiału filtrującego oraz filtra HEPA, oddziela duże cząstki kurzu od drobnych, a następnie wychwytuje kurz, uniemożliwiając mu wydostanie się z systemu i utworzenie drugorzędnych substancji zanieczyszczających.
- Niska waga i wiele zastosowań: Kompaktowy i lekki odkurzacz działa z akcesoriami takimi jak lekkie, metalowe przedłużenie, elektryczna szczotka podłogowa, płaska dysza, długa dysza, aby w prosty i skuteczny sposób wyczyścić cały dom.

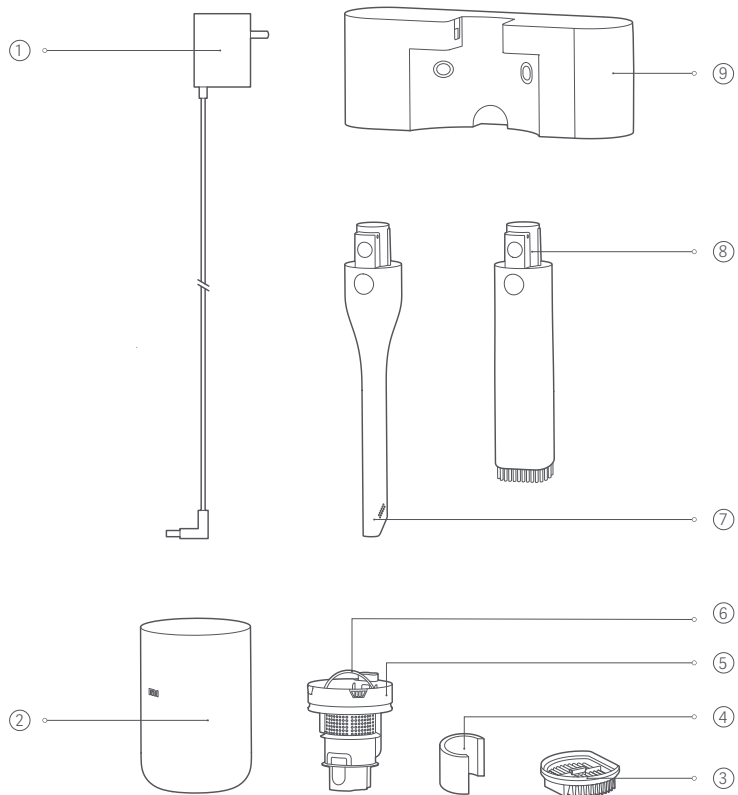
Zawartość opakowania

Nazwa	Ilość
Odkurzacz	1
Przedłużenie	1
Elektryczna szczotka podłogowa	1
Płaska dysza	1
Długa dysza	1
Instrukcja obsługi	1
Uchwyt ścienny	1
Zasilacz	1
Kołek ścienny	2
Wkręt	2

Przegląd produktu



- | | |
|--------------------------------|--|
| ① Przycisk wł./wył. | ② Przycisk siły ssącej |
| ③ Wskaźnik MAKS. | ④ Wskaźnik poziomu naładowania akumulatora |
| ⑤ Pojemnik na kurz | ⑥ Przycisk zwalnający przedłużenie |
| ⑦ Przedłużenie | ⑧ Przycisk zwalnający elektryczną szczotkę podłogową |
| ⑨ Okienko szczotki podłogowej | ⑩ Kółka |
| | ⑪ Szczotka walcowa |
| ⑫ Czyszcząca miękka szczotka | ⑬ Przycisk szczotki walcowej |
| ⑭ Okienko pojemnika na kurz | |
| ⑮ Gniazdo ładowania odkurzacza | ⑯ Pasek antypoślizgowy |

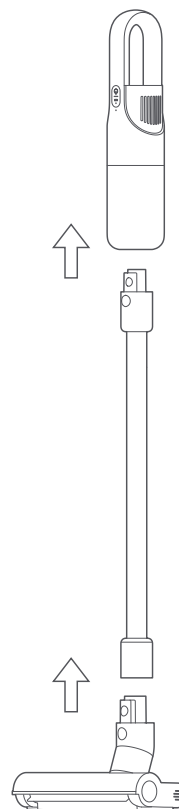


- | | | |
|-----------------------------|-----------------------|---------------------------------|
| ① Zasilacz | ② Pojemnik na kurz | ③ Filtr HEPA |
| ④ Bawełniana tkanina filtra | ⑤ Separator cyklonowy | ⑥ Uchwyt separatora cyklonowego |
| ⑦ Długa dysza | ⑧ Płaska dysza | ⑨ Uchwyt ścienny |

Montaż

Montowanie odkurzacza

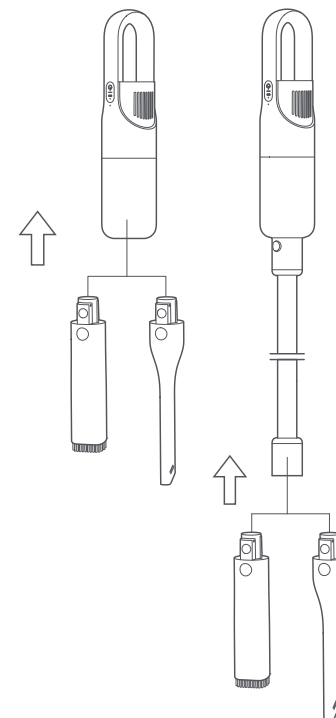
- Połącz przedłużenie z odkurzaczem (jak pokazano); rozlegnie się kliknięcie.
- Połącz elektryczną szczotkę podłogową z przedłużeniem; rozlegnie się kliknięcie.



Montowanie akcesoriów

- Długą i płaską dyszę można połączyć bezpośrednio z odkurzaczem lub przedłużeniem.
- Włóż pionowo długą lub płaską dyszę do odkurzacza albo przedłużenia, jak pokazano; rozlegnie się kliknięcie.

Uwaga: Długa dysza nadaje się do zbierania kurzu w wąskich szczelinach, np. w drzwiach, oknach, na schodach i w narożnikach. Płaska dysza jest odpowiednia do zbierania kurzu z kanapy, szafek, biurka lub powierzchni pulpitych.

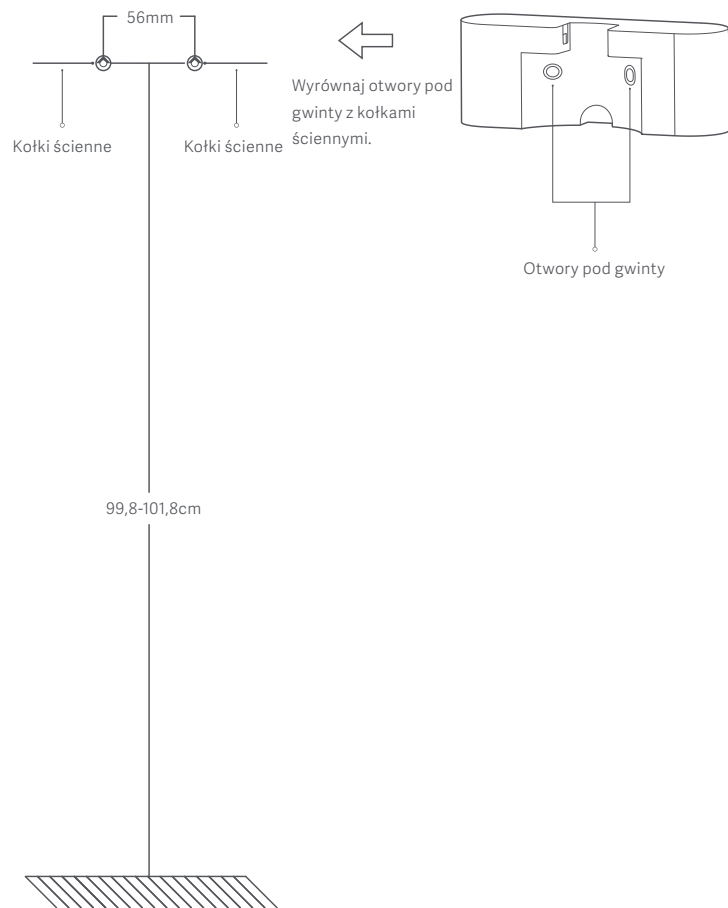


Mocowanie uchwyty ściennego

1. Wywierć na ścianie dwa otwory o średnicy 6 mm, na wysokości of 99,8–101,8 cm nad ziemią, i upewnij się, że odległość między otworami wynosi 56 mm; następnie włóż w otwory dwa kołki ściennie.

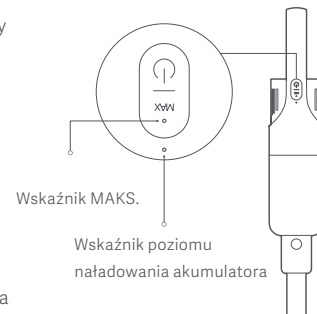
2. Wyrównaj otwory pod wkręty w uchwycie ściennym z kołkami ściennymi, a następnie użyj dwóch wkrętów (4×20 mm), aby dobrze przymocować uchwyt do ściany.

Uwaga: Zaleca się przymocowanie uchwyty blisko gniazdka elektrycznego – w ten sposób można go będzie łatwo podłączyć do zasilania.



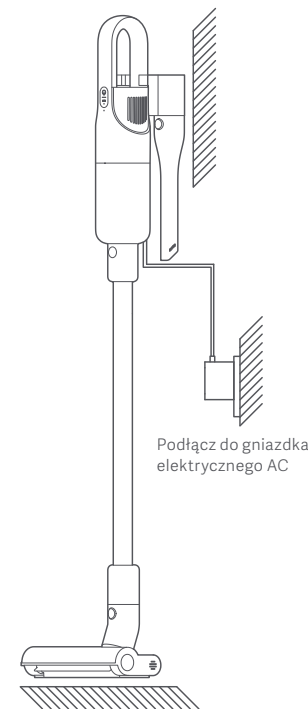
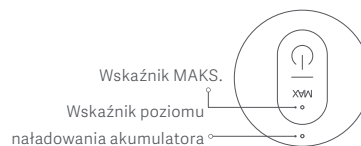
Użytkowanie

- Włączanie/wyłączanie: Naciśnij i przytrzymaj przycisk wł./wyt. (⏻) przez 1 sekundę; odkurzacz uruchomi się i będzie domyślnie działać w trybie standardowym. Naciśnij ponownie przycisk wł./wyt., aby wstrzymać pracę odkurzacza.
- Przełączanie trybu: Podczas obsługi odkurzacza naciśnij przycisk siły ssącej, aby przejść w tryb turbo (poziom MAKS.); w międzyczasie wskaźnik MAKS. będzie świecić się na biało. Naciśnij przycisk siły ssącej ponownie, aby przejść w tryb standardowy.
- Wskaźnik poziomu naładowania akumulatora: Przy wystarczającym poziomie naładowania akumulatora, wskaźnik naładowania świeci się na biało. Gdy poziom naładowania baterii odkurzacza będzie niski, wskaźnik zapali się na czerwono; jeśli tak się zdarzy, odkurzacz nie można przełączyć w tryb turbo. Gdy bateria ulegnie wyczerpaniu, odkurzacz wyłączy się automatycznie.



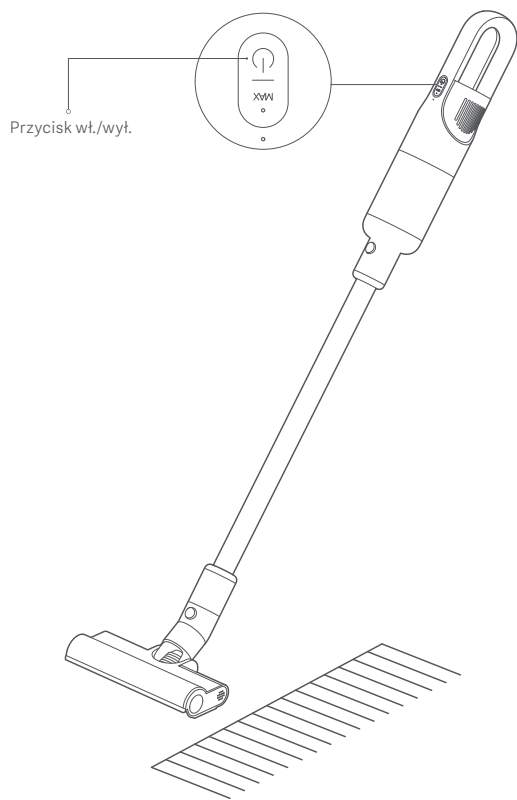
Metoda ładowania

1. Przed przystąpieniem do ładowania upewnij się, że zasilacz jest dobrze podłączony do gniazdka elektrycznego i do odkurzacza.
2. Podczas ładowania wskaźnik poziomu naładowania akumulatora miga się. Po pełnym naładowaniu baterii wskaźnik zgaśnie.
3. Jeśli odkurzacz zostanie podłączony do ładowania przy pełnej baterii, wskaźnik będzie się migać przez 20 sekund, a następnie zgaśnie.



Włączanie/wyłączanie i odkurzanie

- Naciśnij i przytrzymaj przycisk wł./wył. (⏻) przez 1 sekundę; odkurzacz uruchomi się i będzie domyślnie działać w trybie standardowym. Tryb można przełączać zgodnie z potrzebą.
 - Przytrzymaj uchwyt odkurzacza; pociągaj go do tyłu i popychaj do przodu, aby odkurzyć i wyczyścić podłogę za pomocą szczotki podłogowej. Zgodnie z potrzebą można również użyć płaskiej lub długiej dyszy.
- Naciśnij ponownie przycisk wł./wył., aby wstrzymać pracę odkurzacza.



Gdy odkurzacz wykonuje pracę

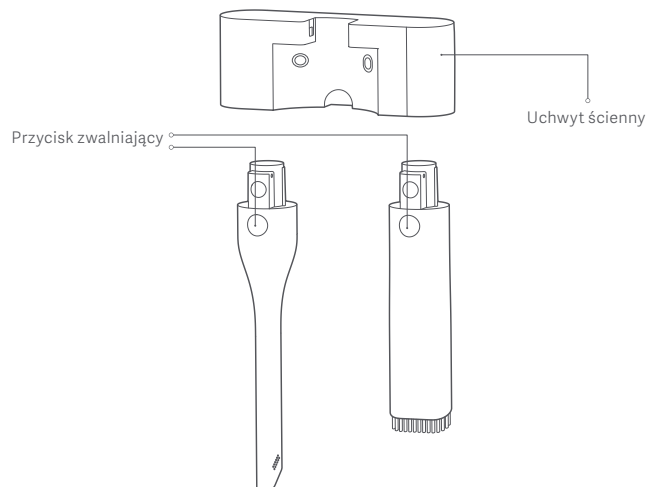
- Gdy poziom naładowania baterii jest niski, wskaźnik naładowania będzie migać się na czerwono – odkurzacz będzie wkrótce wymagać naładowania. Gdy odkurzacz pracuje w trybie standardowym, nie można go przełączyć w tryb turbo.
- Jeśli odkurzacza nie naładuje się na czas, napięcie akumulatora stanie się zbyt niskie, a odkurzacz wyłączy się automatycznie, aby chronić akumulator.
- Jeśli odkurzacz wyłączy się na skutek wyczerpania akumulatora, naładuj go na czas. W przeciwnym razie akumulator może ulec uszkodzeniu z powodu nadmiernego wyładowania, jeśli nie jest używany przez dłuższy okres czasu.

Uwagi

- Po odbiorze odkurzacza akumulator naładowany jest tylko do pewnego poziomu. Zaleca się podłączenie zasilacza i pełne naładowanie akumulatora przed pierwszym użyciem.
- Podczas ładowania odkurzacza nie można ładować.

Przechowywanie akcesoriów

Gdy akcesoria nie są używane, można je przechowywać na uchwycie ściennym. Za pomocą przycisku zwalniania i w kierunku pokazanym na rysunku wkładaj pionowo długą lub płaską dyszę do uchwytu ściennego, aż rozlegnie się kliknięcie. Aby zdjąć akcesoria z uchwytu ściennego, naciśnij przycisk zwalniający i równocześnie wyjmij je w pionie.



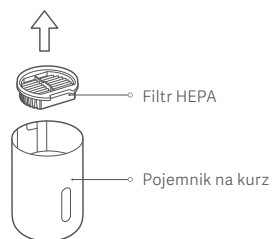
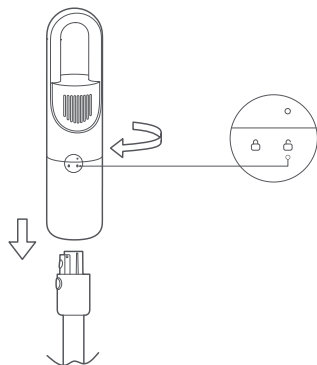
Dbanie o urządzenie i konserwacja

Uwaga: Przed przystąpieniem do czyszczenia lub konserwacji odkurzacza należy go wyłączyć i odłączyć od zasilania.

- Czyść pojemnik na kurz regularnie, aby uniknąć gromadzenia się kurzu, który mógłby spowodować blokadę i wpłynąć na siłę zasysania.
- Aby zapobiec opadaniu kurzu na podłogę, usuwaj go, trzymając pojemnik na kurz nad koszem na śmieci.

Wymowanie i montowanie pojemnika na kurz

1. Po zakończeniu odkurzania lub po całkowitym wypełnieniu pojemnika na kurz pociągnij przedłużenie i obróć pojemnik na kurz w kierunku pokazanym na rysunku. Gdy „o” ułoży się w jednej linii z symbolem odblokowania „o”, pojemnik na kurz można usunąć z odkurzacza.

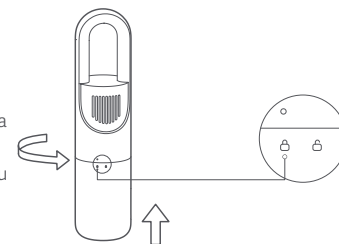


2. Wymij filtr HEPA z pojemnika na kurz, jak pokazano na rysunku, a następnie usuń kurz z jego powierzchni.



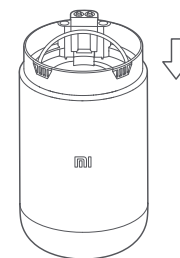
3. Przechyl uchwyt separatora cyklonowego nad pojemnikiem na śmieci, aby zdjąć go z pojemnika na kurz, jak pokazano na rysunku. Opróżnij pojemnik na kurz i zbierz kurz z powierzchni separatora cyklonowego.

4. Po zakończeniu czyszczenia umieść separator cyklonowy i filtr HEPA z powrotem w pojemniku na kurz. Wyrównaj symbol „o” z „o”, a następnie obracaj pojemnik na kurz w kierunku pokazanym na rysunku, aż „o” ułoży się w jednej linii z symbolem odblokowania „o”. Po usłyszeniu kliknięcia pojemnik na kurz będzie dobrze zamocowany na odkurzaczu.



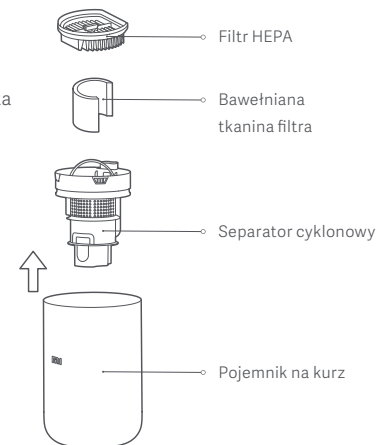
Montowanie separatora cyklonowego

Popychaj separator cyklonowy, aż dosięgnie końca pojemnika na kurz.



Czyszczenie pojemnika na kurz i zespołu filtra

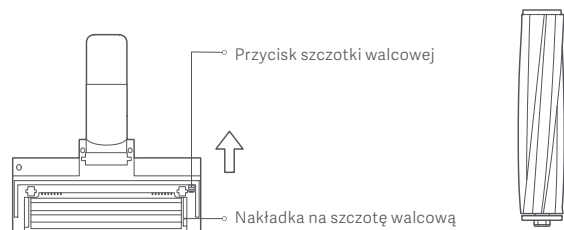
Wymij kolejno filtr HEPA, bawełnianą tkaninę filtra i separator cyklonowy z pojemnika na kurz. Usuń wszelki kurz z powierzchni, a następnie opłucz je czystą wodą. Przed użyciem pozostaw do wysuszenia w przewiewnym miejscu, z dala od promieni słonecznych. W razie potrzeby można wymienić filtr na konkretny model filtra HEPA.



Czyszczenie szczotki walcowej

1. Naciśnij przycisk szczotki walcowej jak pokazano na rysunku, aby otworzyć pokrywkę, a następnie wyciągnij szczotkę, aby ją wyczyścić. Po wyczyszczeniu włóż szczotkę walcową z powrotem i zamknij pokrywkę; rozlegnie się kliknięcie.

2. Odetnij włosy i włókna przyczepione do szczotki wałka, a następnie usuń je.



- Odkurzacze należy czyścić suchą szmatką. Nie stosuj rozpuszczalników chemicznych, takich jak benzyna, alkohol czy rozcieńczalnik lakierów, bo mogą one spowodować pęknięcie lub wyblaknięcie obudowy.
- Przed przystąpieniem do czyszczenia lub konserwacji upewnij się, że odkurzacz jest wyłączony.
- Gdy pojemnik na kurz wypełni się, opróżnij go natychmiast. W przeciwnym razie brud może go zablokować, co wpłynie na wydajność zasysania i spowoduje przegrzanie się silnika.
- Zaleca się wymianę filtra HEPA co 2–3 miesiące. Filtr należy zmieniać częściej, jeżeli używany jest często.

Rozwiązywanie problemów

Problem	Prawdopodobna przyczyna	Rozwiązania
Odkurzacz nie działa.	<ol style="list-style-type: none"> 1. Poziom naładowania akumulatora jest niski. 2. Odkurzacz wykonuje pracę przez długi czas, więc się przegrzał. 3. Odkurzacz nie jest podłączony do zasilania. 4. Jeśli przewody powietrzne zostaną zatkane na osiem sekund, silnik wstrzyma pracę, aby zabezpieczyć odkurzacz przed przegrzaniem. 5. Silnik lub akumulator uległ uszkodzeniu. 	<ol style="list-style-type: none"> 1. Naładuj odkurzacz. 2. Schłodź odkurzacz, a następnie użyj go ponownie. 3. Doprowadź zasilanie do odkurzacza. 4. Usuń ciała obce z kanału wentylacyjnego, elektrycznej szczotki podłogowej, przedłużenia lub pojemnika na kurz. 5. Skontaktuj się z działem obsługi posprzedażnej w celu uzyskania pomocy.
Siła ssania zmniejsza się.	<ol style="list-style-type: none"> 1. Pojemnik na kurz jest pełny. 2. Elektryczna szczotka podłogowa została zablokowana przez ciała obce. 3. Filtr HEPA uległ zablokowaniu lub nie wysuszył się całkowicie po czyszczeniu. 	<ol style="list-style-type: none"> 1. Usuń zawartość pojemnika na kurz. 2. Usuń ciała obce z elektrycznej szczotki podłogowej. 3. Wyczyść filtr HEPA lub wysusz go całkowicie.
Hałas jest naprawdę duży.	<ol style="list-style-type: none"> 1. Pojemnik na kurz jest pełny. 2. Kanał wentylacyjny uległ zablokowaniu. 	<ol style="list-style-type: none"> 1. Usuń zawartość pojemnika na kurz. 2. Usuń ciała obce z kanału wentylacyjnego, elektrycznej szczotki podłogowej, przedłużenia lub pojemnika na kurz.
Elektryczna szczotka podłogowa przestaje działać.	<ol style="list-style-type: none"> 1. Elektryczna szczotka podłogowa uległa zablokowaniu i przestała działać – w ten sposób jest chroniona. 2. Elektryczna szczotka podłogowa nie działa po podłączeniu do zasilania. 	<ol style="list-style-type: none"> 1. Usuń ciała splątane z elektryczną szczotką podłogową. 2. Skontaktuj się z działem obsługi posprzedażnej w celu uzyskania pomocy.
Odkurzacza nie można naładować.	<ol style="list-style-type: none"> 1. Połączenie między zasilaczem a gniazdkiem elektrycznym nie jest prawidłowe. 2. Połączenie między zasilaczem a gniazdem ładowania odkurzacza nie jest prawidłowe. 3. Zasilacz uległ uszkodzeniu. 	<ol style="list-style-type: none"> 1. Dobrze podłącz zasilacz do gniazdka elektrycznego. 2. Dobrze podłącz zasilacz do gniazda ładowania. 3. Skontaktuj się z działem obsługi posprzedażnej w celu uzyskania pomocy.
Wskaźnik poziomu naładowania akumulatora miga się naprzemiennie na czerwono i biało.	Zasilacz nie jest kompatybilny z odkurzaczem.	Do ładowania odkurzacza używaj wyłącznie zawartego w zestawie zasilacza.

Uwaga: Jeśli podczas użytkowania odkurzacza wystąpią jakiegokolwiek problemy, zapoznaj się z sekcją rozwiązywania problemów przedstawioną powyżej. Jeśli problem nie ustępuje, natychmiast przerwij korzystanie z odkurzacza i skontaktuj się z działem obsługi posprzedażnej w celu uzyskania pomocy.

Dane techniczne

Lekki odkurzacz Mi			
Model	MJWXCQ03DY	Prąd wejściowy	0,5 A
Pojemność pojemnika na kurz	ok. 0,5 l	Masa netto	ok. 2,3 kg
Wymiary pozycji	240 × 148 × 1132 mm	Napięcie wejściowe	26,0 V ~
Pojemność znamionowa akumulatora	2500 mAh	Emisja hałasu	≤ 79 dB
Moc robocza	220 W	Czas ładowania	ok. 5 godzin
Okres eksploatacyjny akumulatora (z wyjątkiem elektrycznej szczotki podłogowej)	45 minut w trybie standardowym		
	13 minut w trybie turbo		

elektrycznej szczotki podłogowej			
Model	MJWXCQ03DY-DS		
Moc robocza	15 W	Napięcie robocze	21,6 V ~

Zasilacz			
Model	BLJ15W260050P-VA	Średnia Sprawność podczas Pracy	84,6 %
Wejście	100-240 V~ 50/60 Hz 0,5 A	Wydajność przy Niskim Obciążeniu (10%)	71,43 %
Wyjście	26,0 V ~ 0,5 A 13,0 W	Zużycie Mocy bez obciążenia	0,10 W
Producent	Zhongshan Baolijin Electronic Co., Ltd.		



Wszystkie produkty oznaczone tym symbolem są uznane za odpady sprzętu elektrycznego i elektronicznego (WEEE zgodnie z Dyrektywą 2012/19/UE) i nie mogą być wyrzucane po zakończeniu okresu użytkowania wraz z innymi odpadami. W celu ochrony zdrowia ludzi oraz środowiska naturalnego należy przekazać zużyty sprzęt do

wyznaczonego punktu utylizacji wyznaczonego przez instytucje rządowe lub lokalne. Prawidłowe usunięcie zużytego produktu pomaga w zapobieganiu potencjalnym negatywnym skutkom oddziaływania na środowisko naturalne i zdrowie ludzi. Więcej informacji można uzyskać w urzędzie lokalnym lub od instalatora.

Przestrogi związane ze stosowaniem akumulatora

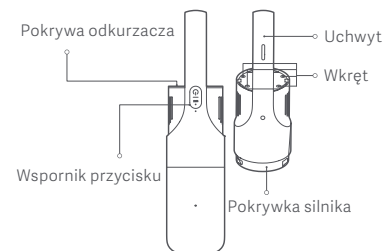
- Odkurzacz znajduje się w trybie gotowości i nie można go używać podczas ładowania.
- Akumulator litowo-jonowy zawiera substancje niebezpieczne dla środowiska. Przed użyciem odkurzacza należy najpierw wyjąć akumulator, a następnie zutylizować go lub poddać recyklingowi zgodnie z lokalnymi przepisami i regulacjami prawnymi kraju lub regionu, w którym jest używany.

Uwaga: Przed wyjęciem akumulatora należy wyłączyć odkurzacz.

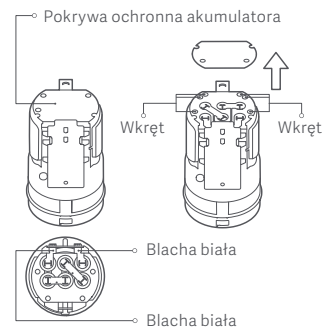
Akumulator należy bezpiecznie wycofać z eksploatacji.

Jak wyjąć akumulator?

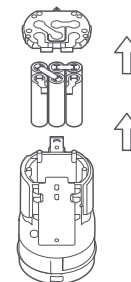
1. Użyj prostego śrubokręta do usunięcia przycisku wł./wył. i wspornika przycisku, a następnie użyj narzędzia, aby otworzyć pokrywę odkurzacza. Następnie użyj śrubokręta do odkręcenia czterech wkrętów. Pociągnij za uchwyt i pokrywkę silnika, aby oddzielić akumulator.



2. Zdejmij pokrywę ochronną akumulatora, a następnie odkręć cztery wkręty na pokrywie za pomocą śrubokręta. Za pomocą nożyczek odetnij blachę białą łączącą akumulator z płytą PCB.



3. Po wyjęciu górnego wspornika akumulator można zdjąć z dolnego wspornika. Następnie akumulator można wycofać z eksploatacji zgodnie z lokalnymi przepisami.



Güvenlik Talimatları

Bu ürün sadece ev kullanımı içindir. Ürünü kullanmadan önce bu kılavuzu dikkatlice okuyun ve ileride başvurmak üzere saklayın.

- Bu cihaz; gözetim altındalarsa ve kendilerine cihazın güvenli bir şekilde kullanılmasına ve ilgili tehlikelerin anlaşılmasına yönelik talimatlar verilmişse; 8 yaş ve üzeri çocuklar ve fiziksel, duyuşsal veya zihinsel yetileri azalmış ya da deneyim ve bilgi eksikliği olan kişiler tarafından kullanılabilir. Çocuklar cihaz ile oynamamalıdır. Temizlik ve kullanıcı bakımı, gözetim altında olmadan çocuklar tarafından yapılmamalıdır.
- Cihaz, yalnızca cihazla birlikte verilen güç kaynağı ünitesi ile birlikte kullanılmalıdır. Bu cihaz değiştirilemeyen piller içermektedir.
- Güç adaptörü hasar görürse, üreticiden veya satış sonrası hizmet departmanından satın alınmış bir orijinal bileşenle değiştirilmelidir. Bu elektrikli süpürge bir oyuncak değildir. Çocuklar ürünle oynamamalı veya ürünü çalıştırmamalıdır. Elektrikli süpürgeyi çocukların yanında kullanırken lütfen dikkatli olun. Çocukların, bir ebeveyn veya gözetiminin gözetimi olmadan, elektrikli süpürgeyi temizlemelerine veya süpürgeyi bakımını yapmalarına izin vermeyin. Elektrikli süpürgeyi yalnızca kuru iç mekân yüzeylerinde kullanın. Bu ürünü banyoların içinde veya havuz kenarı gibi dış mekanlarda kurmayın, şarj etmeyin veya kullanmayın. Elektrikli süpürgeyi fişine veya herhangi bir parçasına ıslak ellerle dokunmayın.
- Yangın, patlama veya kişisel yaralanma riskini azaltmak için, kullanmadan önce lityum iyon pilin ve şarj cihazının zarar görmemiş olduğundan emin olun. Pil veya şarj cihazı hasar görmüşse elektrikli süpürgeyi kullanmayın. Elektrikli zemin fırçası, uzatma çubuğu ve elektrikli süpürge elektrik iletken malzemelerdir ve suya veya başka bir sıvının içine batırılmamalıdır. Bu malzemeleri temizledikten sonra tüm parçaların iyice kurduğundan emin olun. Hareketli parçalardan kaynaklanan yaralanmaları önlemek için, elektrikli zemin fırçasını temizlemeden önce elektrikli süpürgeyi kapatın. Elektrikli zemin fırçası, toz haznesi ve filtre gibi parçaların tamamı elektrikli süpürge kullanılmadan önce düzgün şekilde takılmalıdır. Elektrikli süpürgeyi benzin, çamaşır suyu, amonyak veya lavabo açıcılar gibi yanıcı veya parlayıcı sıvıları ya da su gibi diğer sıvıları almak için kullanmayın. Elektrikli süpürgeyi duvar parçacıklarını, şömine külü gibi külleri veya kömür, sigara izmariti ya da kibrit gibi yanan malzemeleri almak için kullanmayın. Elektrikli süpürgeyi cam, çivi, vida veya bozuk para gibi ürüne zarar verebilecek keskin veya sert nesnelere almak için kullanmayın. Saçları, bol giysileri, parmakları ve vücudun diğer kısımlarını elektrikli süpürgeye açık kısımlarından ve hareketli parçalarından uzak tutun. Emme aralığını, uzatma çubuğunu veya diğer aksesuarları gözlerinize veya kulaklarınıza doğrultmayın veya ağzınıza sokmayın.

- Elektrikli süpürgeyi açık kısımlarına herhangi bir nesne sokmayın veya açık kısımları tıkanmışken elektrikli süpürgeyi kullanmayın. Hava akışını azaltabilecek toz, tüy, saç veya diğer maddelerden uzak tutun.
- Elektrikli süpürgeyi bir sandalyeye, masaya veya diğer dengersiz yüzeylere yaslamayın çünkü böyle yapmak ürüne zarar verebilir veya kişisel yaralanmalara neden olabilir. Elektrikli süpürge, devrildiği veya hasar gördüğü için arızalanırsa, lütfen yetkili servis departmanı ile iletişime geçin. Elektrikli süpürgeyi asla kendi başınıza sökmeye çalışmayın.
- Ürünü 0 °C ila 35 °C ortam sıcaklığına sahip ortamlarda şarj etmek için yalnızca orijinal şarj cihazını kullanın. Aksi takdirde pil zarar görebilir.
- Elektrikli süpürge kullanılmadan önce toz haznesi kapağı, ön filtre, siklon tertibatı ve HEPA filtresi gibi parçaların tamamı düzgün şekilde takılmalıdır.
- Uzun süre kullanılmadığında ve ayrıca herhangi bir bakım veya onarım gerçekleştirilmeden önce, elektrikli süpürgeyi fişinin takılı olmadığından emin olun.
- Merdivenleri temizlemek için elektrikli süpürgeyi kullanırken lütfen çok dikkatli olun.
- **UYARI:** Elektrikli süpürgeyi filtresine herhangi bir tür koku uygulamayın. Bu tür ürünlerin, elektrikli süpürgeyi alev almasına neden olabilecek yanıcı kimyasallar içerdiği bilinmektedir.
- Patlamaya neden olabileceği için cihazı ateşe maruz BIRAKMAYIN.
- Cihazı herhangi bir su, tuzlu su veya diğer sıvılara maruz BIRAKMAYIN veya içine BATIRMAYIN.
- Elektrikli süpürgeyi kullanırken bu kullanım kılavuzundaki talimatları lütfen sıkı sıkıya takip edin. Elektrikli süpürgeyi yanlış kullanımdan kaynaklanabilecek herhangi bir kayıp veya hasardan kullanıcılar sorumludur.



Guangdong Deerma Technology Co., Ltd. olarak işbu belge ile bu ekipmanın geçerli Direktiflere, Avrupa Normlarına ve değişikliklere uygun olduğunu beyan ederiz. AB uygunluk beyanının tam metnine şu adresten ulaşılabilir: <http://www.mi.com/global/service/support/declaration.html>

Ürüne Genel Bakış

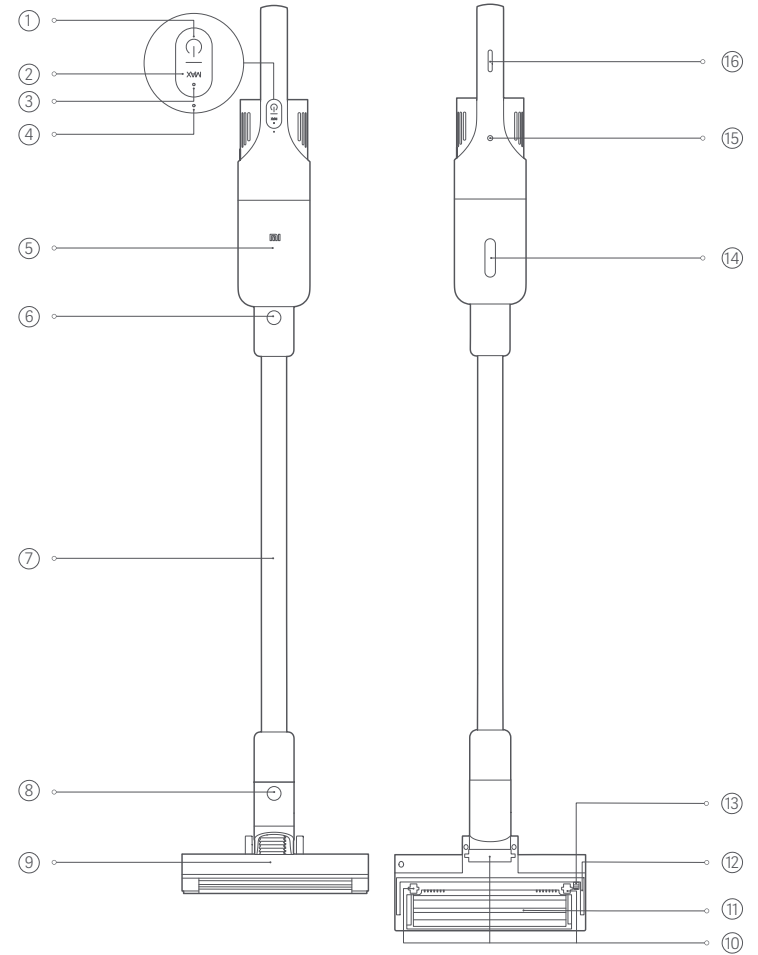
Yüksek hızlı fırçasız bir motorla donatılmış olan Mi Hafif Elektrikli Süpürge, güçlü emiş ve yüksek verimli bir filtreleme sistemi gibi üstün özelliklere sahiptir.

- Yüksek hızlı fırçasız motor: Hızlı süpürme için, güçlü emişin sabit bir randımanıya hızlı bir şekilde çalıştırın.
- Güçlü Emiş: Bütün evi dip köşe temizlemek için küçük ve büyük parçacıkların yüksek verimlilikle hızlı bir şekilde emilmesi.
- Yüksek Verimli Filtreleme: İnce bir çelik ağ, filtre pamuğu ve bir HEPA filtresinden oluşan siklonik ayırma sistemi büyük parçacıklı tozları ince tozlardan ayırır, ardından ikincil bir kirlenmeyi önlemek için geri çıkmasını diye bu tozu hapseder.
- Hafif ve çok amaçlı: Kompakt ve hafif olan bu süpürge, bütün evi kolayca ve etkin bir şekilde süpürmek için hafif metal uzatma çubuğu, elektrikli zemin fırçası, düz başlık ve uzun başlık gibi aksesuarlarla çalışır.

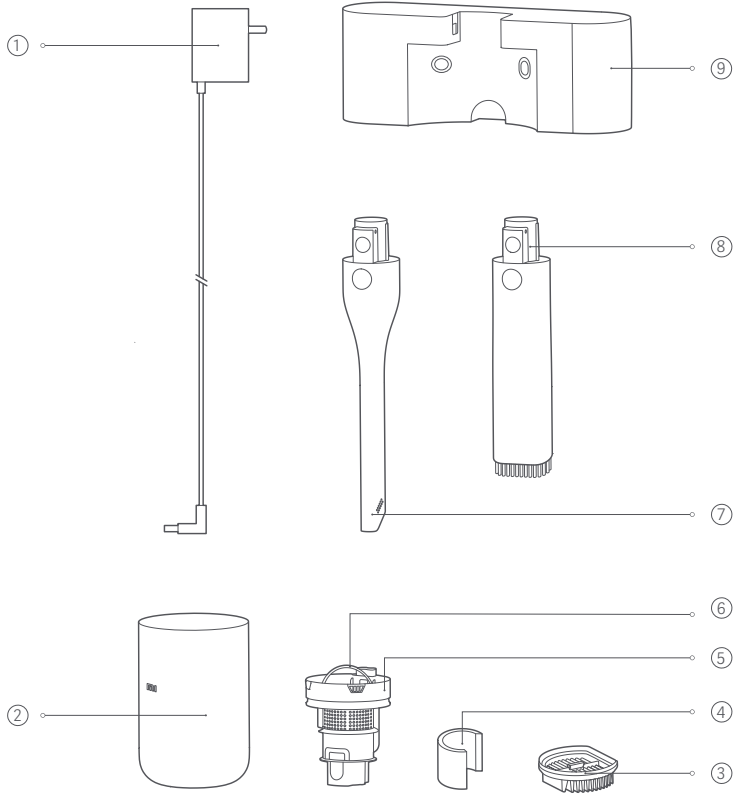
Paket İçeriği

Ad	Miktar
Elektrikli Süpürge	1
Uzatma çubuğu	1
Elektrikli zemin fırçası	1
Düz başlık	1
Uzun başlık	1
Kullanım kılavuzu	1
Duvar montesi	1
Güç adaptörü	1
Duvar dübeli	2
Vida	2

Ürüne Genel Bakış



- 1 Açma/Kapama Tuşu
- 2 Emme Seviyesi Düğmesi
- 3 MAKS Göstergesi
- 4 Pil Düzeyi Göstergesi
- 5 Toz Haznesi
- 6 Uzatma Çubuğu Serbest Bırakma Düğmesi
- 7 Uzatma Çubuğu
- 8 Elektrikli Zemin Fırçası Serbest Bırakma Düğmesi
- 9 Zemin Fırçası Penceresi
- 10 Tekerlekler
- 11 Döner Fırça
- 12 Yumuşak Temizleme Fırçası
- 13 Döner Fırça Düğmesi
- 14 Toz Haznesi Penceresi
- 15 Elektrikli Süpürge Şarj Bağlantı Noktası
- 16 Kaydırmaz Şerit



- ① Güç Adaptörü
- ④ Pamuk Filtresi
- ⑦ Uzun Başlık

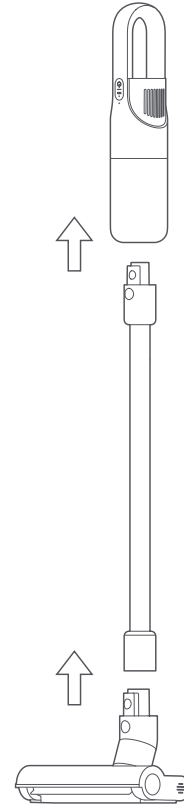
- ② Toz Haznesi
- ⑤ Siklon Ayırıcı
- ⑧ Düz Başlık

- ③ HEPA Filtresi
- ⑥ Siklon Ayırıcı Kulpu
- ⑨ Duvar Montesi

Nasıl Kurulur

Elektrikli Süpürgein Kurulması

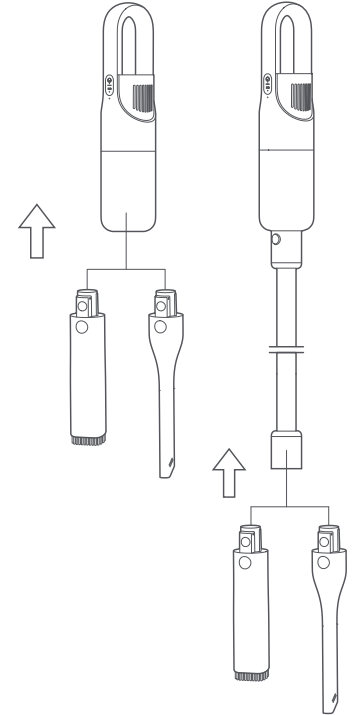
1. Uzatma çubuğunu resimde gösterildiği şekilde, bir tıklama sesi duyana kadar elektrikli süpürgeye takın.
2. Elektrikli zemin fırçasını resimde gösterildiği şekilde, bir tıklama sesi duyana kadar uzatma çubuğuna takın.



Aksesuarların Kurulumu

1. Uzun başlık ve düz başlık, elektrikli süpürgeye veya uzatma çubuğuna doğrudan takılabilir.
2. Uzun başlığı veya düz başlığı, resimde gösterildiği şekilde, bir tıklama sesi duyana kadar dikey olarak elektrikli süpürgeye yerleştirin.

Not: Uzun başlık; kapılar, pencereler, merdivenler ve köşeler gibi dar boşluklardaki tozları temizlemek için uygundur. Düz başlık; koltukları, dolapları ve masa veya konsol yüzeylerini temizlemek için mükemmeldir.

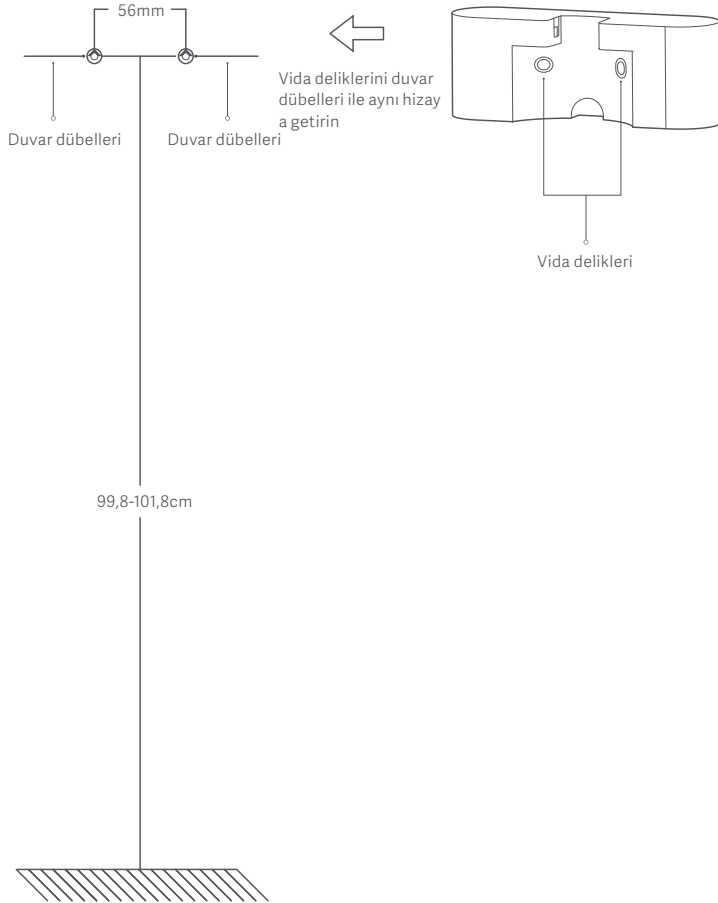


Duvar montesinin sabitlenmesi

1. Duvara zeminden yükseklikleri 99,8-101,8 cm olan ve her birinin çapı 6 mm olan iki delik açın, deliklerin arasındaki mesafenin 56 mm olduğundan emin olun, ardından iki adet duvar dübelini deliklere yerleştirin.

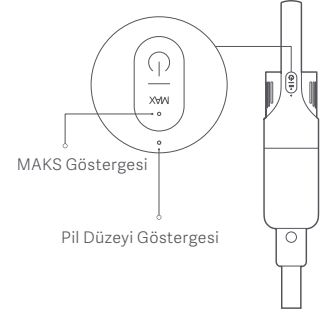
2. Duvar montesindeki vida deliklerini duvar dübelleri ile aynı hizaya getirin, ardından duvar montesini duvara sıkıca bağlamak için iki adet vidayı (4 × 20 mm) kullanın.

Not: Duvar montesinin, kolayca elektrikle bağlanabilmesi için bir elektrik prizinin yakınına sabitlenmesi önerilir.



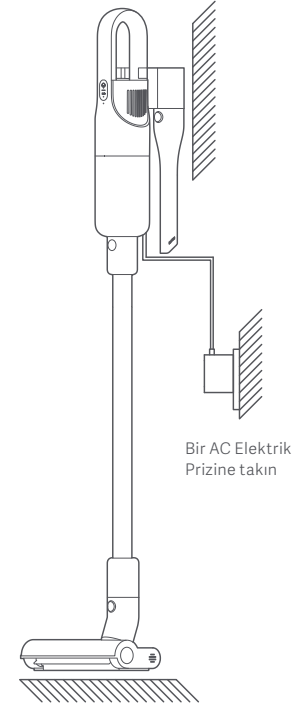
Kullanım

- Açma / kapama: Açma / kapama düğmesini \cup 1 saniye basılı tutun, ardından elektrikli süpürge çalışmaya başlar ve varsayılan olarak standart moda açılır. Elektrikli süpürgeyi durdurmak için yine açma/kapama düğmesine basın.
- Mod değiştir: Turbo moda (MAKS seviye) geçmek için, elektrikli süpürge çalışırken emme seviyesi düğmesine basın; bu arada MAKS göstergesi beyaza dönecektir. Standart moda geçmek için emme seviyesi düğmesine tekrar basın.
- Pil Düzeyi Göstergesi: Pil seviyesi yeterli olduğunda, pil düzeyi göstergesi beyaz yanar. Elektrikli süpürge düşük pil seviyesinde çalıştığında, gösterge ışığı kırmızı yanar; böyle olduğunda elektrikli süpürge turbo moduna geçirilemez. Pil bittiğinde, elektrikli süpürge otomatik olarak kapanır.




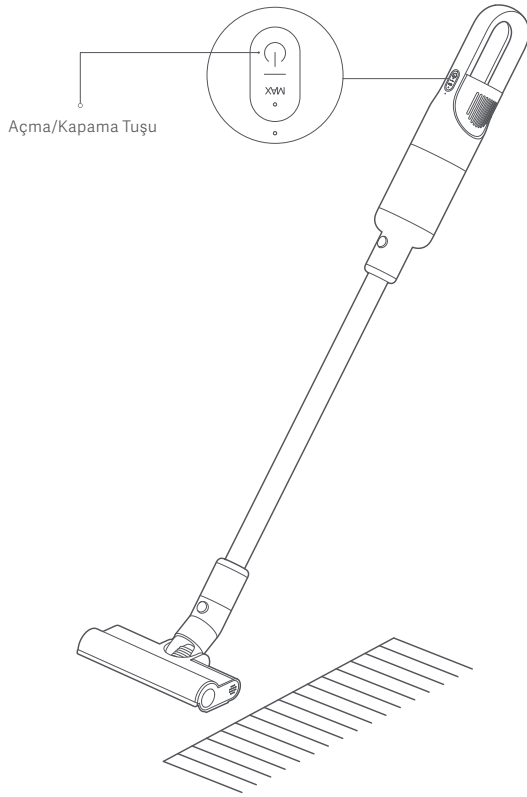
Şarj yöntemi

1. Şarj etmeden önce güç adaptörünün elektrik prizine ve elektrikli süpürgeye iyice takılı olduğundan emin olun.
2. Şarj olduğu sırada pil düzeyi göstergesi yanıp söner. Pil tamamen şarj olduğunda, pil seviyesi göstergesi söner.
3. Elektrikli süpürgeyi pili doluyken şarj ederseniz, pil seviyesi göstergesi 20 saniye boyunca yanıp söner ve ardından kapanır.



Açma/Kapama & Süpürme

- Açma / kapama düğmesini  1 saniye basılı tutun, ardından elektrikli süpürge çalışmaya başlar ve varsayılan olarak standart modda açılır. Modu gerektiği şekilde değiştirebilirsiniz.
- Süpürmek ve zemin fırçası ile zemini temizlemek için elektrikli süpürge sapından tutun ve ileri geri itirin. Ayrıca ihtiyacınıza göre uzun başlığı veya düz başlığı kullanabilirsiniz.
- Elektrikli süpürgeyi durdurmak için yine açma/kapama düğmesine basın.



Elektrikli Süpürge Çalışırken

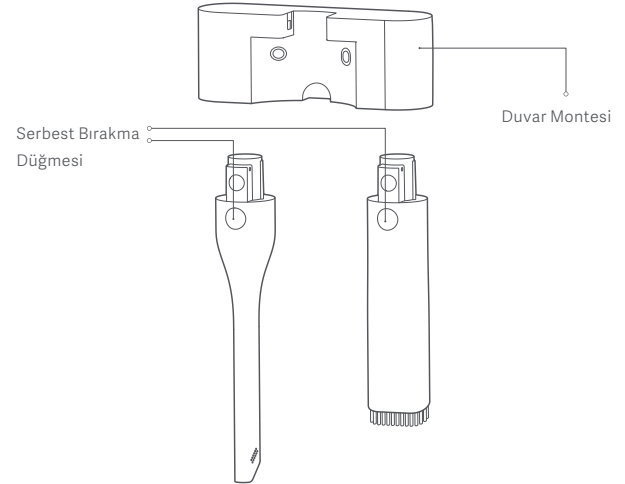
- Pil seviyesi düştüğünde pil düzeyi göstergesi kırmızı renkte yanıp sönecektir, lütfen en kısa sürede elektrikli süpürgeyi şarj edin. Eğer elektrikli süpürge standart modda çalışıyorsa, turbo moduna geçemeyecektir.
- Eğer zamanında yeniden şarj edilmezse pil voltajı çok düşecektir, ardından elektrikli süpürge pili korumak için otomatik olarak kapanacaktır.
- Eğer elektrikli süpürge pili bittiği için kapanırsa, lütfen süpürgeyi zamanında yeniden şarj edin. Aksi takdirde, eğer süpürge uzun bir süre kullanılmamışsa, aşırı deşarj olduğu için pil zarar görebilir.

Notlar

- Aldığınızda elektrikli süpürge pili çok az dolu olarak gelir. İlk kullanımdan önce elektrikli süpürgeyi tamamen şarj etmek için güç adaptörüne bağlamanız önerilir.
- Elektrikli süpürge şarj olurken kullanılamaz.

Aksesuarların Saklanması

Aksesuarlar, kullanılmadıkları zaman duvar montesinde saklanabilirler. Uzun başlığı veya düz başlığı, bir tıklama sesi duyana kadar dikey olarak, serbest bırakma düğmesinin yönü resimde gösterildiği gibi olacak şekilde, duvar montesine yerleştirin. Aksesuarları duvar montesinden çıkarmak için, serbest bırakma düğmesine basın ve aynı anda dikey olarak aşağı doğru çekin.



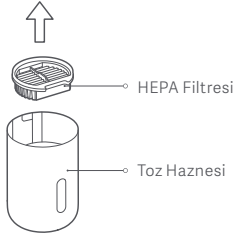
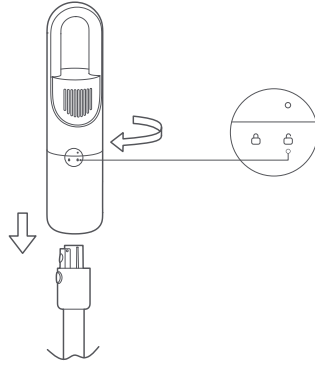
Bakım

Not: Bakım yapmadan veya süpürgeyi temizlemeden önce elektrikli süpürgeyi kapatın ve fişten çıkarın.

- Tıkanmaya neden olabilecek veya emiş gücünü etkileyecek bir toz birikmesini önlemek için toz haznesini düzenli olarak temizleyin.
- Tozların yere dökülmesini önlemek için, toz haznesini çıkarmak üzere hazneyi bir çöp kovasının üstünde tutun.

Toz Haznesinin Çıkartılması & Yerleştirilmesi

1. Süpürme işlemi bittikten sonra veya toz haznesi dolduğunda uzatma çubuğunu çıkartın ve toz haznesini resimde gösterilen yönde döndürün. "o" ile kilit açık sembolü "δ" aynı hizaya geldiğinde toz haznesi elektrikli süpürgeден çıkartılabilir.

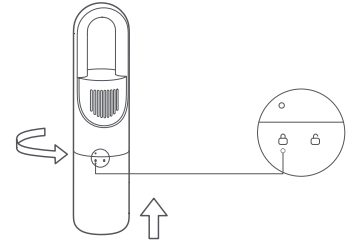


2. HEPA filtresini resimde gösterildiği şekilde toz haznesinden çıkartın ve ardından yüzeyindeki tozu temizleyin.



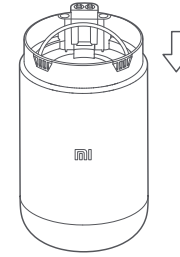
3. Siklon ayırıcıyı toz haznesinden çıkarmak için, siklon ayırıcı kulpunu çöp kovasının üzerindeki şekilde gösterildiği gibi çevirin. Toz haznesinin içindekileri boşaltın ve siklon ayırıcının yüzeyindeki tüm tozları temizleyin.

4. Temizlik işlemi tamamlandığında siklon ayırıcıyı ve HEPA filtresini tekrar toz haznesinin içine yerleştirin. "δ" ile kilit açık sembolünü "o" aynı hizaya getirin ve ardından toz haznesini şekilde gösterilen yönde, "o" ile kilitli sembolü "δ" aynı hizaya gelene kadar döndürün. Bir tıklama sesi duyduğunuzda, toz haznesi güvenli bir şekilde elektrikli süpürgeye takılmış demektir.



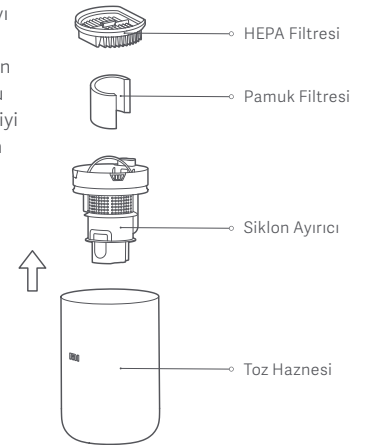
Siklon Ayırıcının Takılması

Toz haznesinin sonuna gelene kadar siklon ayırıcıyı aşağı doğru düz şekilde bastırın.



Toz Haznesi ve Filtre Takımının Temizlenmesi

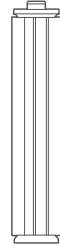
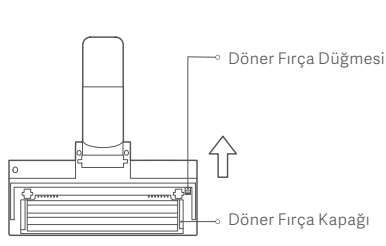
HEPA filtresi, pamuk filtresi ve siklon ayırıcıyı arka arkaya toz haznesinden çıkarın. Yüzeylerindeki tüm tozu temizleyin, ardından temiz suyla durulayın. Kullanmadan önce bu parçaların, doğrudan güneş ışığından uzak, iyi havalandırılan bir yerde iyice kurduğundan emin olun. Gerekmesi halinde filtreyi, belirtilen HEPA filtresi modeliyle değiştirebilirsiniz.



Döner Fırçanın Temizlenmesi

1. Döner fırça kapağını açmak için resimde gösterildiği gibi döner fırça düğmesine basın, ardından temizlemek için döner fırçayı dışarı çıkarın. Temizlendikten sonra, döner fırçayı geri koyun ve bir tıklama sesi duyana kadar kapağı kapatın.

2. Döner fırçaya takılmış saç ve ipleri kesin ve çıkarın.



- Elektrikli süpürgeyi temizlerken kuru bir bez kullanın. Benzin, alkol veya lake tineri gibi kimyasal çözücülerini kullanmayın, çünkü bunlar yüzeyin çatlamasına veya solmasına neden olacaktır.
- Temizlemeden veya bakım yapmadan önce elektrik süpürgesini kapattığınızdan emin olun.
- Toz haznesi dolduğunda lütfen hazneyi hemen boşaltın. Aksi takdirde kirden dolayı tıkanabilir, tıkanıklık emme performansını etkileyebilir ve motorun aşırı ısınmasına neden olabilir.
- HEPA filtresinin her 2-3 ayda bir değiştirilmesi önerilir. Eğer sık kullanıldıysa bu filtreyi daha sık aralıklarla değiştirmeniz gerekebilir.

Sorun Giderme

Sorun	Olası nedenler	Çözüm
Elektrikli süpürge çalışmıyor	<ol style="list-style-type: none">1. Pil seviyesi düşük.2. Elektrikli süpürge uzun süredir çalışıyordu ve bu yüzden aşırı ısınmıştır.3. Elektrikli süpürge açılmamıştır.4. Hava kanalı sekiz saniye boyunca tıkanmış durumda, aşırı ısınmayı önlemek için motor çalışmayı durduracaktır.5. Motor ya da pil zarar görmüş.	<ol style="list-style-type: none">1. Elektrikli süpürgeyi şarj edin.2. Elektrikli süpürgeyi soğutun, ardından tekrar kullanın.3. Elektrikli süpürgeyi açın.4. Hava kanalındaki, elektrikli zemin fırçasındaki, uzatma çubuğundaki ya da toz haznesindeki yabancı cisimleri temizleyin.5. Lütfen yardım için satış sonrası hizmet birimiyle irtibata geçin.
Emme seviyesi düşüyor	<ol style="list-style-type: none">1. Toz haznesi dolu.2. Elektrikli zemin fırçası yabancı cisimlerle tıkanmış.3. HEPA filtresi tıkanmış veya temizlikten sonra iyice kurulanmamış.	<ol style="list-style-type: none">1. Toz haznesinin içindekileri boşaltın.2. Elektrikli zemin fırçasındaki yabancı cisimleri temizleyin.3. HEPA filtresini temizleyin veya iyice kurutun.
Çıkan gürültü çok yüksek	<ol style="list-style-type: none">1. Toz haznesi dolu.2. Hava kanalı tıkalı.	<ol style="list-style-type: none">1. Toz haznesinin içindekileri boşaltın.2. Hava kanalındaki, elektrikli zemin fırçasındaki, uzatma çubuğundaki ya da toz haznesindeki yabancı cisimleri temizleyin.
Elektrikli zemin fırçası çalışırken duruyor	<ol style="list-style-type: none">1. Elektrikli zemin fırçası tıkanmış bu yüzden koruma için çalışmayı durduruyor.2. Elektrikli zemin fırçası güce takıldıktan sonra çalışmıyor.	<ol style="list-style-type: none">1. Elektrikli zemin fırçasının etrafına takılan nesnelere temizleyin.2. Lütfen yardım için satış sonrası hizmet birimiyle irtibata geçin.
Elektrikli süpürge şarj olmuyor.	<ol style="list-style-type: none">1. Güç adaptörü ve elektrik prizi iyice takılmamıştır.2. Güç adaptörü ve elektrikli süpürge şarj bağlantı noktası iyice takılmamıştır.3. Güç adaptörü hasar görmüştür.	<ol style="list-style-type: none">1. Güç adaptörünü sıkıca elektrik prizine takın.2. Güç adaptörünü güvenli bir şekilde şarj bağlantı noktası takın.3. Lütfen yardım için satış sonrası hizmet birimiyle irtibata geçin.
Pil düzeyi göstergesi bir beyaz bir kırmızı yanıp sönüyor.	Güç adaptörü elektrikli süpürge ile uyumlu değildir.	Elektrikli süpürgeyi şarj etmek için sadece paket içeriğindeki güç adaptörünü kullanın.

Not: Kullanım sırasında herhangi bir sorun ortaya çıkarsa, lütfen çözüm için yukarıdaki sorun giderme bölümüne bakın. Eğer sorun devam ederse lütfen hemen elektrikli süpürgeyi kullanmayı bırakın ve yardım için satış sonrası hizmet birimiyle irtibata geçin.

Belirtiler

Mi Hafif Elektrikli Süpürge			
Model	MJWXCQ03DY	Giriş Akımı	0,5 A
Toz Haznesi Kapasitesi	Yaklaşık 0,5 L	Net Ağırlık	Yaklaşık 2,3 kg
Ürün Boyutları	240 x 148 x 1132 mm	Giriş Voltajı	26,0 V ---
Pil Nominal Kapasitesi	2500 mAh	Gürültü Emisyonu	≤ 79 dB
Çalışma Gücü	220 W	Şarj Süresi	Yaklaşık 5 saat
Pil Kullanım Süresi (elektrikli zemin fırçası hariç)	Standart modda 45 dakika		
	Turbo modda 13 dakika		

Elektrikli Zemin Fırçası			
Model	MJWXCQ03DY-DS		
Çalışma Gücü	15 W	Çalışma Gerilimi	21,6 V ---

Güç Adaptörü			
Model	BLJ15W260050P-VA	Ortalama Aktif Verim	84,6 %
Giriş	100-240 V- 50/60 Hz 0,5 A	Düşük Yükte (%10) Verim	71,43 %
Çıkış	26,0 V --- 0,5 A 13,0 W	Yüksüz Güç Tüketimi	0,10 W
Üretici	Zhongshan Baolijin Electronic Co., Ltd.		



Bu sembolü taşıyan tüm ürünler, elektrikli ve elektronik ekipman atıklarıdır (2012/19/EU sayılı direktifte WEEE olarak belirtilmiştir) ve bunların sınıflandırılmamış evsel atıklarla birlikte atılmaması gerekir. Bunun yerine ekipman atıklarınızı, elektrikli ve elektronik ekipman atıklarının geri dönüşümü için devlet veya yerel makamlar tarafından belirlenmiş bir toplama noktasına teslim ederek insan sağlığını ve çevreyi korumanız gerekir. Doğru imha ve geri dönüşüm, çevre ve insan sağlığı üzerindeki olası olumsuz sonuçları önlemeye yardımcı olur. Söz konusu toplama noktaları ve bu tür toplama noktalarının koşulları ve şartları ile ilgili daha fazla bilgi için lütfen kurulumcuya veya yerel makamlara başvurun.

Pil Kullanımı İçin Uyarılar

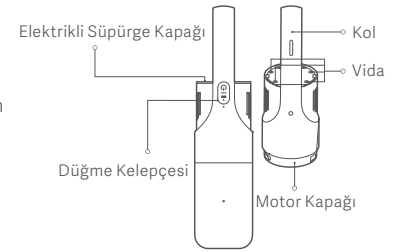
- Elektrikli süpürge bekleme modundadır ve şarj olurken kullanılamaz.
- Lityum iyon pil takımı çevreye zararlı maddeler içerir. Elektrikli süpürgeyi atmadan önce, lütfen ilk önce pil takımını çıkarın, ardından atın veya kullanıldığı ülkenin veya bölgenin yerel yasa ve yönetmeliklerine uygun olarak geri dönüştürün.

Not: Pil çıkartılmadan önce elektrikli süpürgeyi kapatılması gerekir.

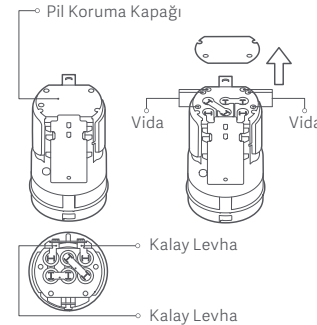
Pil güvenli bir yöntemle atılmalıdır.

Pil Nasıl Çıkartılır

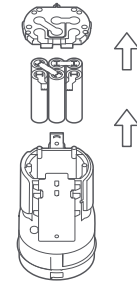
1. Açma/kapama düğmesini ve düğme kelepçesini çıkarmak için düz bir tornavida kullanın, ardından elektrikli süpürge kapağını yavaşça açmak için bir alet kullanın. Ardından, dört vidayı sökmek için bir tornavida kullanın. Daha sonra pil takımını ayırmak için, kolu ve motor kapağını çekebilirsiniz.



2. Pil koruma kapağını çıkarın, ardından kapağın üstündeki dört vidayı bir tornavidayla çıkartın. Pili ve PCB kartını birbirine bağlayan kalay levhayı kesmek için bir makas kullanın.



3. Üst kelepçeyi çıkardıktan sonra pil takımını alt kelepçeden çıkartılabilir. Ardından yerel kanun ve düzenlemelere uygun bir şekilde pili atabilirsiniz.



Інструкції з безпеки

Цей продукт призначений лише для домашнього використання. Уважно прочитайте цю інструкцію й збережіть її для подальшого використання.

- Цим приладом можуть користуватися діти віком від 8 років та старше, та особи зі знизженими фізичними, сенсорними чи розумовими можливостями або відсутністю досвіду та знань, під наглядом, чи згідно з інструкцією щодо безпечного використання приладу, та вони зрозуміли пов'язані з цим небезпеки. Діти не повинні гратися з приладом. Прибирання та користувацьке технічне обслуговування не повинне виконуватися дітьми без нагляду.
- Прилад слід використовувати лише з блоком живлення, що постачається разом з приладом.
- Цей пристрій містить батареї, які не є заміниними.
- Якщо адаптер живлення пошкоджений, його слід замінити оригінальним компонентом, придбаним у виробника або відділу післяпродажного обслуговування.
- Пилосос-це не іграшка. Діти не мають грати з цим виробом або користуватися ним. Будьте обережні, користуючись пилососом поблизу дітей. Не дозволяйте дітям чистити чи обслуговувати пилосос, якщо це не здійснюється під наглядом батьків чи опікунів.
- Використовуйте пилосос лише на сухих внутрішніх поверхнях. Не встановлюйте, не заряджайте та не використовуйте цей виріб на відкритому повітрі, наприклад у ванній кімнаті або біля басейну.
- Не торкайтесь штекера або будь-якої частини пилососу мокрими руками.
- Щоб зменшити ризик пожежі, вибуху або травм, перед використанням переконайтесь, що літій-іонний акумулятор та зарядний пристрій не пошкоджені. Не користуйтесь пилососом, якщо пошкоджено акумулятор або зарядний пристрій.
- Електрична щітка для підлоги, подовжувач та пилосос мають електропровідність і не повинні занурюватися у воду чи іншу рідину. Переконайтесь, що всі деталі ретельно висушені після очищення.
- Щоб запобігти пошкодженню рухомими частинами, перед очищенням електричної щітки для підлоги вимкніть пилосос. Електрична щітка для підлоги, відсік для пилу та фільтр повинні бути належним чином встановлені перед використанням пилососу.
- Не користуйтесь пилососом для збирання легкозаймистих або горючих рідин, таких як бензин, відбілювач, аміак або зливні миючі засоби; ані інші рідини, як вода.
- Не використовуйте пилосос для збирання частинок гіпсокартону, попелу, як зола каміна, а також матеріалів після паління або займистих, таких як вугілля, недопалки або сірники.

- Не використовуйте пилосос для збирання гострих або твердих предметів, таких як скло, цвяхи, гвинти або монети, які можуть пошкодити виріб.
- Тримайте волосся, вільний одяг, пальці та інші частини тіла подалі від отворів та рухомих частин пилососу. Не спрямовуйте всмоктувальний отвір, подовжувач або інші аксесуари на очі чи вуха і не кладіть їх у рот.
- Не кладіть будь-які предмети у отвори пилососу і не використовуйте пилосос із заблокованим отвором. Не допускайте потрапляння пилу, ворсу, волосся та інших предметів, які можуть зменшити потік повітря.
- Не притуляйте пилосос до стільця, столу чи інших нестійких поверхонь, оскільки це може спричинити пошкодження виробу або травмування. Якщо пилосос несправний через його забиття або пошкодження, зверніться до уповноваженого сервісного відділу. Ніколи не намагайтеся самостійно розбирати пилосос.
- Використовуйте оригінальний зарядний пристрій лише для заряджання виробу в середовищі з температурою навколишнього середовища від 0 °C до 35 °C. В іншому випадку акумулятор можна пошкодити.
- Кришка відсіку для пилу, пре-фільтр, вузол циклону та HEPA-фільтр повинні бути належним чином встановлені перед використанням пилосос.
- Переконайтесь, що пилосос відключений від електромережі, коли він не використовується протягом тривалого періоду часу, а також перед виконанням будь-якого технічного обслуговування чи ремонту.
- Будьте обережні, використовуючи пилосос для чищення сходів.
- **ПОПЕРЕДЖЕННЯ.** Не наносіть на фільтр пилососу будь-які ароматизатори. Відомо, що ці типи продуктів містять легкозаймисті хімікати, які можуть спричинити загоряння пилососу.
- НЕ підносити прилад до вогню, оскільки це може спричинити вибух.
- НЕ виставляйте та не занурюйте прилад у воду, солону воду або інші рідини.
- Будь ласка, чітко дотримуйтесь інструкцій у цьому посібнику користувача під час користування пилососом. Користувачі несуть відповідальність за будь-які втрати або пошкодження, які можуть виникнути внаслідок неправильного використання пилососом.



Ми, компанія Guangdong Deerma Technology Co., Ltd., заявляємо, що це обладнання відповідає застосовним директивам, європейським стандартам і поправкам до них. Повний текст заяви для ЄС про відповідність наведено в Інтернеті за такою адресою: <http://www.mi.com/global/service/support/declaration.html>

Опис продукту

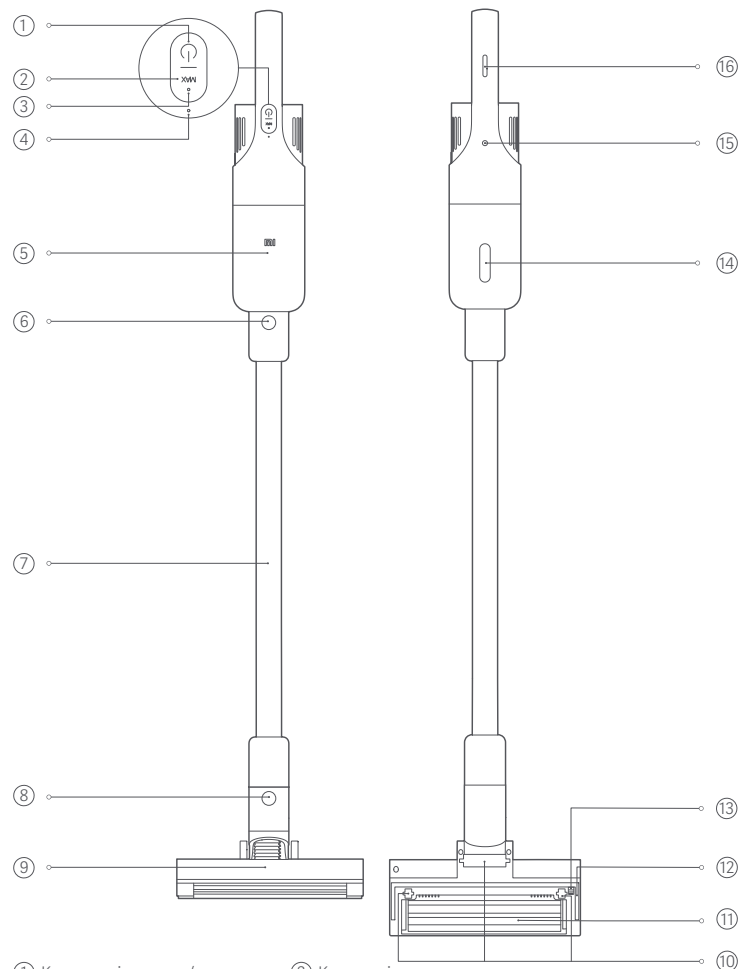
Легка версія пилососу Мі обладнана високошвидкісним безколекторним двигуном і має такі функції, яке потужне всмоктування та високоефективна система фільтрації.

- Високошвидкісний безколекторний двигун: Працює швидко, має стабільну вихідну потужність у вигляді сильного всмоктування для швидкого прибирання пилососом.
- Потужне всмоктування: Швидке високоефективне всмоктування дрібних і великих часток для ґрунтового прибирання всього будинку.
- Високоефективна фільтрація: Система циклонного сепаратора, яка містить дрібну сталеву сітку, фільтрувальну бавовну й високоефективний повітряний фільтр HEPA розділяє пил, який містить великі частки, й пил, який містить дрібні частки, потім утримує пил таким чином, щоб він не повертався назовні, запобігаючи таким чином вторинному забрудненню.
- Легкий і багатощільовий: Портативний і легкий пилосос працює з такими аксесуарами, як легкий металевий подовжувальний стрижень, електрична щітка для полу, пласка насадка й довга насадка для легкого й ефективного прибирання всієї домівки.

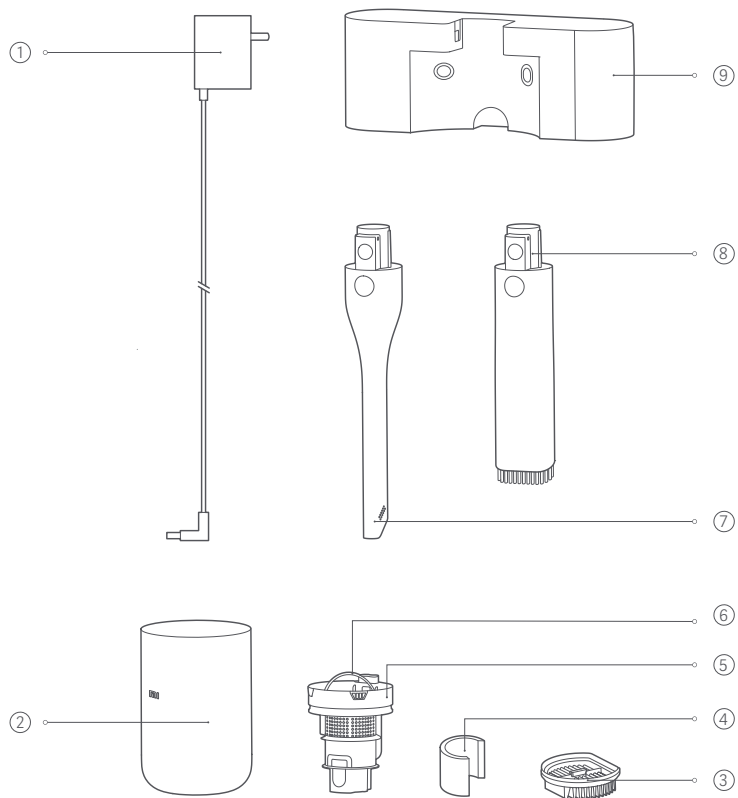
Комплект постачання

Назва	Кількість
Пилосос	1
Подовжувальний стрижень	1
Електрична щітка для полу	1
Пласка насадка	1
Довга насадка	1
Посібник користувача	1
Настінний кронштейн	1
Адаптер живлення	1
Дюбель	2
Гвинт	2

Опис продукту



- ① Кнопка увімкнення/вимкнення
- ② Кнопка рівня всмоктування
- ③ Індикатор MAX
- ④ Індикатор рівня заряду акумулятора
- ⑤ Відсік для пилу
- ⑥ Кнопка вивільнення подовжувального стрижня
- ⑦ Подовжувальний стрижень
- ⑧ Кнопка вивільнення електричної щітки для полу
- ⑨ Вікно щітки для полу
- ⑩ Коліщата
- ⑪ Роликова щітка
- ⑫ М'яка щітка для очищення
- ⑬ Кнопка роликової щітки
- ⑭ Вікно відсіку для пилу
- ⑮ Порт для заряджання пилососу
- ⑯ Протиковзка стрічка

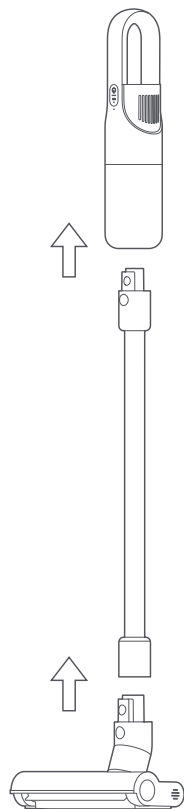


- | | | |
|---------------------|-----------------------|-------------------------------|
| ① Адаптер живлення | ② Відділення для пилу | ③ HEPA-фільтр |
| ④ Бавовняний фільтр | ⑤ Циклонний сепаратор | ⑥ Ручка циклонного сепаратора |
| ⑦ Довга насадка | ⑧ Пласка насадка | ⑨ Настінний кронштейн |

Інструкція зі встановлення

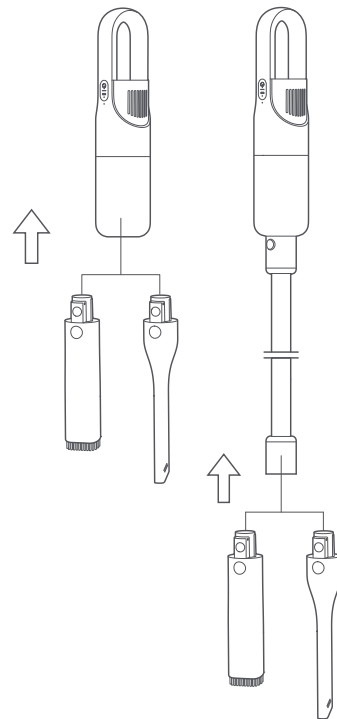
Збірка пирососу

1. Під'єднайте подовжувальний стрижень до пирососу, як показано на ілюстрації, доки не почуєте клацання.
2. Під'єднайте електричну щітку для полу до подовжувального стрижня, як показано на ілюстрації, доки не почуєте клацання.



Встановлення аксесуарів

1. Довга насадка й пласка насадка можуть під'єднуватися безпосередньо до пирососу або до подовжувального стрижня.
 2. Вставте довгу насадку або пласку насадку в пиросос або подовжувальний стрижень вертикально, як показано на ілюстрації, доки не почуєте клацання.
- Примітка. Довга насадка підходить для прибирання пилу з вузьких щілин, таких як двері, вікна, сходи та кути. Пласка насадка ідеально підходить для прибирання пилу з диванів, шаф, а також поверхонь столу або консолей.

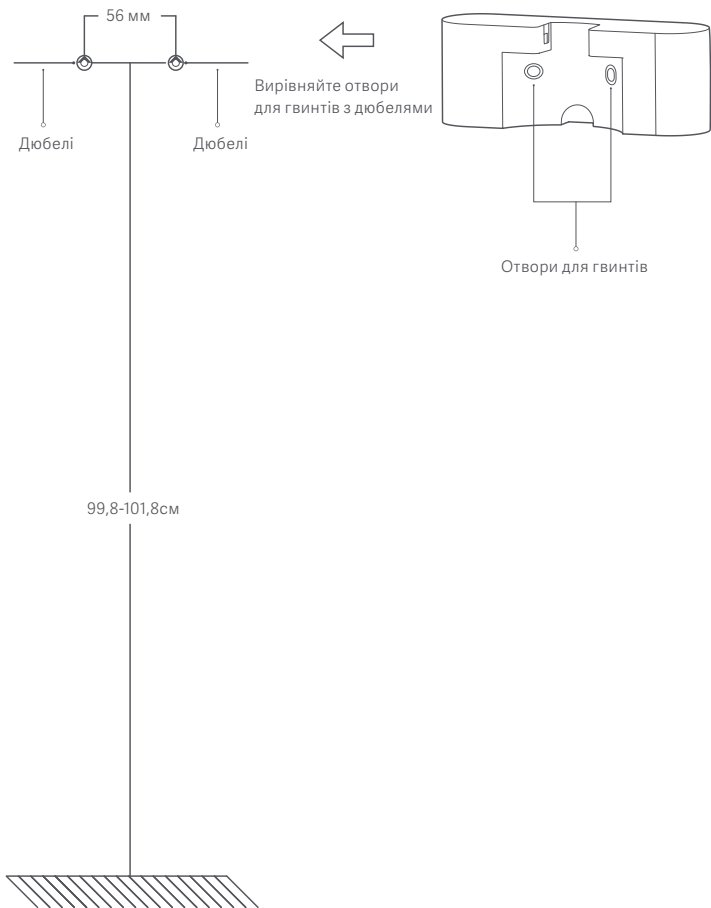


Закріплення настінного кронштейну

1. Просвердліть у стіні два отвори діаметром 6 мм кожен на висоті 99,8–101,8 см над підлогою. Між двома отворами обов'язково має бути відстань 56 мм. Потім вставте в ці отвори два дюбеля.

2. Вирівняйте отвори для гвинтів у настінному кронштейні з дюбелями, потім за допомогою двох гвинтів (4 × 20 мм) міцно закріпіть настінний кронштейн на стіні.

Примітка. Рекомендується встановлювати кронштейн для стіни біля електричної розетки, щоб виріб можна було легко підключити до джерела живлення.

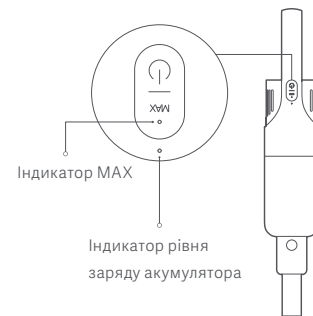


Інструкція

• Увімкнення / вимкнення: Натисніть і утримуйте кнопку увімкнення / вимкнення протягом 1 секунди, після чого пилосос почне працювати, і за замовчуванням він працює в стандартному режимі. Повторно натисніть кнопку увімк./вимк., щоб зупинити пилосос.

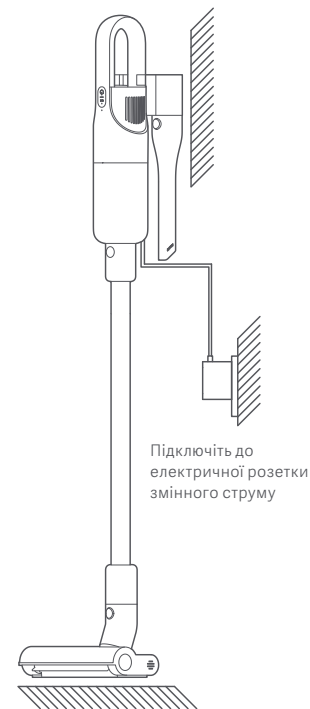
• Режим перемикання: Коли пилосос працює, натисніть кнопку рівня всмоктування, щоб переключити на режим турбо (рівень MAX); у цей час індикатор MAX світитиметься білим. Натисніть кнопку рівня всмоктування повторно, щоб переключити пристрій на стандартний режим.

• Індикатор рівня заряду акумулятора: Коли рівня заряду акумулятора достатньо, індикатор рівня заряду акумулятора є білим. Коли пилосос працює на низькому рівні заряду батареї, індикатор червоний; якщо це так, пилосос не можна переводити в турборежим. Коли батарея розряджається, пилосос автоматично вимикається.



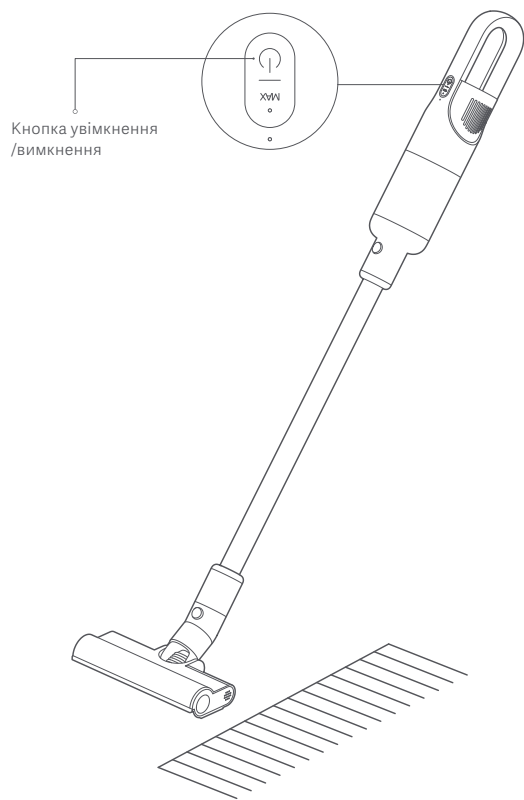
Метод заряджання

1. До заряджання переконайтеся в тому, що адаптер живлення належним чином підключено до електричного роз'єму та пилососу.
2. Під час зарядки відбувається пульсація індикатора рівня заряду акумулятора. Після повного заряджання батареї індикатор рівня заряду вимикається.
3. Якщо ви заряджаєте пилосос, коли батарея повністю заряджена, індикатор рівня заряду батареї буде дихати 20 секунд, а потім вимкнеться.



Увімкнення/вимкнення й прибирання пилососом

- Натисніть і утримуйте кнопку увімкнення / вимкнення протягом 1 секунди, після чого пилосос почне працювати, і за замовчуванням він працює в стандартному режимі. Ви можете перемикаєти режим за потреби.
- Тримайте ручку пилососа й переміщуйте її вперед-назад, щоб виконувати прибирання та очищення підлоги за допомогою щітки для підлоги. Ви також можете скористатися довгою насадкою або пласкою насадкою, залежно від своїх потреб.
- Повторно натисніть кнопку увімк./вимк., щоб зупинити пилосос.



Коли пилосос працює

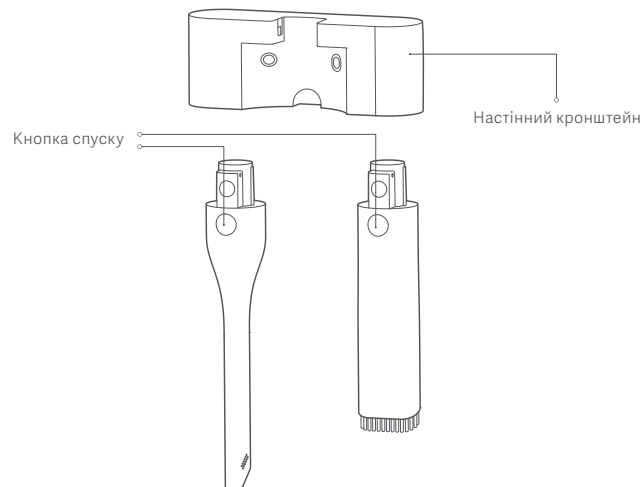
- При низькому рівні заряду акумулятора індикатор рівня заряду акумулятора блимає червоним. Це означає що слід скоро зарядити пилосос. Якщо пилосос працює в стандартному режимі, його не можна перемкнути в режим турбо.
- Якщо його вчасно не зарядити, напруга акумулятора сильно знизиться. В цей час пилосос автоматично вимикається, щоб захистити акумулятор.
- Якщо пилосос вимикається через те, що закінчився заряд акумулятора, своєчасно виконайте заряджання. У іншому разі може виникнути пошкодження акумулятора через надмірну зарядку, якщо прилад не використовувався довгий час.

Примітки

- При купівлі пилососа акумулятор заряджено невеликою кількістю енергії. Рекомендується підключити адаптер живлення і повністю зарядити пилосос до його першого використання.
- Пилососом не можна користуватися під час заряджання.

Зберігання аксесуарів

Коли аксесуари не використовуються, їх можна зберігати на настінному кронштейні. Вертикально вставте довгу насадку або пласку насадку в настінний кронштейн, доки не почуєте клацання, при цьому кнопку вивільнення як напрямк показано на рисунку. Щоб зняти аксесуари із настінного кріплення, натисніть кнопку розблокування та одночасно потягніть їх вертикально вниз.



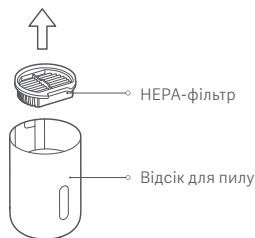
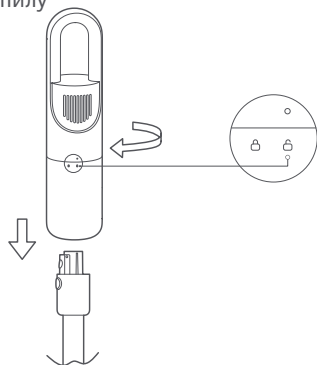
Догляд і технічне обслуговування

Примітка. До очищення або виконання операцій із технічного обслуговування пилососу вимкніть його й витягніть вилку з розетки.

- Регулярно виконуйте очищення відсіку для пилу, щоб уникнути накопичення великої кількості пилу, яка може призвести до закупорювання та вплинути на всмоктування.
- Щоб не допустити падіння пилу на підлогу, при видаленні відсіку для пилу з приладу тримайте його над кошиком для сміття.

Видалення та встановлення відсіку для пилу

1. Після прибирання за допомогою пилососу або коли відсік для пилу заповнений, витягніть подовжувальний стрижень і повертайте відсік для пилу в напрямку, показаному на рисунку. Коли «о» вирівняється відносно символу розблокування «Ф», відсік для пилу можна видалити з пилососу.

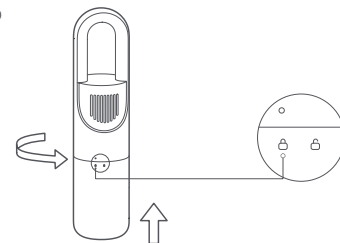


2. Витягніть фільтр HEPA з відсіку для пилу, яку показано на рисунку, потім видаліть пил із поверхні.



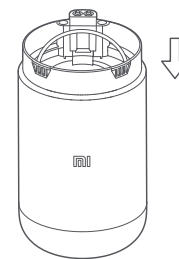
3. Різко повернувши ручку циклонного сепаратора над сміттевим баком, щоб витягти циклонний сепаратор із відділення для пилу, як показано на малюнку. Випорожніть вміст у відділення для пилу та видаліть пил з поверхні циклонного сепаратора.

4. Встановіть циклонний сепаратор і фільтр HEPA назад у відсік для пилу, коли очищення буде завершено. Вирівняйте символ розблокування «Ф» відносно «о», потім повертайте відсік для пилу в напрямку, показаному на рисунку, доки «о» не вирівняється відносно символу блокування «Ф». Коли почуєте клацання, це означає, що відсік для пилу міцно встановлено в пилососі.



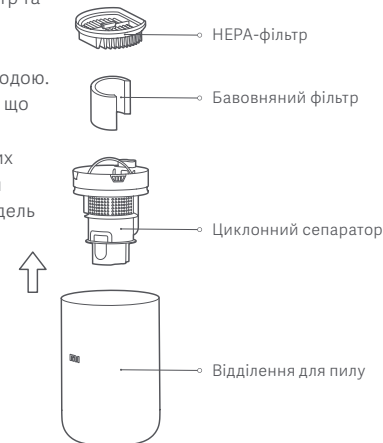
Встановлення циклонного сепаратора

Натискайте циклонний сепаратор прямо вниз, поки він не досягне кінця відділення для пилу.



Очищення відділення для пилу та фільтра в зборі

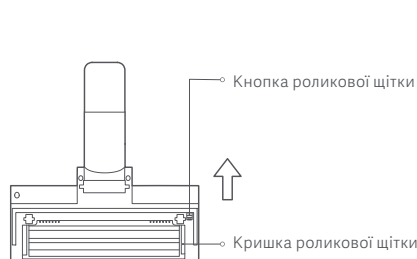
Вийміть HEPA-фільтр, бавовняний фільтр та циклонний сепаратор послідовно з відділення для пилу. Видаліть пил з їх поверхні, а потім промийте їх чистою водою. Перед використанням переконайтеся, що вони ретельно висушені у добре провітрюваному місці подалі від прямих сонячних променів. За необхідності ви можете замінити фільтр на вказану модель HEPA-фільтра.



Очищення роликів щітки

1. Натисніть кнопку роликів щітки, як показано на рисунку, щоб відкрити кришку роликів щітки, потім витягніть ролик щітки для її очищення. Після очищення встановіть ролик щітки на місце й закрийте кришку, доки не почуєте клацання.

2. Зріжте волосся і волокна, прикріплені до роликів щітки, і видаліть їх.



- При очищенні пилососа користуйтеся сухою тканиною. Не використовуйте хімічні розчинники, такі як бензин, спирт або розчинник лаку, оскільки ці речовини призведуть до розтріскування оболонки або втрати нею кольору.
- Обов'язково вимкніть пилосос перед чищенням або технічним обслуговуванням.
- При заповненні відсіку для пилу негайно спорожніть його. У іншому разі він може бути заблокований брудом, що вплине на продуктивність всмоктування та призведе до перегрівання двигуна.
- Рекомендується замінювати фільтр HEPA кожні 2–3 місяці. У разі інтенсивнішого використання вам може знадобитися замінювати його частіше.

Вирішення проблем

Проблема	Можлива причина	Рішення
Пилосос не працює.	<ol style="list-style-type: none">1. Низький рівень заряду акумулятора.2. Пилосос працює довгий час і тому перегрівається.3. Живлення пилососу не увімкнено.4. Якщо повітропровід буде засмічений протягом восьми секунд, двигун перестане працювати, щоб захиститися від перегріву.5. Двигун або акумулятор пошкоджено.	<ol style="list-style-type: none">1. Виконайте заряджання пилососу.2. Дозвольте пилососу охолонути, потім використовуйте знов.3. Увімкніть живлення пилососу.4. Очистіть сторонні предмети в повітропроводі, електричній щітці для полу, подовжувальному стрижні або відсіку для пилу.5. Звертайтеся по допомогу до відділу післяпродажного обслуговування.
Зменшується рівень всмоктування.	<ol style="list-style-type: none">1. Відсік для пилу заповнений.2. Електрична щітка для полу заблокована сторонніми предметами.3. Фільтр HEPA заблоковано або не було повністю висушено після очищення.	<ol style="list-style-type: none">1. Спорожніть вміст відсіку для пилу.2. Видаліть сторонні предмети в електричній щітці для полу.3. Виконайте очищення або ретельне висушування фільтра HEPA.
Шум занадто гучний.	<ol style="list-style-type: none">1. Відсік для пилу заповнений.2. Повітропровід закупорено.	<ol style="list-style-type: none">1. Спорожніть вміст відсіку для пилу.2. Очистіть сторонні предмети в повітропроводі, електричній щітці для полу, подовжувальному стрижні або відсіку для пилу.
Електрична щітка для полу перестає працювати.	<ol style="list-style-type: none">1. Електрична щітка для полу закупорена й припинила працювати, як запобіжний засіб.2. Електрична щітка для полу не працює після ввімкнення живлення.	<ol style="list-style-type: none">1. Видаліть сторонні предмети, що заплуталися в електричній щітці для полу.2. Звертайтеся по допомогу до відділу післяпродажного обслуговування.
Пилосос не вдається зарядити.	<ol style="list-style-type: none">1. З'єднання між адаптером живлення та електричною розеткою не є належним.2. З'єднання між адаптером живлення та портом для заряджання пилососу не є належним.3. Адаптер живлення пошкоджено.	<ol style="list-style-type: none">1. Міцно вставте адаптер живлення в електричну розетку.2. Надійно з'єднайте адаптер живлення із портом для заряджання.3. Звертайтеся по допомогу до відділу післяпродажного обслуговування.
Індикатор рівня заряду акумулятора блимає червоним і білим поперемінно.	Адаптер живлення не сумісний із пилососом.	Для заряджання пилососу користуйтеся лише адаптер живлення, який входить у комплект постачання.

Примітка. У разі виникнення під час використання будь-якої проблеми див. рішення в наведеній вище інформації про пошук і виправлення несправностей. Якщо проблема не вирішується, негайно припиніть використання пилососу та зверніться по допомогу до відділу післяпродажного обслуговування.

Характеристики

Легка версія пилососу Mi			
Модель	MJWCXQ03DY	Вхідний струм	0,5 А
Ємність відсіку для пилу	Приблизно 0,5 л	Вага нетто	Приблизно 2,3 кг
Розміри виробу	240 × 148 × 1132 мм	Виділення шуму	≤79 дБ
Номінальна ємність батареї	2500 мАч	Вхідна напруга	26,0 В ---
Робоча Потужність	220 Вт	Час заряджання	Приблизно 5 годин
Ресурс експлуатації акумулятора (за винятком електричної щітки для полу)	45 хвилин у стандартному режимі		
	13 хвилин у режимі турбо		

електричної щітки для полу			
Модель	MJWCXQ03DY-DS		
Робоча Потужність	15 Вт	Робоча напруга	21,6 В ---

електричної щітки для полу			
Модель	BLJ15W260050P-VA	Середній ККД активного режиму	84,6 %
Вхід	100-240 В- 50/60 гц 0,5 А	ККД при низькому навантаженні (10 %)	71,43 %
Вихід	26,0 В--- 0,5 А 13,0 Вт	Споживання енергії без навантаження	0,10 Вт
Виробник	Zhongshan Baolijin Electronic Co., Ltd.		



Усі продукти, позначені цим символом, вважаються відходами електричного та електронного обладнання (WEEE відповідно до директиви 2012/19/EU), які слід утилізувати окремо від несортованих побутових відходів. Щоб захистити здоров'я людей і навколишнє середовище, потрібно здавати непрацююче обладнання до спеціалізованих пунктів збору, визначених державними або місцевими органами влади, для подальшої переробки. Правильна утилізація та переробка допоможуть запобігти негативним наслідкам для навколишнього середовища та здоров'я людей. За додатковою інформацією про розташування та умови роботи подібних пунктів збору звертайтеся до компанії, яка виконала встановлення, або до місцевих органів влади.

Правила безпеки при використанні акумулятора

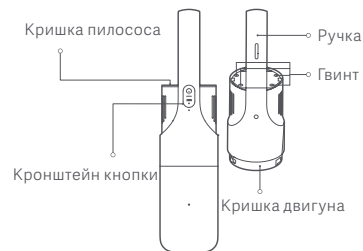
- Пилосос перебуває в режимі очікування й не підлягає використанню протягом заряджання.
- Літєвий акумуляторний блок містить речовини, небезпечні для навколишнього середовища. Перш ніж утилізувати пилосос, спершу дістаньте акумуляторний блок, потім викиньте його або переробіть відповідно до місцевих законів та норм країни чи регіону, в якому він використовується.

Примітка. До видалення акумулятора необхідно вимкнути пилосос.

Акумулятор слід утилізувати безпечним способом.

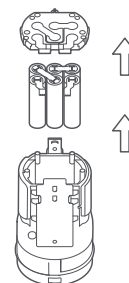
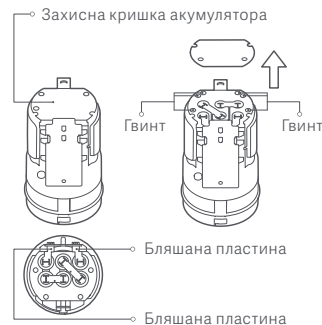
Як видалити акумулятор

1. За допомогою прямої викрутки видаліть кнопку увімкнення/вимкнення й кронштейн кнопки, потім за допомогою інструмента відкрийте кришку пилососа. Далі за допомогою викрутки вигвинтіть чотири гвинти. Потім ви можете потягнути за ручку й кришку двигуна, щоб відокремити акумуляторну батарею.



2. Видаліть захисну кришку акумулятора, потім вигвинтіть чотири гвинти на кришці за допомогою викрутки. За допомогою ножиць розріжте жестиану пластину, що з'єднує акумулятор і друковану плату.

3. Після видалення верхнього кронштейну можна зняти акумуляторну батарею з нижнього кронштейну. Після цього можна утилізувати акумулятор відповідно до місцевого законодавства й нормативно-правових актів.



Manufactured for: Xiaomi Communications Co., Ltd.

Manufactured by: Guangdong Deerma Technology Co., Ltd.

(a Mi Ecosystem company)

Address: No.4-1 Longhui Road, Malong Village Committee, Beijiao Town, Shunde District,
Foshan City, Guangdong Province, China

For further information, please go to www.mi.com

Hergestellt für: Xiaomi Communications Co., Ltd.

Hersteller: Guangdong Deerma Technology Co., Ltd.

(ein Unternehmen von Mi Ecosystem)

Adresse: No.4-1 Longhui Road, Malong Village Committee, Beijiao Town, Shunde District,
Foshan City, Guangdong Province, China

Weitere Informationen finden Sie auf www.mi.com

Fabbricato per: Xiaomi Communications Co., Ltd.

Fabbricato da: Guangdong Deerma Technology Co., Ltd.

(un'azienda del Mi Ecosystem)

Indirizzo: No.4-1 Longhui Road, Malong Village Committee, Beijiao Town, Shunde District,
Foshan City, Guangdong Province, China

Per ulteriori informazioni, visitare il sito www.mi.com

Fabriqué pour : Xiaomi Communications Co., Ltd.

Fabricant : Guangdong Deerma Technology Co., Ltd.

(une société Mi Ecosystem)

Indirizzo: No.4-1 Longhui Road, Malong Village Committee, Beijiao Town, Shunde District,
Foshan City, Guangdong Province, China

Pour plus d'informations, rendez-vous sur www.mi.com

Fabriqué pour : Xiaomi Communications Co., Ltd.

Fabricant : Guangdong Deerma Technology Co., Ltd.

(une société Mi Ecosystem)

Indirizzo: No.4-1 Longhui Road, Malong Village Committee, Beijiao Town, Shunde District,
Foshan City, Guangdong Province, China

Pour plus d'informations, rendez-vous sur www.mi.com

Fabricado para: Xiaomi Communications Co., Ltd.

Fabricado por: Guangdong Deerma Technology Co., Ltd.

(una empresa Mi Ecosystem)

Dirección: No.4-1 Longhui Road, Malong Village Committee, Beijiao Town, Shunde District,
Foshan City, Guangdong Province, China

Para obtener más información, visite www.mi.com

Wyprodukowano dla: Xiaomi Communications Co., Ltd.

Producent: Guangdong Deerma Technology Co., Ltd.

(spółka Mi Ecosystem)

Adres: No.4-1 Longhui Road, Malong Village Committee, Beijiao Town, Shunde District,
Foshan City, Guangdong Province, China

Więcej informacji: www.mi.com

Şu şirket için üretildi: Xiaomi Communications Co., Ltd.

Üretici: Guangdong Deerma Technology Co., Ltd.

(spółka Mi Ecosystem)

Adres: No.4-1 Longhui Road, Malong Village Committee, Beijiao Town, Shunde District,
Foshan City, Guangdong Province, China

Daha fazla bilgi için lütfen www.mi.com'u ziyaret edin

Виготовлено для: Xiaomi Communications Co., Ltd.

Виробник: Guangdong Deerma Technology Co., Ltd.

(spółka Mi Ecosystem)

Адреса: No.4-1 Longhui Road, Malong Village Committee, Beijiao Town, Shunde District,
Foshan City, Guangdong Province, China

Щоб дізнатися більше, відвідайте сайт www.mi.com